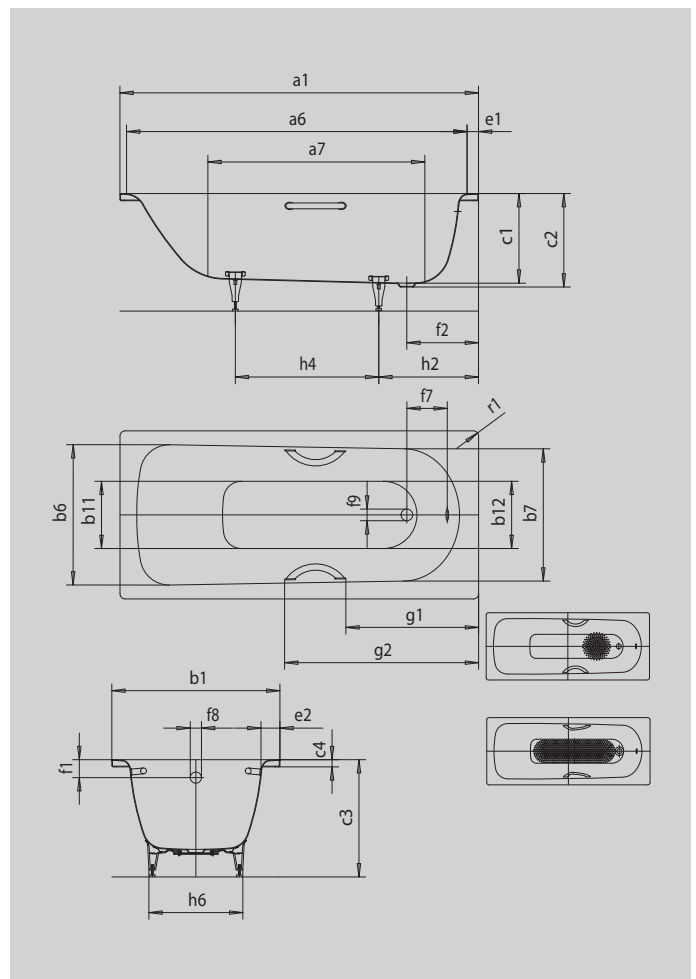


SANIFORM PLUS SANIFORM PLUS STAR

- Single-seat bath with waste positioned at the foot end
- Classic four-cornered model
- Also available with grips
- Made of KALDEWEI steel enamel



Similar illustration



UNIVERSAL GRIP TYPE A



Model		363-1
External length [mm]	a_1	1700 mm
Internal length (top) [mm]	a_6	1530 mm
Internal length (bottom) [mm]	a_7	1150 mm
External width [mm]	b_1	700 mm
Internal width (top) [mm]	$b_6; b_7$	550; 530 mm
Internal width (bottom) [mm]	$b_{11}; b_{12}$	390; 350 mm
Depth inside [mm]	c_1	400 mm
Depth incl. waste hole [mm]	c_2	410 mm
Height with feet [mm]	c_3	545 - 560 mm
Height of rim [mm]	c_4	32 mm
Width of rim (foot end; long side) [mm]	$e_1; e_2$	70; 75 mm
Distance top edge to centre of overflow hole [mm]	f_1	63 mm
Distance bath edge to centre of waste hole [mm]	f_2	310 mm
Distance centre of waste hole to centre of overflow hole [mm]	f_7	212 mm
Diameter of overflow hole [mm]	f_3	Ø 52 mm
Diameter of waste hole [mm]	f_9	Ø 52 mm
Distance foot end of bath edge to centre of foot [mm]	h_2	450 mm
Distance between the feet [mm]	h_4	740 mm
Width of feet max. [mm]	h_8	380 mm
External radius [mm]	r_1	8 mm
Water volume [l]		111 l
Net weight [kg]		41 kg
Diameter of anti-slip [mm]		Ø 288 mm
Full anti-slip		850 x 240 mm

Subject to technical alterations, tolerances and errors. Similar illustration. 70 litres displacement on average.

KALDEWEI