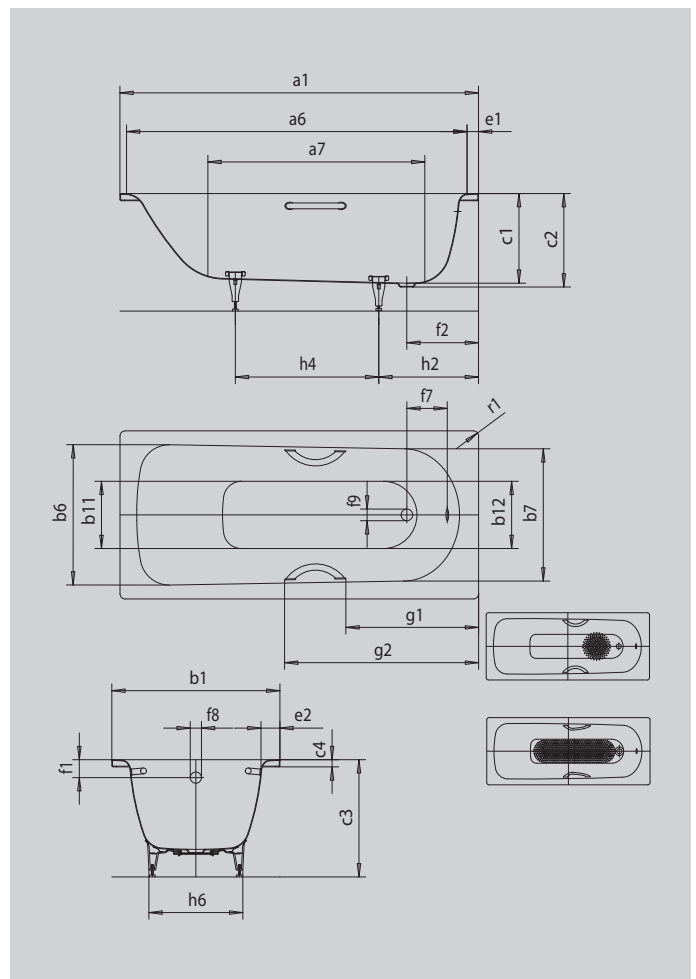


SANIFORM PLUS SANIFORM PLUS STAR

- Single-seat bath with waste positioned at the foot end
- Classic four-cornered model
- Also available with grips
- Made of KALDEWEI steel enamel



Similar illustration



UNIVERSAL GRIP TYPE A



| Model | | 362-1 |
|---|---------------------|--------------|
| External length [mm] | a_1 | 1600 mm |
| Internal length (top) [mm] | a_6 | 1430 mm |
| Internal length (bottom) [mm] | a_7 | 1050 mm |
| External width [mm] | b_1 | 700 mm |
| Internal width (top) [mm] | b_6 ; b_7 | 550; 530 mm |
| Internal width (bottom) [mm] | b_{11} ; b_{12} | 390; 350 mm |
| Depth inside [mm] | c_1 | 400 mm |
| Depth incl. waste hole [mm] | c_2 | 410 mm |
| Height with feet [mm] | c_3 | 545 - 560 mm |
| Height of rim [mm] | c_4 | 32 mm |
| Width of rim (foot end; long side) [mm] | e_1 ; e_2 | 70; 75 mm |
| Distance top edge to centre of overflow hole [mm] | f_1 | 63 mm |
| Distance bath edge to centre of waste hole [mm] | f_2 | 310 mm |
| Distance centre of waste hole to centre of overflow hole [mm] | f_7 | 212 mm |
| Diameter of overflow hole [mm] | f_3 | Ø 52 mm |
| Diameter of waste hole [mm] | f_9 | Ø 52 mm |
| Distance foot end of bath edge to centre of foot [mm] | h_2 | 450 mm |
| Distance between the feet [mm] | h_4 | 600 mm |
| Width of feet max. [mm] | h_8 | 380 mm |
| External radius [mm] | r_1 | 8 mm |
| Water volume [l] | | 93 l |
| Net weight [kg] | | 39 kg |
| Diameter of anti-slip [mm] | | Ø 288 mm |
| Full anti-slip | | 600 x 220 mm |

Subject to technical alterations, tolerances and errors. Similar illustration. 70 litres displacement on average.

KALDEWEI