

NIMBUS 18/10 STAINLESS STEEL INSET SINK

NIM1052/



Size: 1000 x 500 mm

Size: 1000 mm x 500 mm

Featuring striking lines resembling that of a sunburst, which is paired with a highly polished finish to its surface, Nimbus truly is an eye catching collection.

- Manufactured from 18/10 Stainless Steel
- Large overall size measuring 1000 x 500mm
- Includes generous deep main bowls for washing pots and pans that struggle to fit into a dishwasher
- Reversible Drainer
- Polished Finish
- 10 year warranty

Waste kit sold separately, please order WAST04/

Material	18/10 Stainless Steel
Material Gauge	0.8
Material Finish Bowl	Polished
Material Finish Drainer	Polished
Drainer Position	Reversible
Overall Length (mm)	1000
Overall Width (mm)	500
Main Bowl Length (mm)	350
Main Bowl Width (mm)	415
Main Bowl Depth (mm)	190
Second Bowl Length (mm)	160
Second Bowl Width (mm)	285
Second Bowl Depth (mm)	120
Tap hole Size (mm)	1 x 35
Waste Size (mm)	2 x 90
Waste Kit	Waste kit sold separately, please order WAST04/
Min. Base Unit (mm)	650
Cutout Size Length (mm)	974
Cutout Size Width (mm)	474
Warranty Sinks (years)	10
Product Code	NIM1052/
Barcode	5015834051833

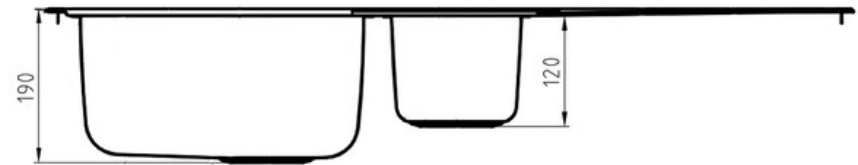
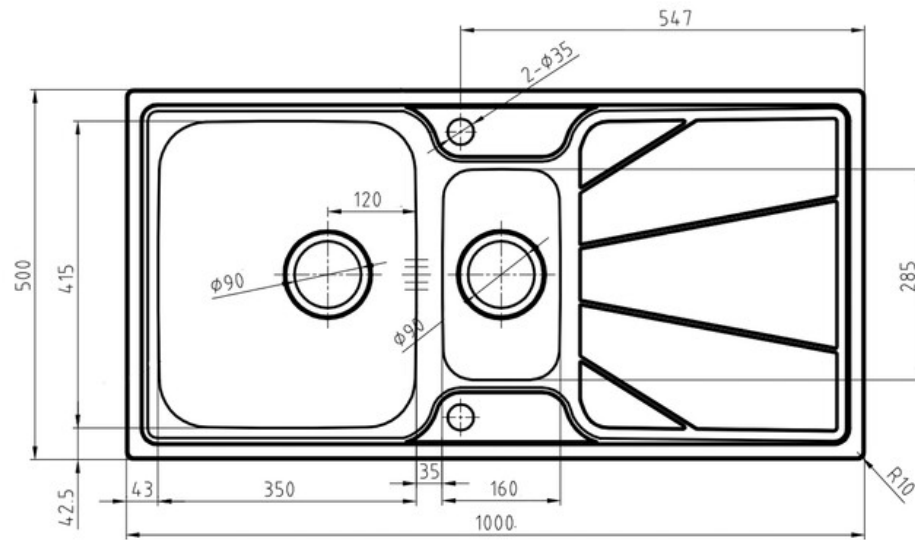
Date of download: July 24, 2023

AGA Rangemaster continuously seeks improvements in specification, design and production of products and thus, alterations take place periodically. Whilst every effort is made to produce up-to date resources, the information included here is intended as a guide. Always refer to the product's installation instructions when fitting, installation work should be completed a professional tradesman.

NIMBUS 18/10 STAINLESS STEEL INSET SINK

NIM1052/

Technical Drawing



Date of download: July 24, 2023

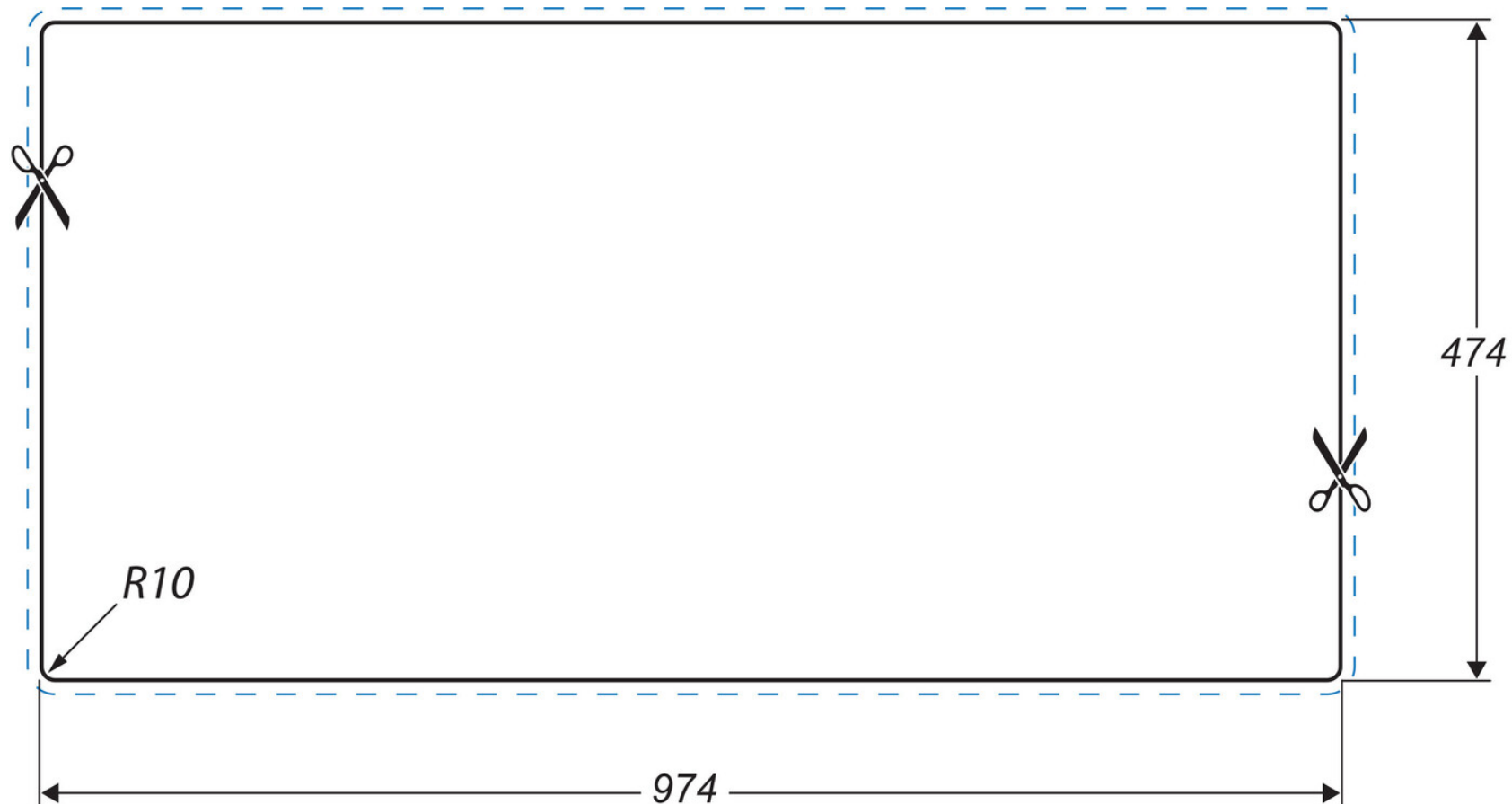
AGA Rangemaster continuously seeks improvements in specification, design and production of products and thus, alterations take place periodically. Whilst every effort is made to produce up-to date resources, the information included here is intended as a guide. Always refer to the product's installation instructions when fitting, installation work should be completed a professional tradesman.

NIMBUS 18/10 STAINLESS STEEL INSET SINK

NIM1052/

Cut Out Template

Dimensions in mm. Not to scale.



Date of download: July 24, 2023

AGA Rangemaster continuously seeks improvements in specification, design and production of products and thus, alterations take place periodically. Whilst every effort is made to produce up-to-date resources, the information included here is intended as a guide. Always refer to the product's installation instructions when fitting, installation work should be completed a professional tradesman.