

NIMBUS 18/10 STAINLESS STEEL INSET SINK

NIM1052/TWN1



Size: 1000 x 500 mm

Featuring striking lines resembling that of a sunburst, which is paired with a highly polished finish to its surface, Nimbus truly is an eye catching collection.

- Complete pack: includes sink, tap and compatible waste kit
- Sink features a reversible drainer in a polished finish
- Sink is manufactured from 18/10 stainless steel
- Dual lever tap in chrome finish
- WRAS approved tap
- Basket strainer waste and overflow kit included
- 10 year warranty for sink, 5 year warranty for tap

Material	18/10 Stainless Steel
Material Gauge	0.8
Material Finish Bowl	Polished
Material Finish Drainer	Polished
Drainer Position	Reversible
Overall Length (mm)	1000
Overall Width (mm)	500
Main Bowl Length (mm)	350
Main Bowl Width (mm)	415
Main Bowl Depth (mm)	190
Second Bowl Length (mm)	160
Second Bowl Width (mm)	285
Second Bowl Depth (mm)	160
Tap hole Size (mm)	1 x 35
Waste Size (mm)	2 x 90
Waste Kit	Included with sink (2 x 89mm BSW & overflow kit)
Min. Base Unit (mm)	650
Cutout Size Length (mm)	974
Cutout Size Width (mm)	474
Warranty Sinks (years)	10
Product Code	NIM1052/TWN1
Barcode	5015834054773

Date of download: July 24, 2023

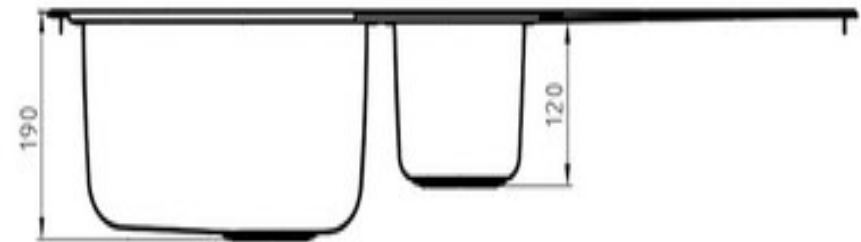
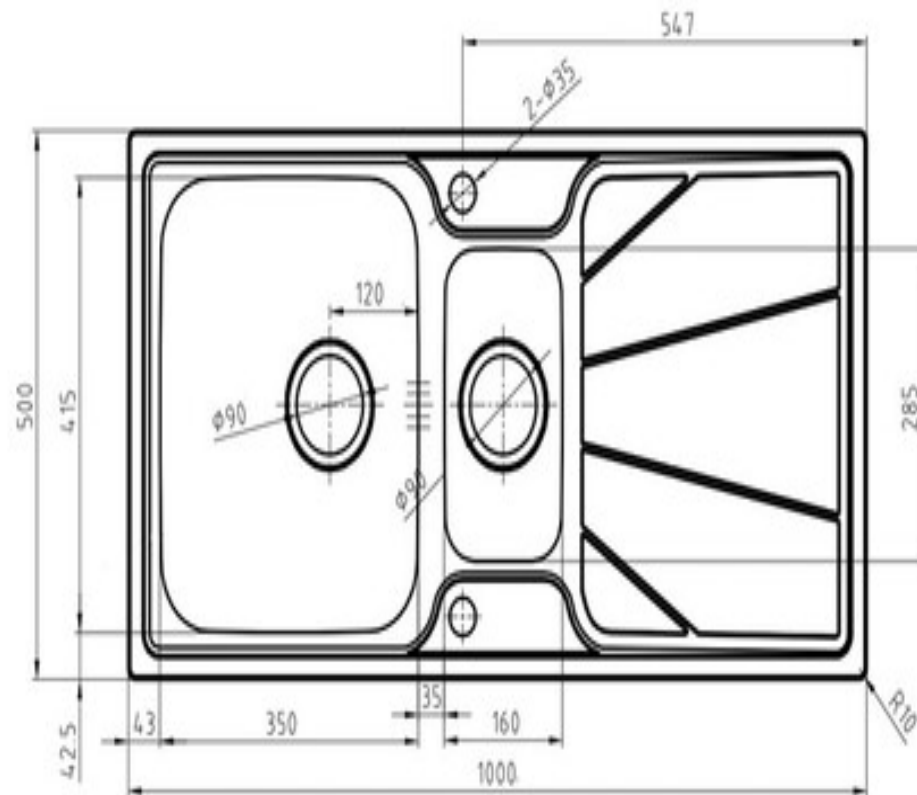
AGA Rangemaster continuously seeks improvements in specification, design and production of products and thus, alterations take place periodically. Whilst every effort is made to produce up-to date resources, the information included here is intended as a guide. Always refer to the product's installation instructions when fitting, installation work should be completed a professional tradesman.

NIMBUS 18/10 STAINLESS STEEL INSET SINK

NIM1052/TWN1

Cut Out Template

Dimensions in mm. Not to scale.



Date of download: July 24, 2023