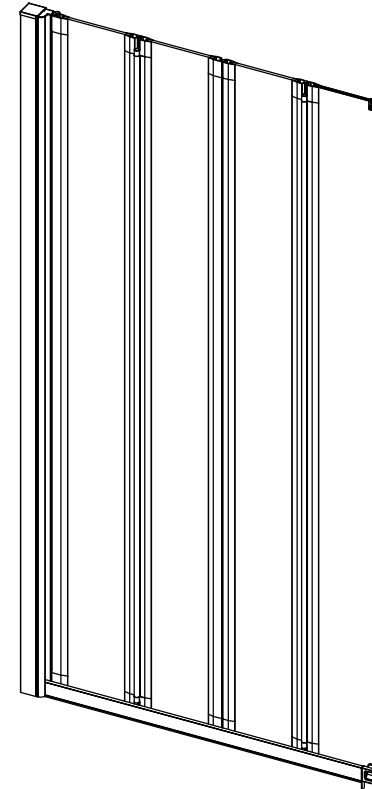


4 fold bathscreen
with sealing arm



Product is shown in a left hand version,
to change hand please follow the steps on page 4.

INSTALLATION GUIDE

M058-00

www.merlynshowering.com

MERLYN

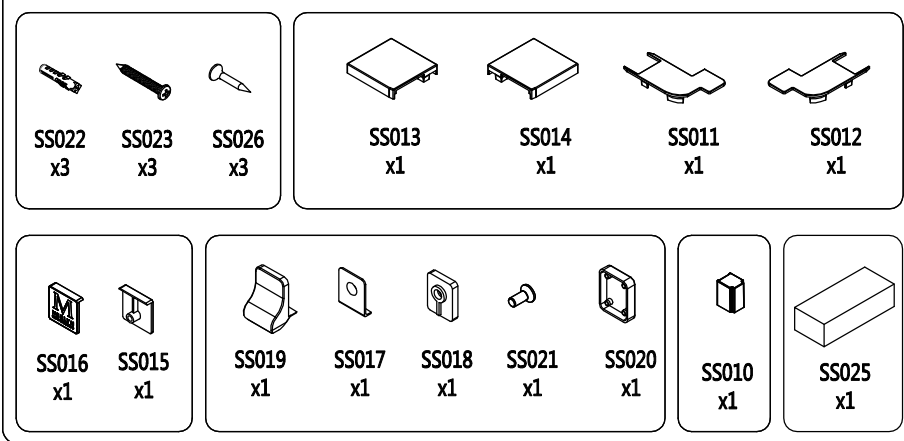
Merlyn Showering
Unit 8, Purcellsinch Industrial Park,
Dublin Road, Kilkenny, Ireland.
Tel: 00353 56 779 1555
Fax: 00353 56 779 1576
www.merlynshowering.com

IMPORTANT: Please read the complete instructions before commencing fit

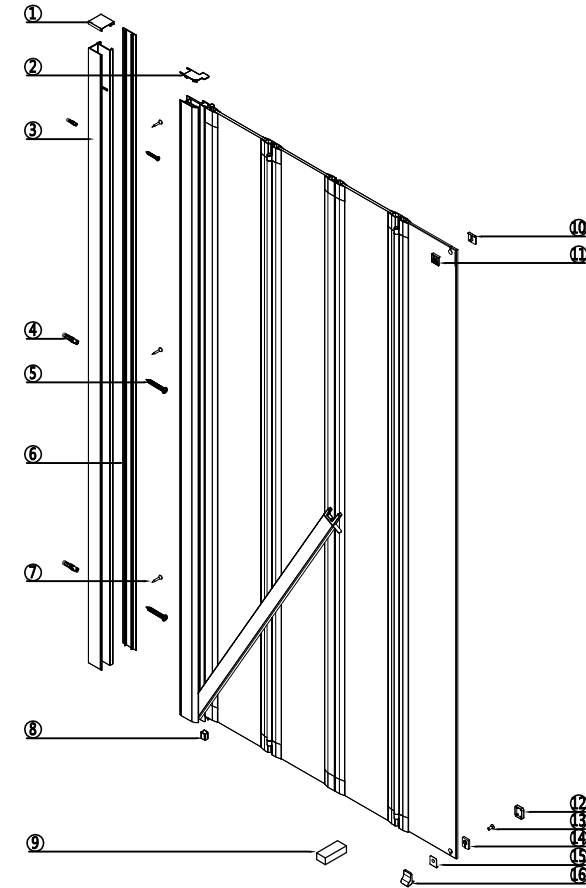
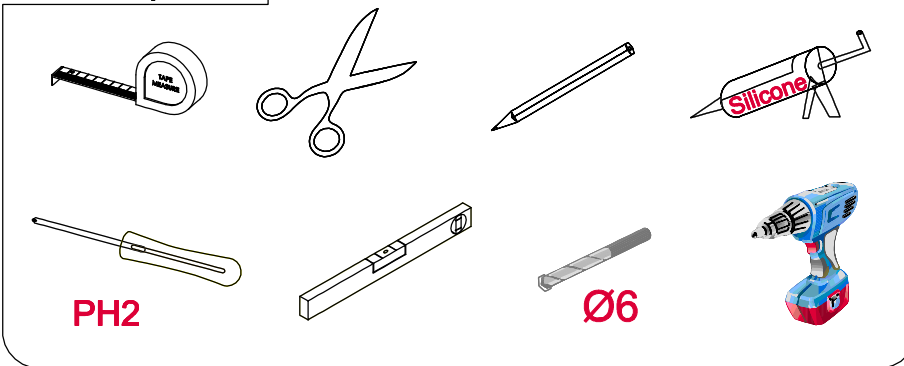
Check that you have the tools required.
 Check the installation site is compatible with the sizes of door supplied.
 Check all the enclosure components are present.
 Check the installation kit is complete.
 Do Not attempt to install the product unless you can tick all 4 boxes satisfactory.
 The wall plugs supplied with the installation kit are for use in solid walls. Hollow or 'stud partition' walls will require alternative fixings. Please consult a hardware supplier for the correct type.
 It may also be necessary to consult your tiling supplier about the correct method for drilling your tiles.

ATTENTION: TAKE EXTREME CARE WHEN HANDLING GLASS, WEAR PROTECTIVE EYEWEAR AND CLOTHING. DO NOT LEAVE THE GLASS ON HARD SURFACES AND AVOID CONTACT BETWEEN THE GLASS EDGES AND HARD SURFACES OR IMPACTS DURING THE INSTALLATION.

Fixing kit components



Tools required



No.	QTY	descriptions	Part No.	No.	QTY	descriptions	Part No.
①	2	Wall Profile End Cover L/R	SS013/SS014	⑨	1	Spacer	SS025
②	2	Adjusting Profile End Cover L/R	SS011/SS012	⑩	1	Inner Badge	SS015
③	1	Profile A01	SS004	⑪	1	Outer Badge	SS016
④	3	Wall Plug (grey)	SS022	⑫	1	S4 Cover Cap	SS020
⑤	3	B-head Crossing Taping Screw	SS023	⑬	1	Inner-hex Countersink Screw	SS021
⑥	1	Profile A09	SS005	⑭	1	End Cap C	SS018
⑦	3	Crossing Countersink Taping Screw	SS024	⑮	1	End Cap B	SS017
⑧	1	Bottom end cap for adjusting profile	SS010	⑯	1	End Cap A	SS019

Change product handing to right hand

Step 1

IMPORTANT!
To create a good seal make sure the bath is 100% level before fitting.

✓ ✗

Left hand - as packed

Step 2

2A Apply silicone.

2B Fix end cap to the bottom of the adjustment profile.

Step 3

3A Unscrew screw. x2

3B Unscrew screw. x2

3C Unscrew sealing arm fixing screw and remove sealing arm system from the profile. x1

3D Move up profile to the next hole.

3E Fix screw back. x2

3F Fix screw back. x2

3G Refit the sealing arm system to the opposite end of the adjustment profile.

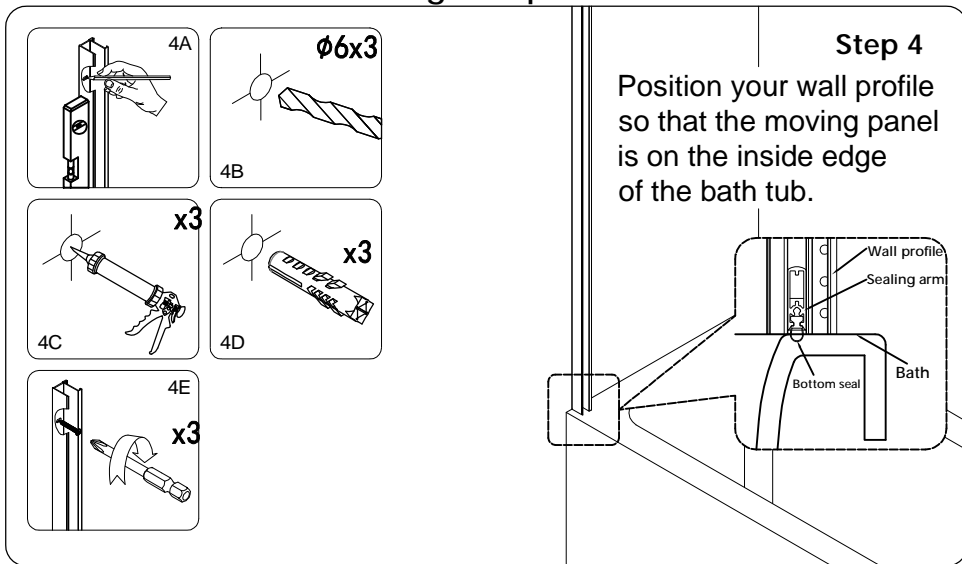
3H Retighten sealing arm screw fixing it into position.

3I Apply silicone.

3J Fix end cap to the bottom of the adjustment profile.

Right hand

Fitting wall profile



Fitting bottom brackets and top badge

