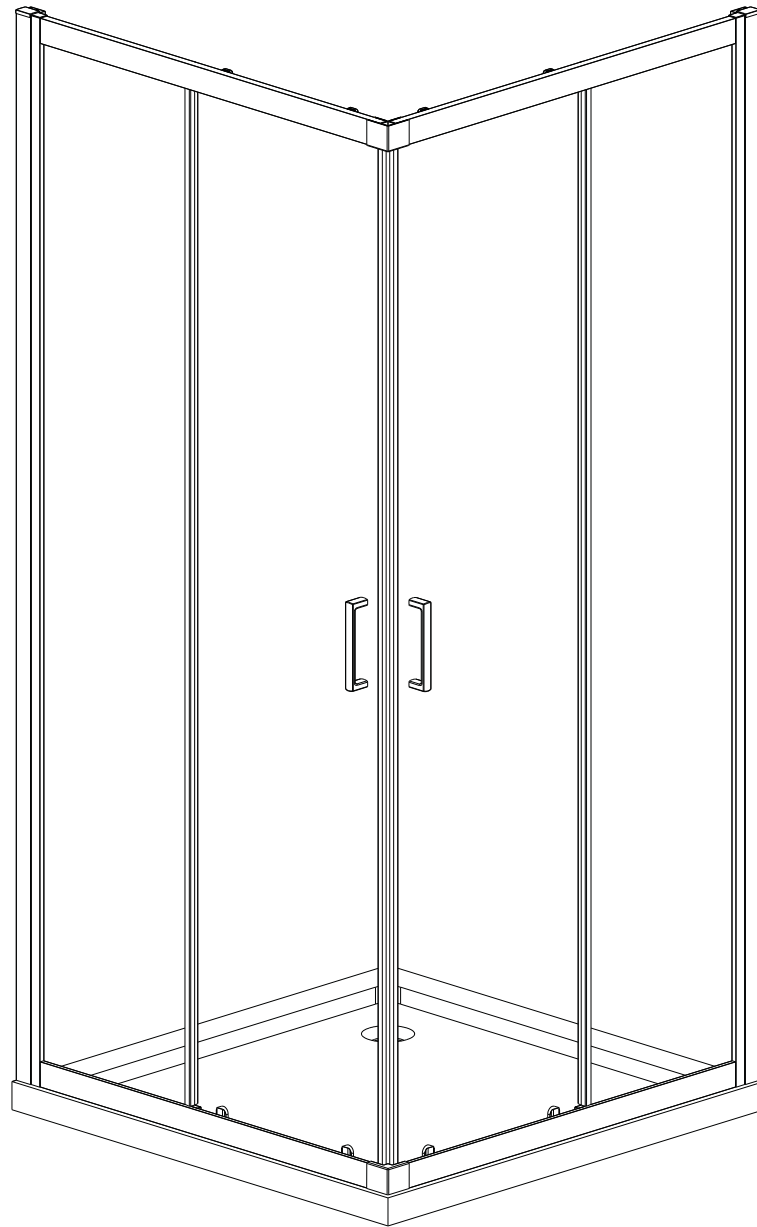


CORNER DOOR

MBOX

Created by
MERLYN



INSTALLATION GUIDE

IMPORTANT: Please read the complete instructions before commencing fitting.

Make sure the tray is 100% level in all directions.

Check that you have the tools required.

Check the installation site is compatible with the size of door supplied.

Check all the enclosure components are present.

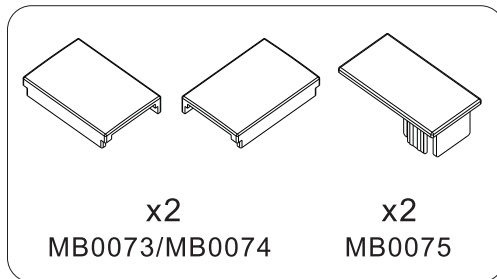
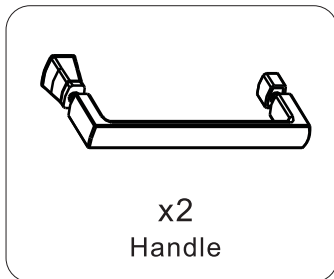
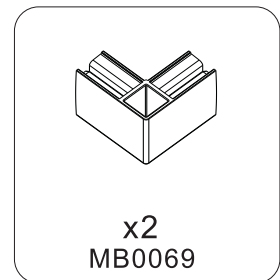
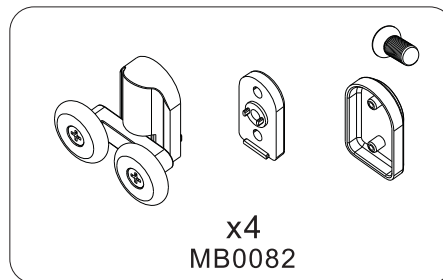
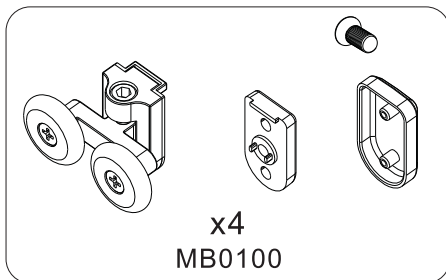
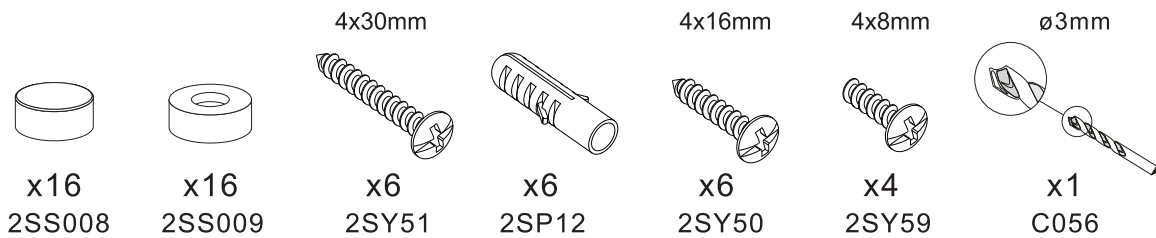
Check the installation kit is complete.

Do Not attempt to install the product unless you can tick all 4 boxes.

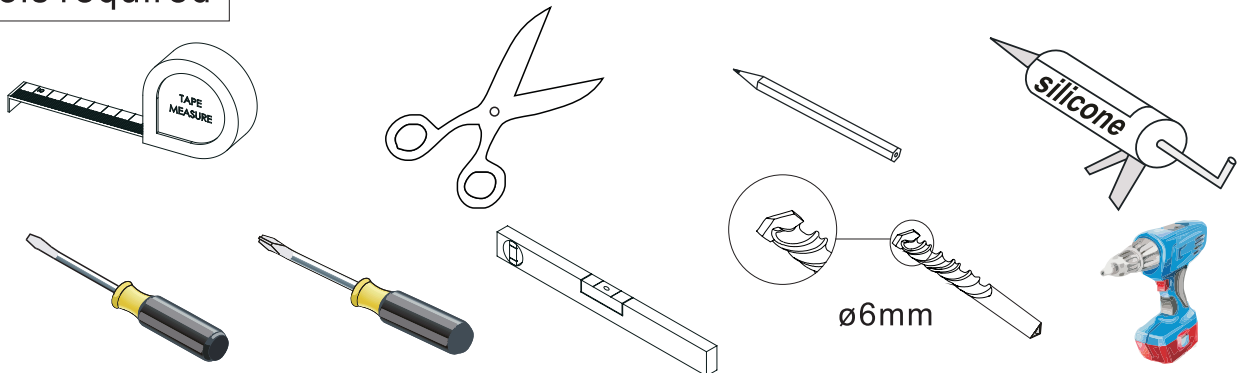
The wall plugs supplied with the installation kit are for use in solid walls. Hollow or 'stud partition' walls will require alternative fixings. Please consult a hardware supplier for the correct type. It may also be necessary to consult your tiling supplier about the correct method for drilling your tiles.

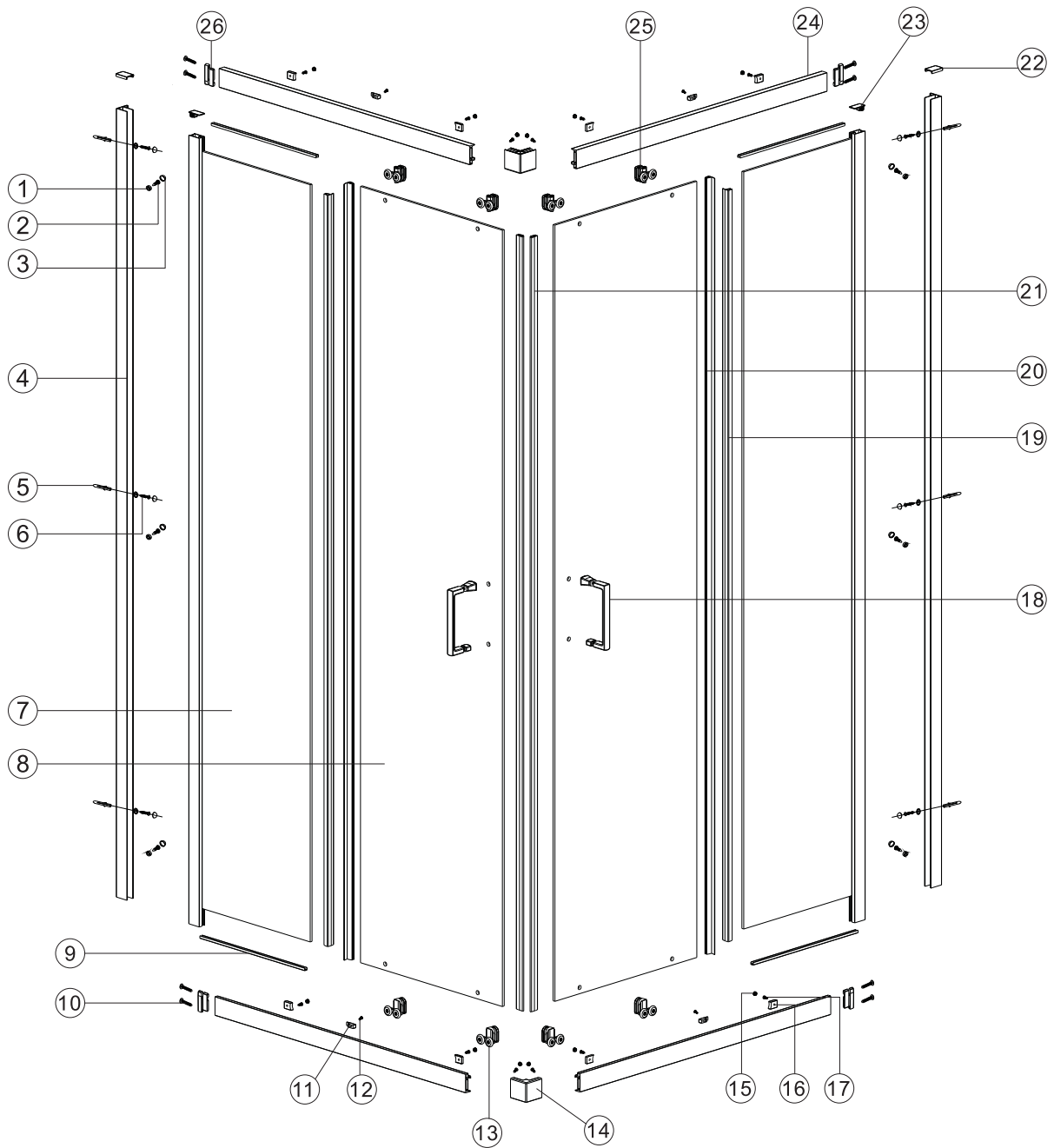
ATTENTION: TAKE EXTREME CARE WHEN HANDLING GLASS, WEAR PROTECTIVE EYEWEAR AND CLOTHING. DO NOT LEAVE THE GLASS ON HARD SURFACES AND AVOID CONTACT BETWEEN THE GLASS EDGES AND HARD SURFACES OR IMPACTS DURING THE INSTALLATION.

Fixing kit components



Tools required





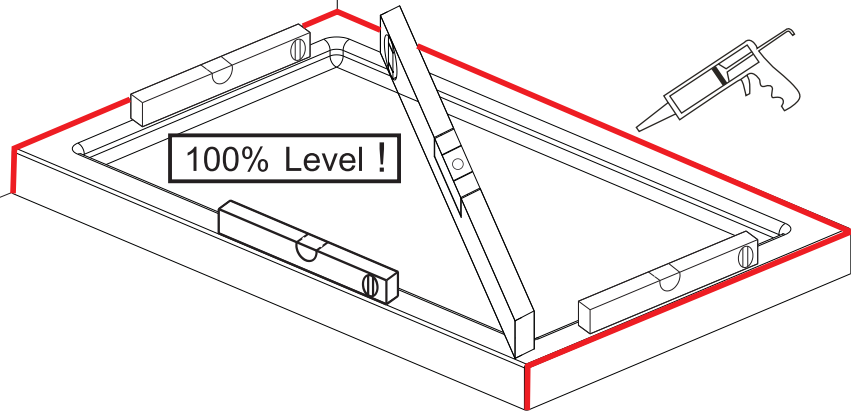
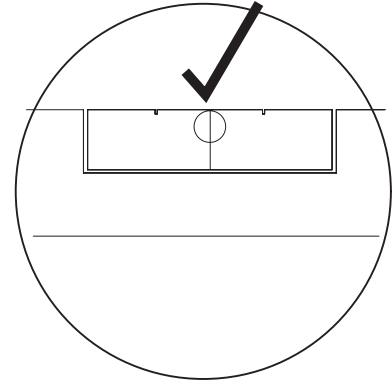
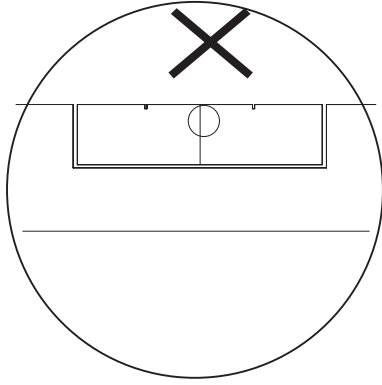
No.	Qty	Part No.
1	16	2SS009
2	6	2SY50
3	16	2SS008
4	2	MB0001
5	6	2SP12
6	6	2SY51
7	2	A
8	2	B
9	4	A12S0049
10	8	N081

No.	Qty	Part No.
11	4	A12S0020
12	4	MB0068
13	4	MB0082
14	2	MB0069
15	8	MB0067
16	8	MB0065/MB0066
17	12	2SY59
18	2	Handle
19	2	MB0048
20	2	MB0049

No.	Qty	Part No.
21	2	MB0042
22	2	MB0073/MB0074
23	2	MB0075
24	4	MB0008-11
25	4	MB0100
26	4	MB0063/MB0064

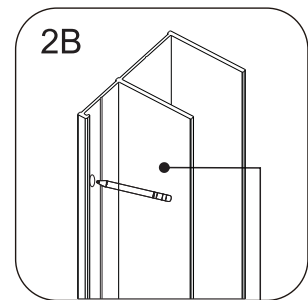
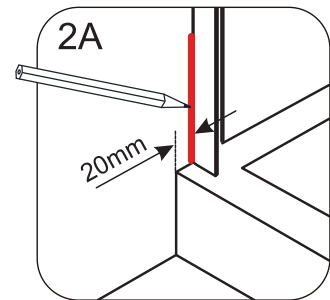
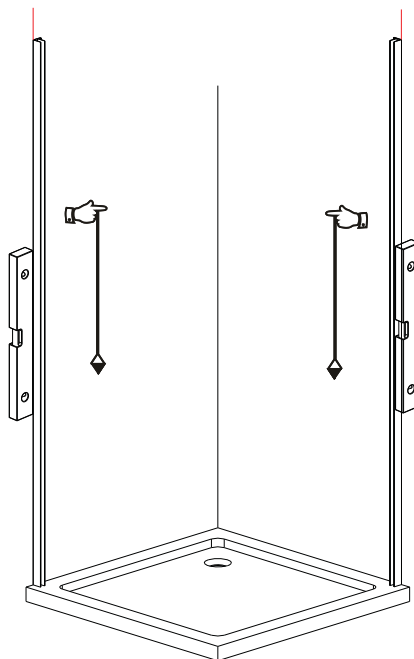
1

Please ensure your tray is 100% level in all directions before fitting your enclosure.



2

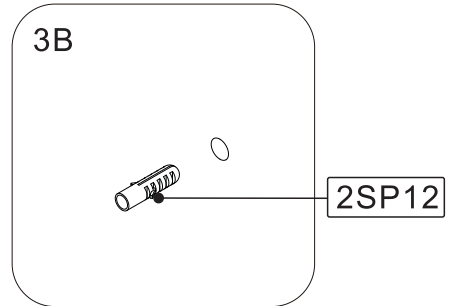
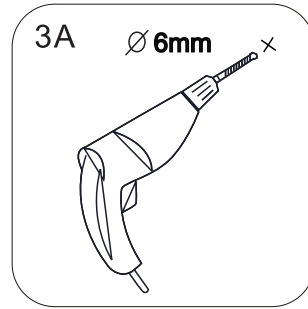
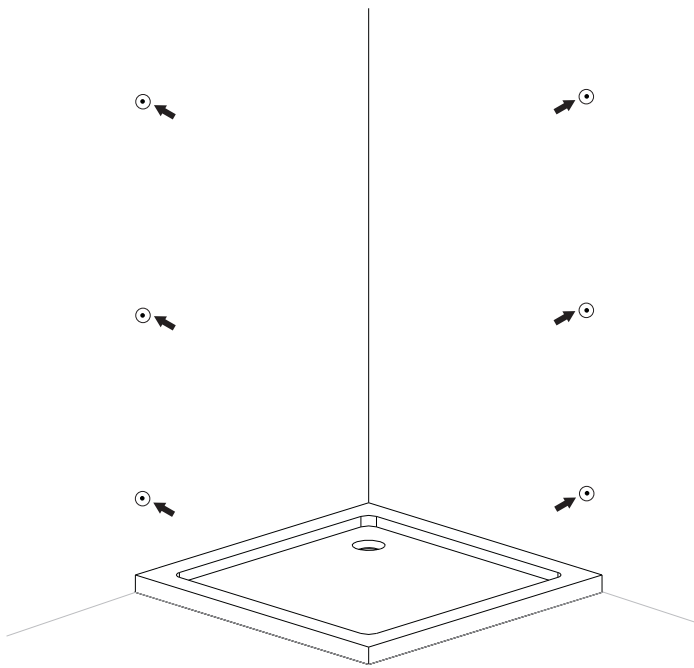
Determine your step in from the edge of the tray. 20mm is recommended. Plumb your wall profiles on each side then mark and drill your fixing positions. You can then remove your wall profiles and begin the frame assembly off the tray.



MB0001

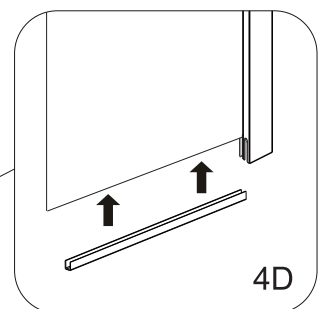
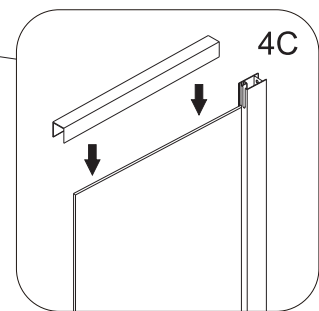
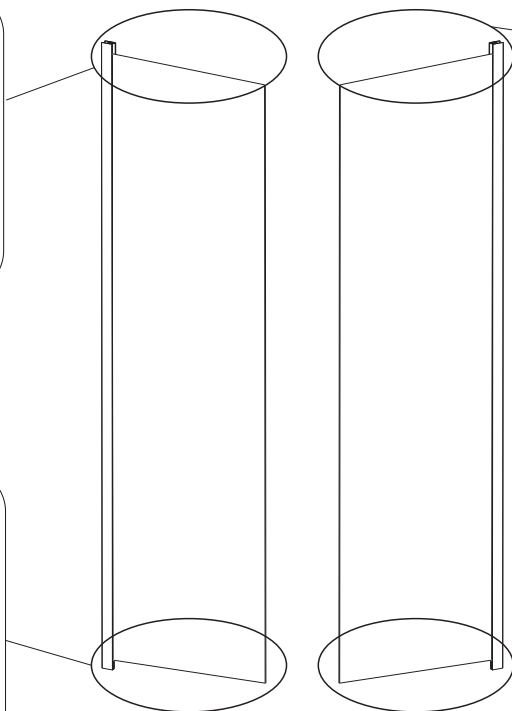
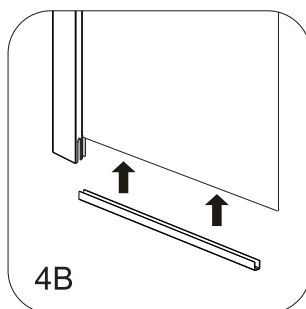
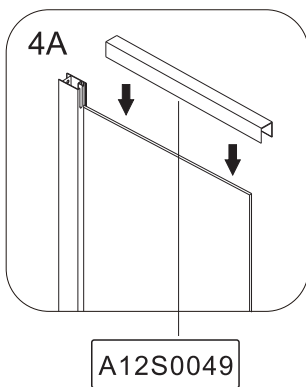
3

Remove the wall profiles and use a 6mm masonry drill bit to drill the holes for your wall plugs.



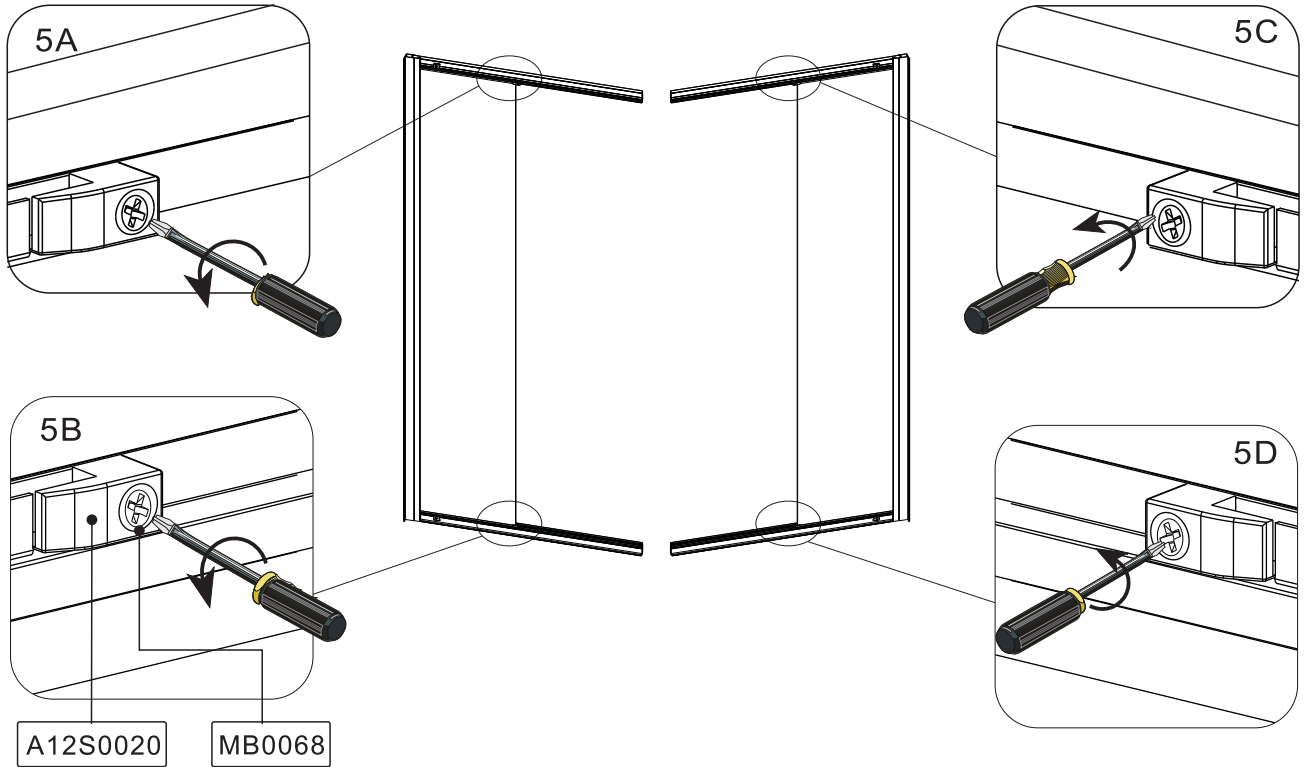
4

Fit your fixed panels seals to the top and bottom of each fixed panel



5

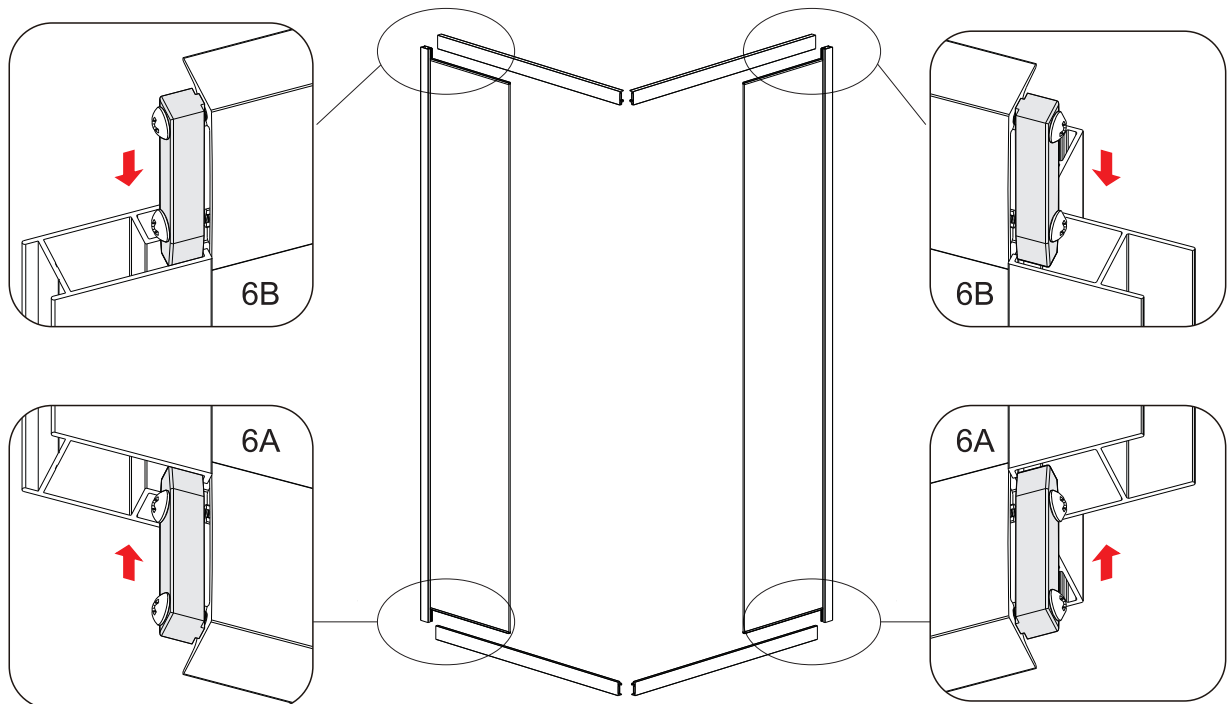
Loosen A12S0020 before you fit your top and bottom profile to the upright profile



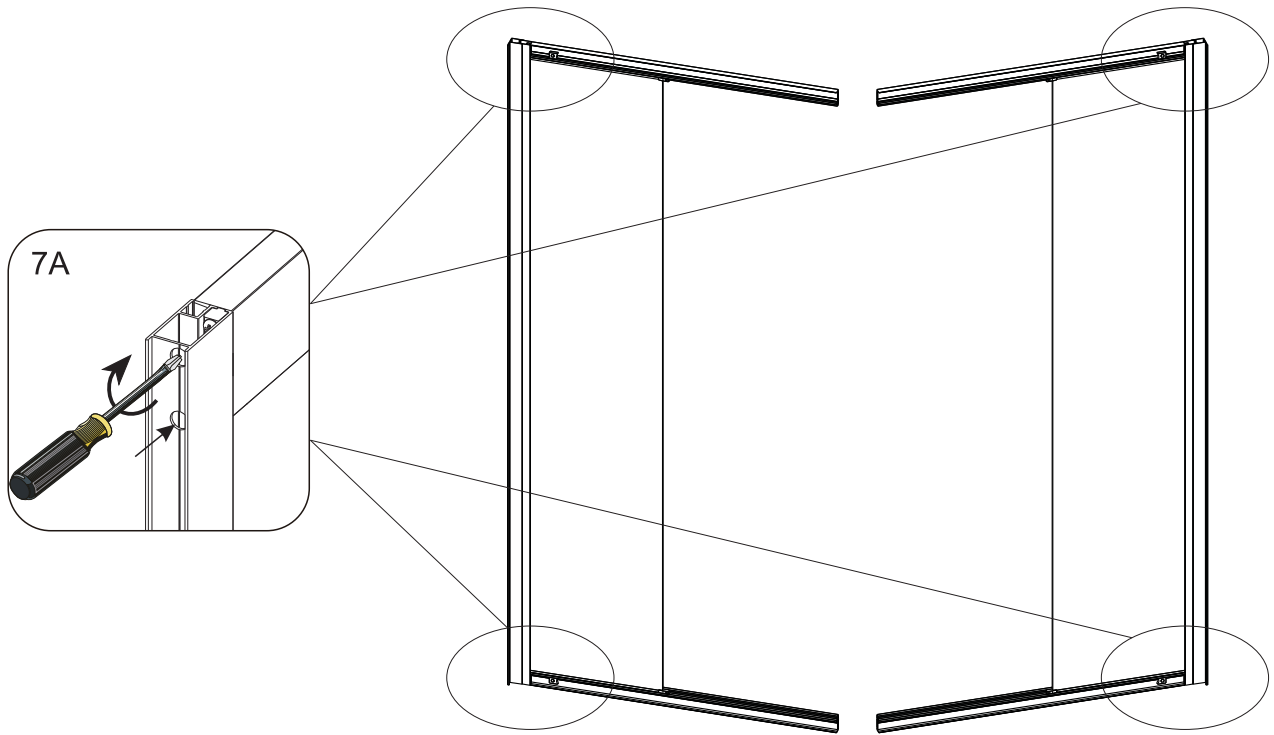
6

6A. Fit the bottom profile to the fixed panel. NOTE! Make sure the grey plastic part slots into the inside of the profile.

6B. Repeat the same process for the top profile.



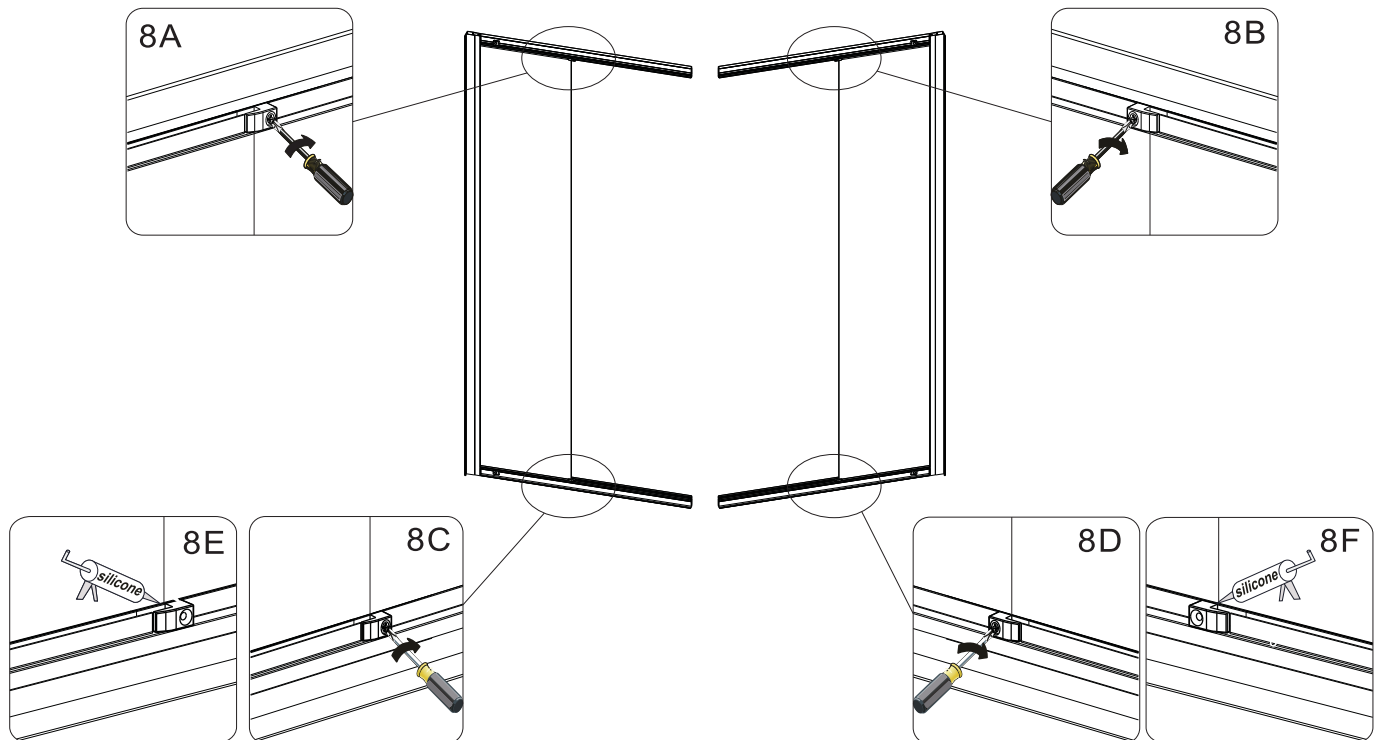
7



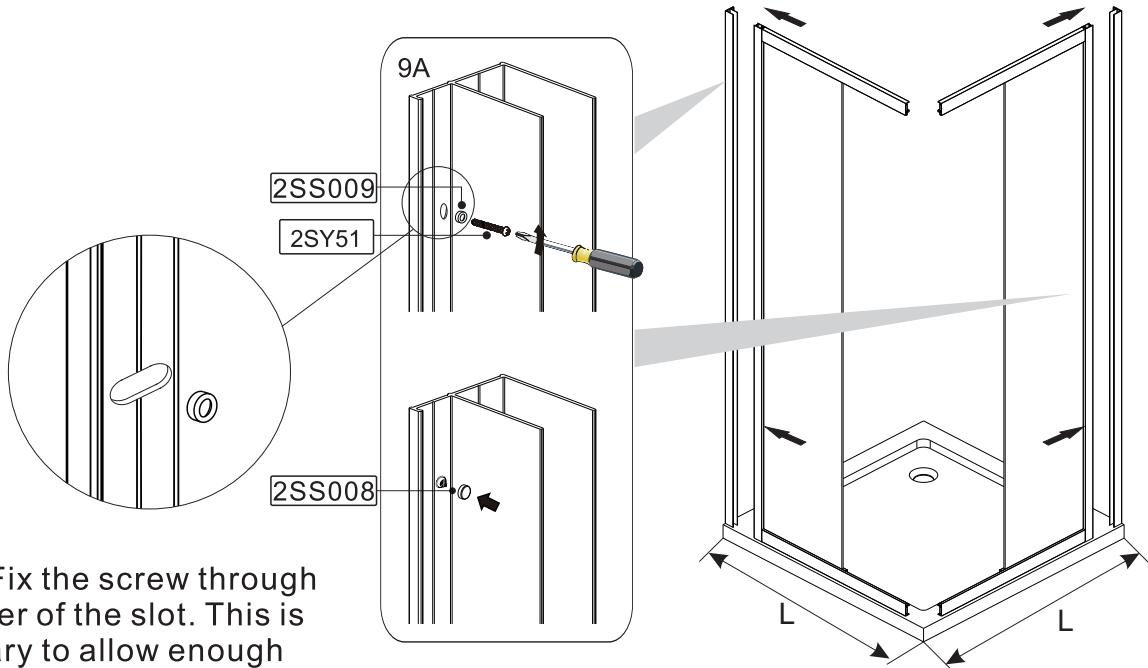
Note: Do not over tighten the screws

8

Tighten A12S0020 onto the fixed panel to secure the glass .
Add a dab of silicone to the join of the bottom clip and fixed glass
panel 8E&8F

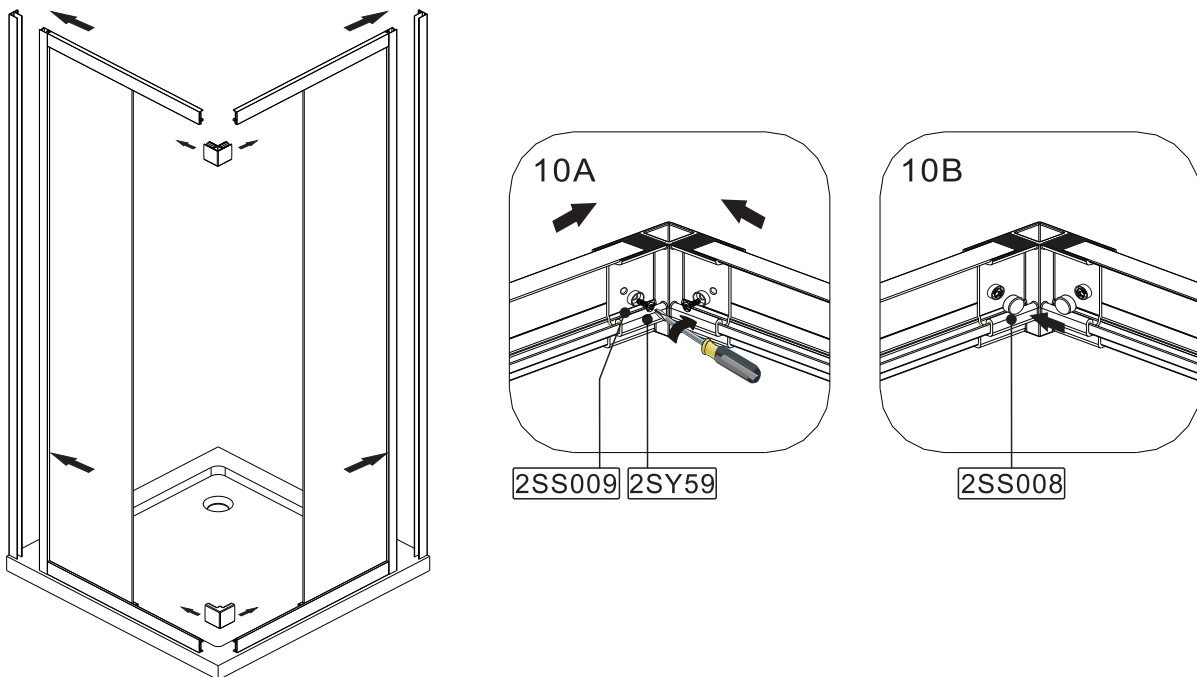


- 9 Fix the wall profiles to the wall. You can now lift the remove assembled frame excluding the moving panel onto the tray and slide into the wall profile. Do not yet fix the upright profiles to the wall profiles.

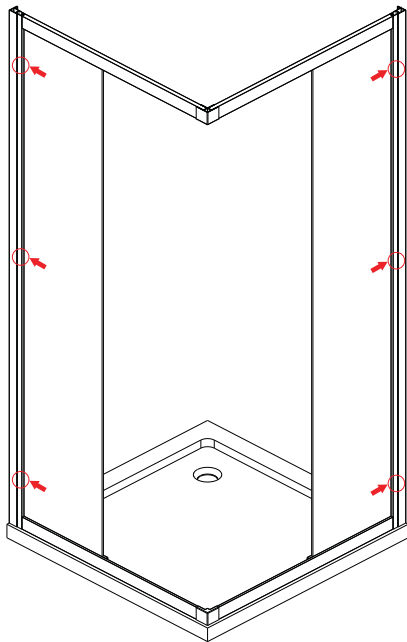


NOTE! Fix the screw through the center of the slot. This is necessary to allow enough room either side for the screw cover caps

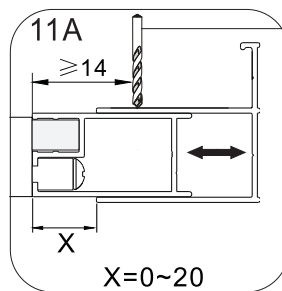
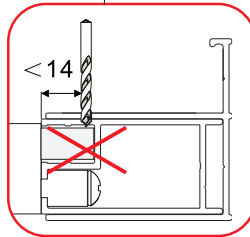
- 10 10A. Slide both corner brackets fully onto each end of the profiles and fix to the frame with screws and cover clips.
10B. Fix the cover caps onto the clips.



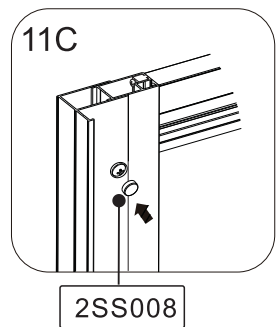
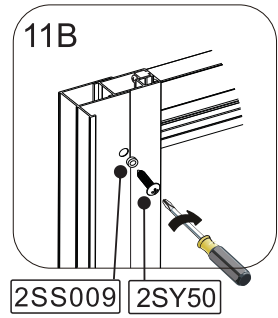
- 11 11A. Equalise the adjustment of the frame in the wall profile on both sides. From inside drill the frame top, middle and bottom making sure to step in a Min. 14mm from the edge of the frame.
 11B. Fix the frame with screws and cover clips.
 11C. Fix cover caps.



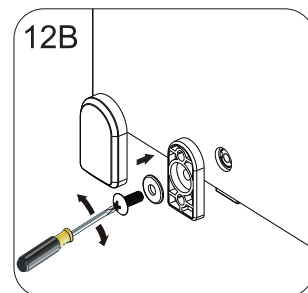
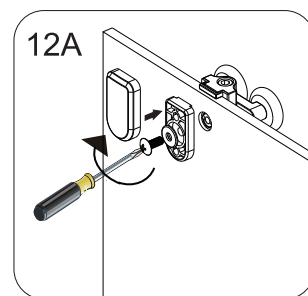
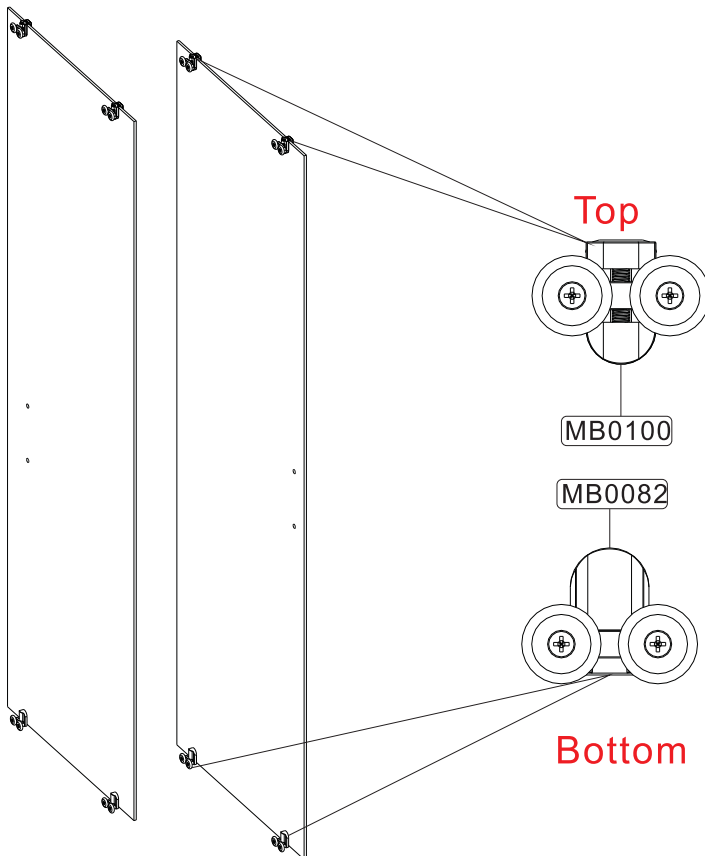
⚠ Take care not to drill to the glass



C056 (Ø3mm)

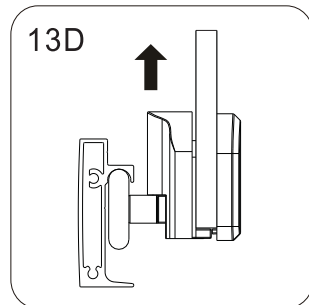
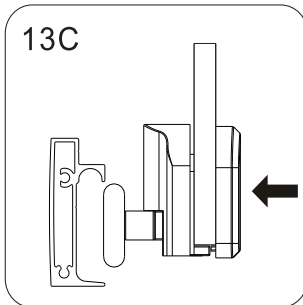
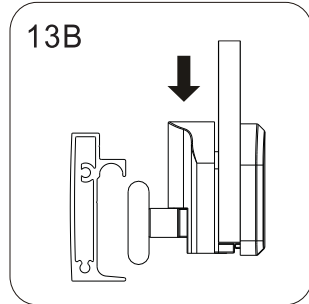
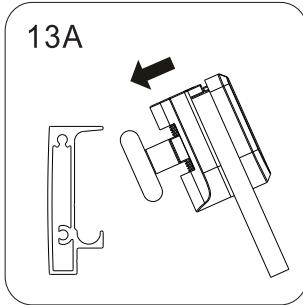
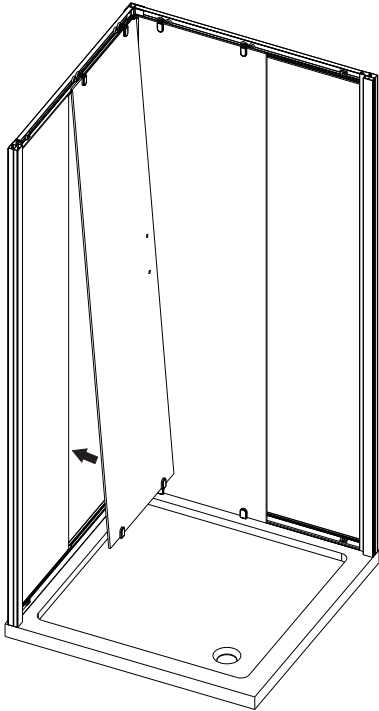


12

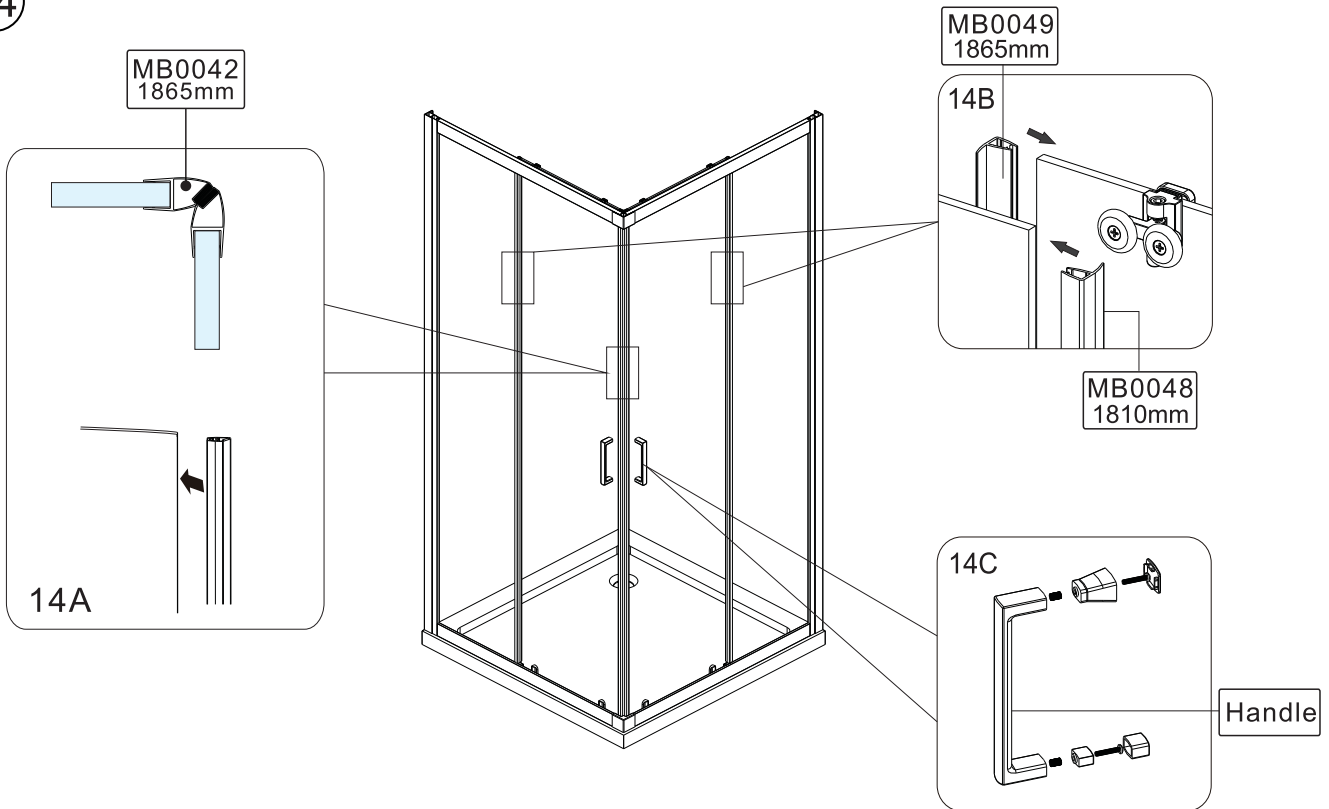


13

To fit your door panels first hang the top roller to support the weight of the glass panel. Push down the bottom roller fully and guide the roller into the bottom track.

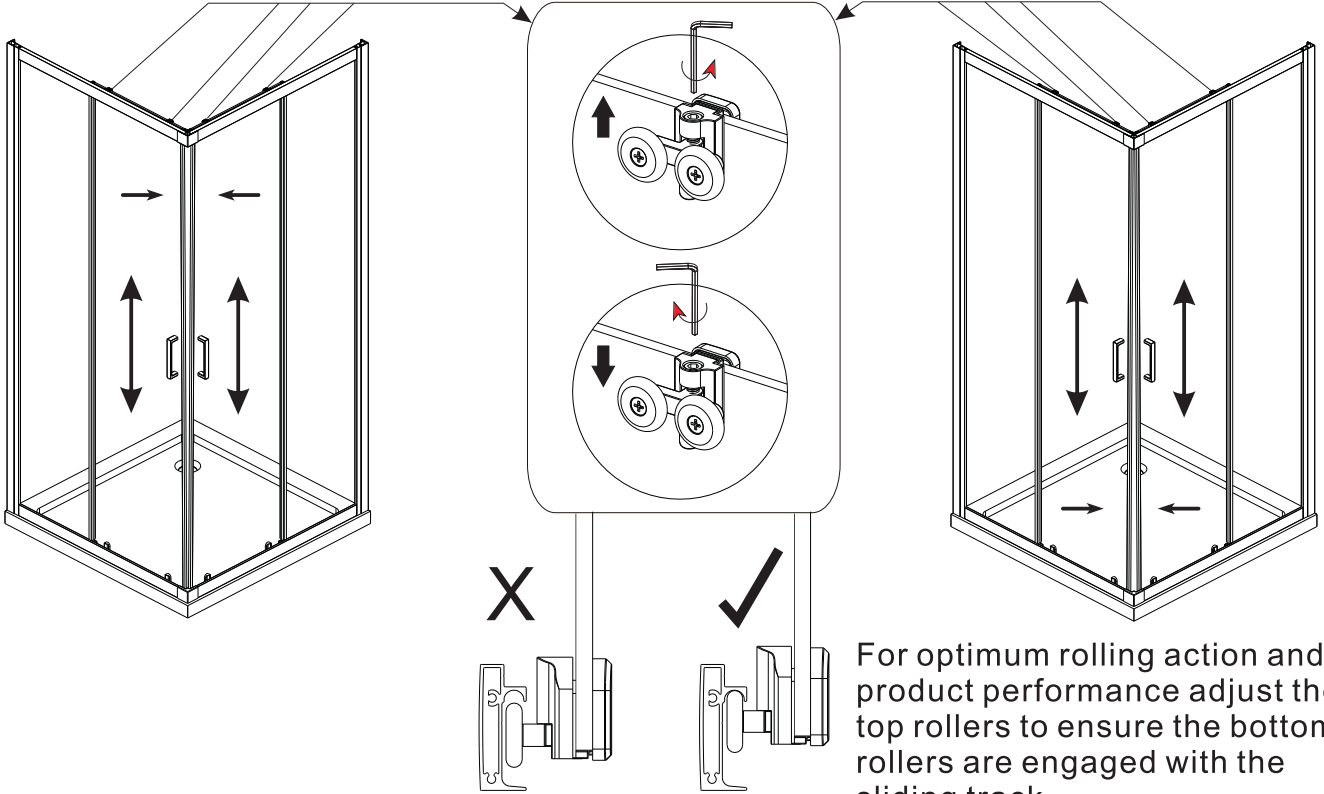


14



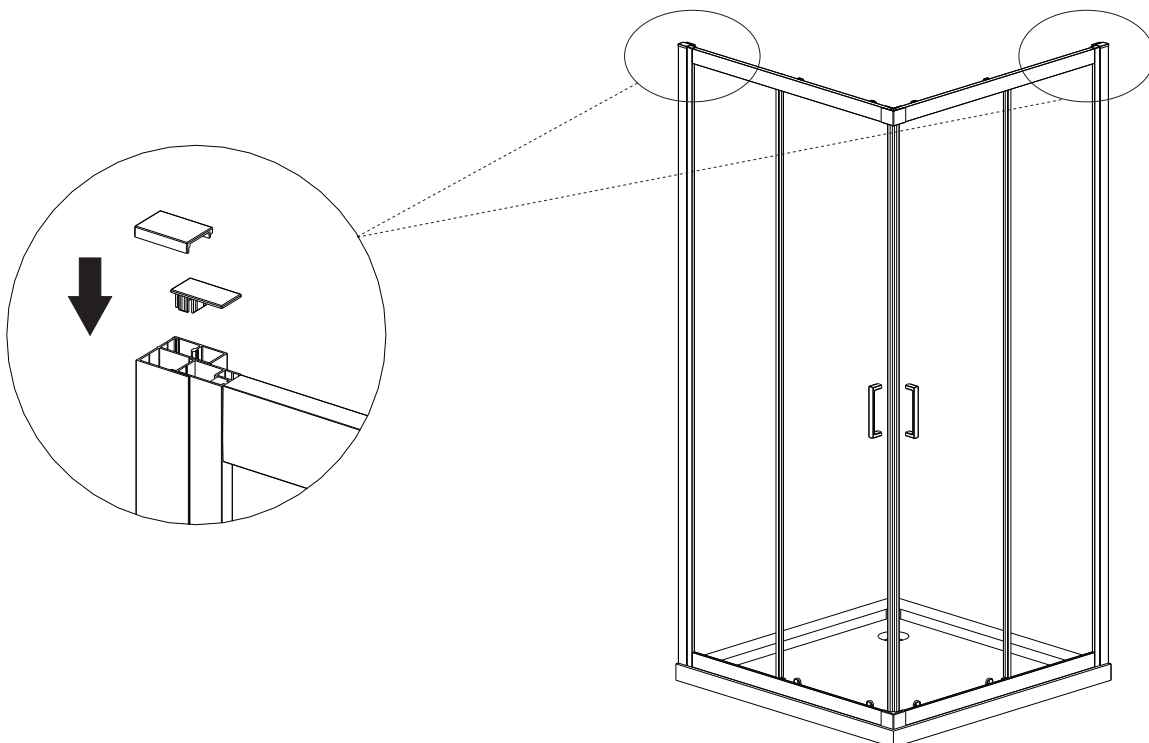
15

You can adjust the gaps between the two door panels by turning the allen key in the top rollers.



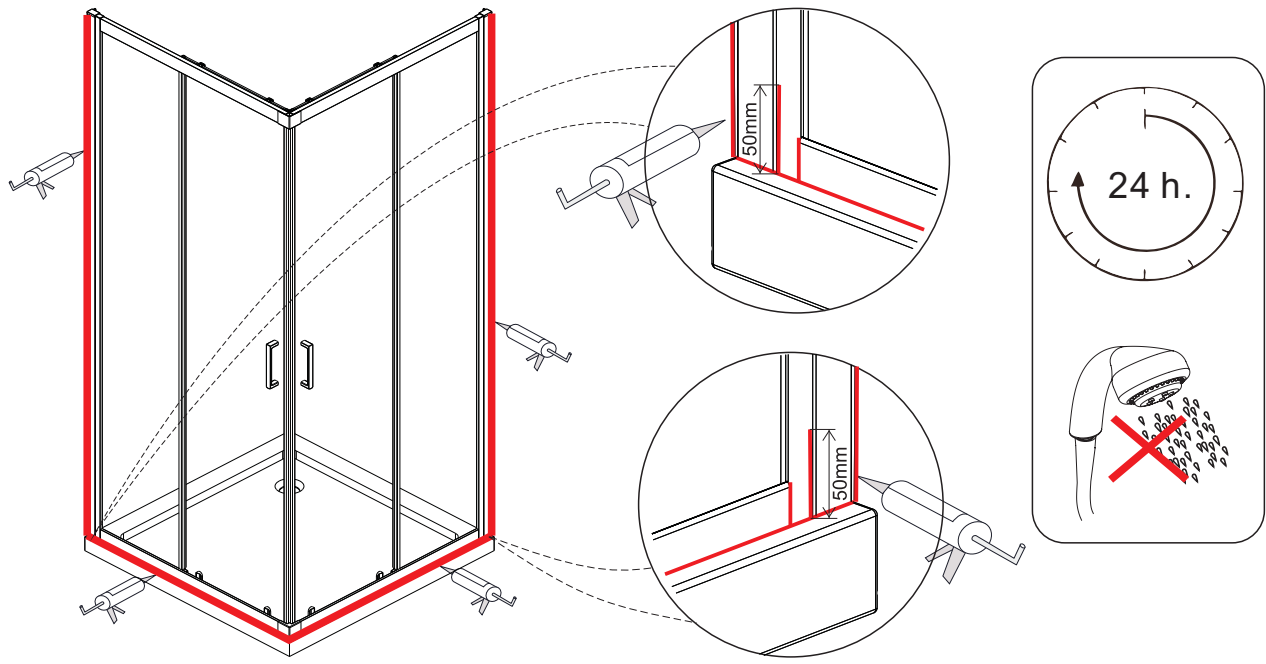
16

Fit the cover caps



17

Use a quality sealant to seal the finished door.
Seal any joints between profiles on bottom.
Seal on the outside along the bottom rail and between the wall and the wall profile.
Seal 50mm vertically between the frame and the wall profile.
DO NOT USE THE ENCLOSURE FOR 24 HOURS AFTER SEALING



Merlyn Industries LTD (MER09)	
DOP:CENMB1.1	
16	
EN 14428	
Shower enclosures with aluminium profiles and safety glass	
Cleanability	:Pass
Impact resistance/shatter properties	:Pass
Durability	:Pass

To download the Declaration of Performance (DOP) for this product please use the link below.
<https://merlynshowering.com/wp-content/uploads/2016/11/New-MBox-Enclosures-DOP-CENMB1.1.pdf>