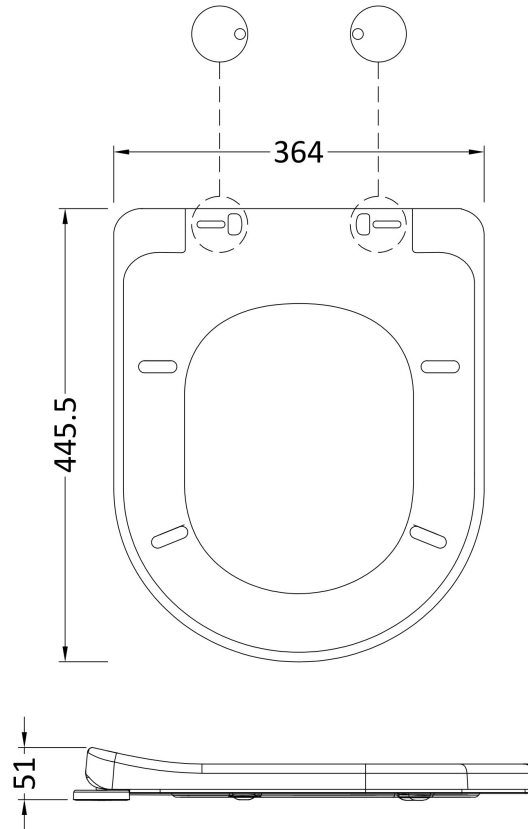


Sales Code: NTS004B

Description: D Shape Sc Seat, Qr, Top Fix, Black Caps

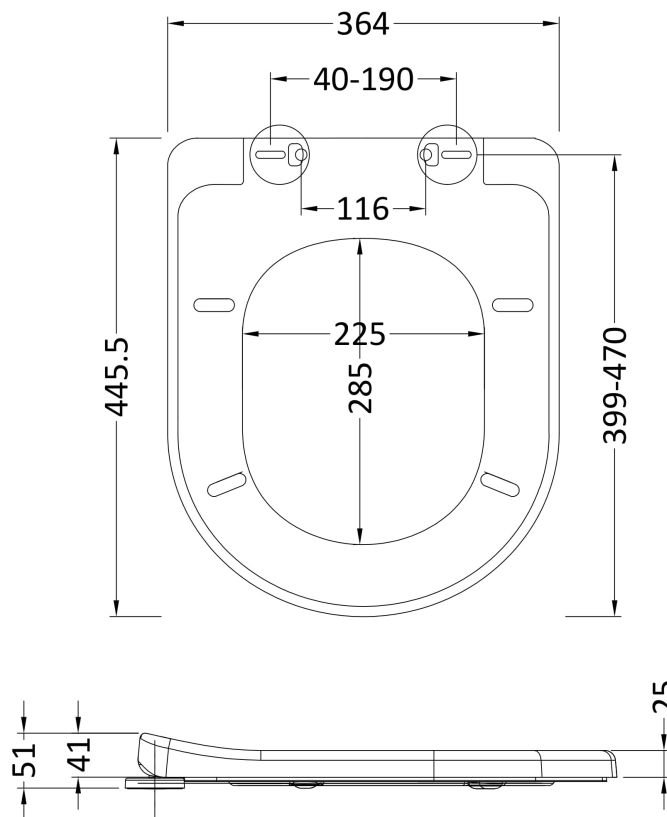


Packaging Details

Barcode: 5056678448281

Sales Code: NTS004

Description: Luxury D Shape Seat, Sc, Qr, Top Fix



Product Dimensions

Length (mm):	446
Width (mm):	364
Height (mm):	51
Nett Weight (kg):	2

Packaging Dimensions

Length (mm):	455
Width (mm):	380
Height (mm):	55
Gross Weight (kg):	2.29

Packaging Data

Box Colour:	White Cardboard Box - Printed
Box Qty:	1
Label Size:	100 x 50
Label Colour:	Not Applicable
Label Qty:	2

Outer Box Dimensions (If Applicable)

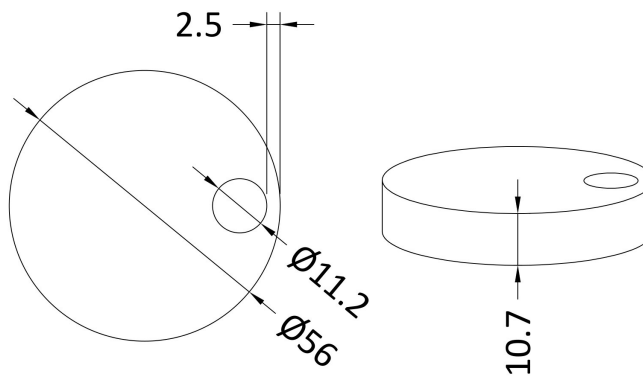
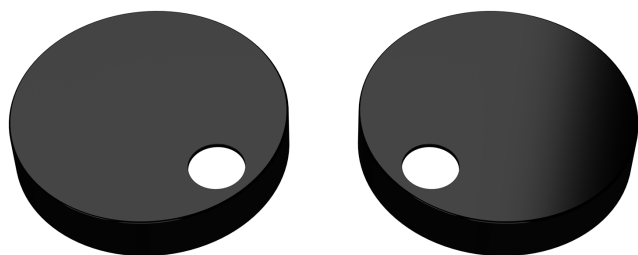
Length (mm):	400
Width (mm):	490
Height (mm):	320
Gross Weight (kg):	16
Barcode:	5060272825928

Product Details

Country of Origin:	China
Fitting Instruction:	No
CE & UKCA:	Not Applicable
Product Material:	Urea
Seat Type:	D Shape
Seat Function:	Soft Close
Hinge Centres (Min):	90
Hinge Centres (Max):	190
Hinge Material:	Polypropylene
Colour/Finish:	White
Fixing Method:	Quick Release

Sales Code: TSC402

Description: Toilet Seat Cover Caps Black Nts004/007



Product Dimensions

Length (mm):	
Width (mm):	70
Height (mm):	70
Nett Weight (kg):	0.01

Packaging Dimensions

Length (mm):	50
Width (mm):	50
Height (mm):	80
Gross Weight (kg):	0.01

Packaging Data

Box Colour:	White Cardboard Box
Box Qty:	1
Label Size:	100 x 50
Label Colour:	White Label
Label Qty:	1

Outer Box Dimensions (If Applicable)

Length (mm):	
Width (mm):	
Height (mm):	
Gross Weight (kg):	
Barcode:	5056678435410

Product Details

Country of Origin:	China
Fitting Instruction:	No
CE & UKCA:	
Product Material:	
Seat Type:	
Seat Function:	
Hinge Centres (Min):	
Hinge Centres (Max):	
Hinge Material:	
Colour/Finish:	
Fixing Method:	