

Sales Code:

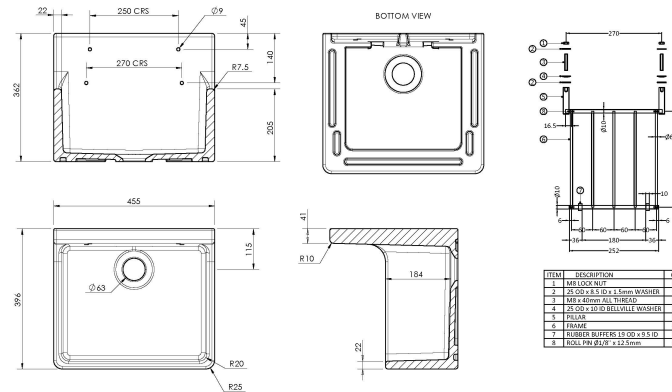
Description:

Packaging Details

Barcode:

Sales Code: CS10318

Description: Cleaner Sink Inc Grid 455X362x396



### Product Dimensions

Height (mm):	362
Width (mm):	455
Depth (mm):	396
Nett Weight (kg):	25.5

### Packaging Dimensions

Height (mm):	405
Width (mm):	465
Depth (mm):	383
Gross Weight (kg):	26

### Packaging Data

Box Colour:	Brown Cardboard Box
Box Qty:	1
Label Size:	100 x 50
Label Colour:	White Label
Label Qty:	2

### Outer Box Dimensions (If Applicable)

Height (mm):	
Width (mm):	
Depth (mm):	
Gross Weight (kg):	
Barcode:	5056462683553

### Product Details

Country of Origin:	Utd.Arab.Emir.
Fitting Instruction:	No
Certification: CE & UKCA:	WRAS: WRAS No:
Product Material:	
Fixing Supplied:	

**Pans/Bidets:** Trap Style: Includes Seat:

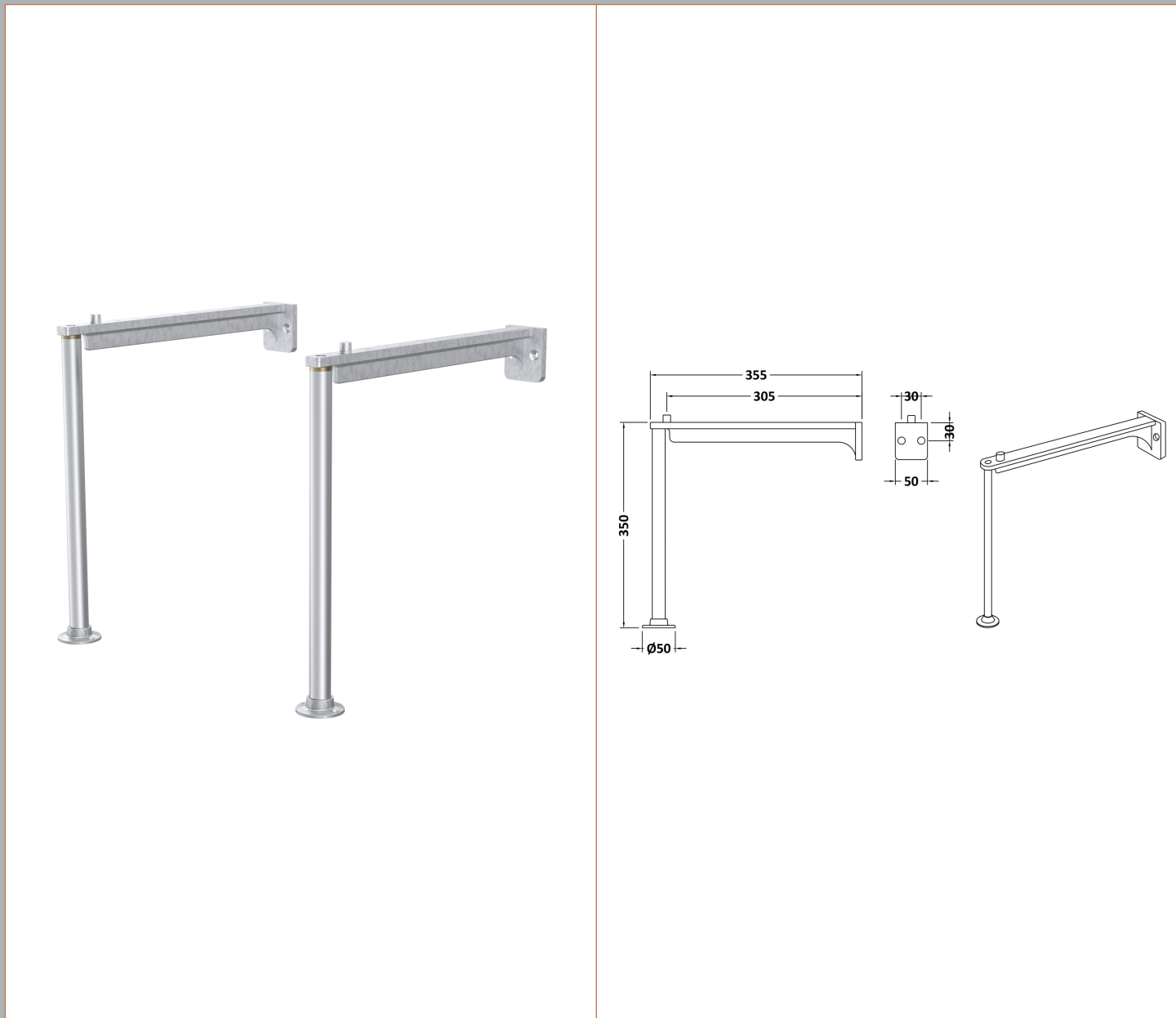
**Seats:** Seat Type: Material:  
Function: Hinge Type:  
Hinge Material:

**Cisterns:** Operating Type: Fittings:  
Lever Type:

**Basins:** Tap Hole: Chain Stay Hole:  
Template: Waste Type Req:  
Overflow Inc: Overflow Cover:  
Inner Bowl Depth (mm): 184

**Sales Code:** CSL301

**Description:** Cleaner Sink Leg/Socket & Bracket Kit



**Product Dimensions**

Length (mm):	
Width (mm):	50
Height (mm):	350
Depth (mm):	355
Nett Weight (kg):	3.58

**Packaging Dimensions**

Height (mm):	600
Width (mm):	295
Depth (mm):	90
Gross Weight (kg):	3.95

**Packaging Data**

Box Colour:	Brown Cardboard Box
Box Qty:	1
Label Size:	100 x 50
Label Colour:	White Label
Label Qty:	2

**Outer Box Dimensions (If Applicable)**

Height (mm):	
Width (mm):	
Length (mm):	
Depth (mm):	
Gross Weight (kg):	
Barcode:	5056678445716

**Product Details**

Country of Origin:	China
Fitting Instruction:	No
CE & UKCA:	N/A
Product Material:	Stainless Steel
Heating Element Wattage:	Not Applicable
Colour/Finish:	Brushed Stainless Steel
Product Diameter:	N/A
Connection Size:	30 mm