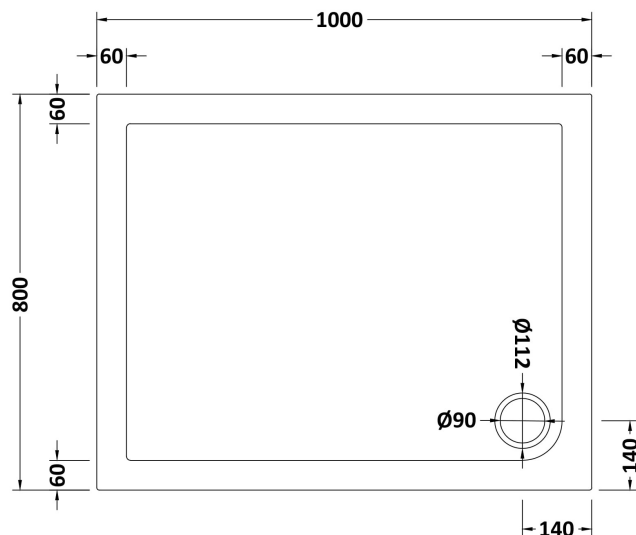


**Sales Code:** NTP013

**Description:** Rectangular Tray 1000 X 800



**Product Dimensions**

Length (mm):	1000
Width (mm):	800
Height (mm):	40
Nett Weight (kg):	25.1

**Packaging Dimensions**

Length (mm):	1040
Width (mm):	840
Height (mm):	80
Gross Weight (kg):	25.4

**Packaging Data**

Box Colour:	Shrinkwrap & Polystyrene
Box Qty:	1
Label Size:	100 x 50
Label Colour:	White Label
Label Qty:	2

**Outer Box Dimensions (If Applicable)**

Length (mm):	
Width (mm):	
Height (mm):	
Gross Weight (kg):	
Barcode:	5055369006250

**Product Details**

Country of Origin:	United Kingdom
Fitting Instruction:	No
CE & UKCA:	Yes
Colour/Finish:	White
Product Material:	Acrylic Capped ABS Caco3 & Pu
Material Colour Reference:	European White
Radius:	0
Waste Required (mm):	90
Compatible with Leg Kit:	Yes