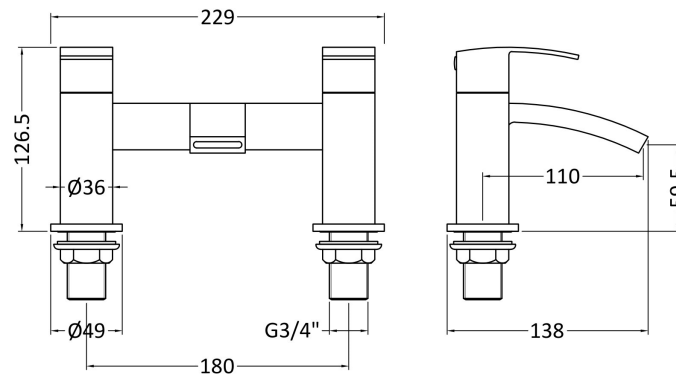


Sales Code: TSI303

Description: Bath Filler



### Product Dimensions

|                   |      |
|-------------------|------|
| Height (mm):      | 127  |
| Width (mm):       | 229  |
| Depth (mm):       | 138  |
| Length (mm):      |      |
| Nett Weight (kg): | 1.28 |

### Packaging Dimensions

|                    |      |
|--------------------|------|
| Height (mm):       | 155  |
| Width (mm):        | 218  |
| Depth (mm):        | 150  |
| Gross Weight (kg): | 1.78 |

### Packaging Data

|               |                     |
|---------------|---------------------|
| Box Colour:   | White Cardboard Box |
| Box Qty:      | 1                   |
| Label Size:   | 100 x 50            |
| Label Colour: | White Label         |
| Label Qty:    | 2                   |

### Outer Box Dimensions (If Applicable)

|                    |               |
|--------------------|---------------|
| Height (mm):       | 260           |
| Width (mm):        | 485           |
| Depth (mm):        | 445           |
| Length (mm):       |               |
| Gross Weight (kg): | 15            |
| Barcode:           | 5055369025534 |

### Product Details

|                           |                       |
|---------------------------|-----------------------|
| Country of Origin:        | China                 |
| Fitting Instruction:      | No                    |
| Product Material:         | Brass                 |
| Control Type:             | Manual                |
| Waste Included:           | Waste Not Included    |
| Waste Type:               | Not Applicable        |
| WRAS Approval: No         | Approval No: N/A      |
| Valve/Cartridge Type:     | 1/4 Turn Ceramic Disc |
| Colour/Finish:            | Chrome                |
| Mount Type:               | Deck                  |
| Operating Pressure (bar): | 0.2                   |

Flow Rates: (Litres Per Min) 0.1 bar: 10 0.5 bar: 28 1 bar: 38 2 bar: 0 3 bar: 0

Pipe Size: 22 mm (3/4" Bsp)

Pipe Centres: 180 mm