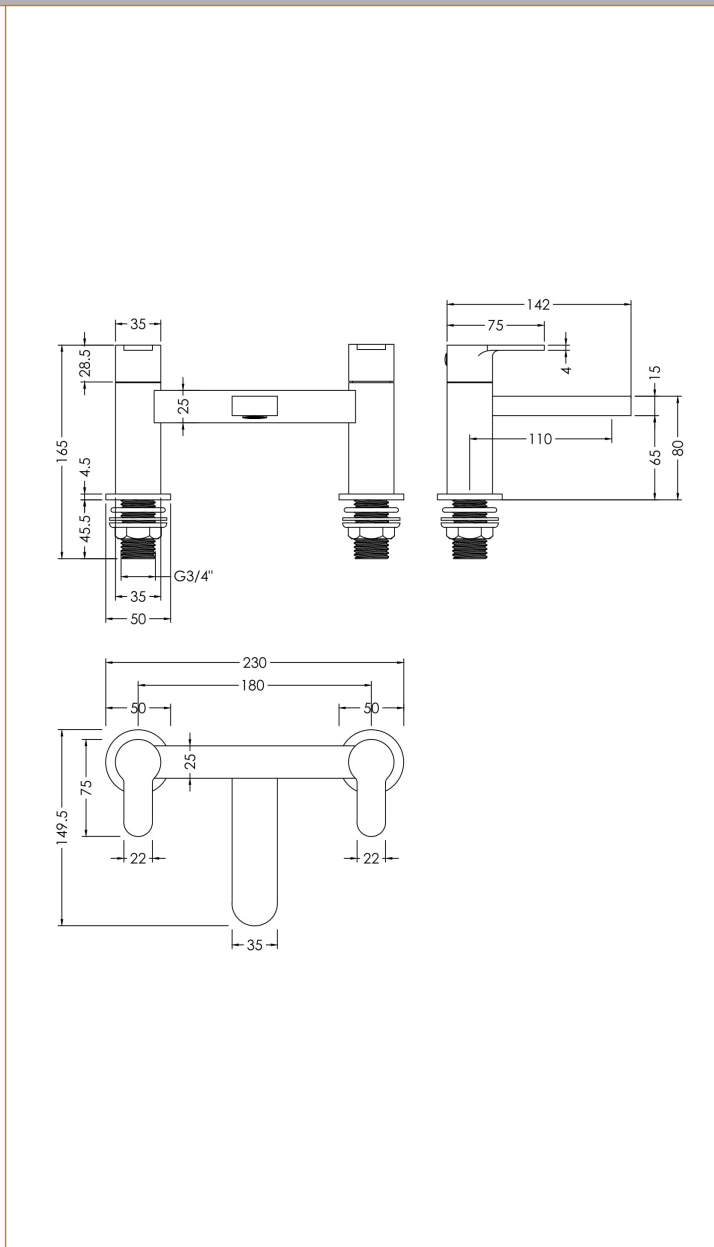


Sales Code: WIN703

Description: Windon D/M Bath Filler



### Product Dimensions

Height (mm):	136
Width (mm):	230
Depth (mm):	147
Length (mm):	
Nett Weight (kg):	2.16

### Packaging Dimensions

Height (mm):	205
Width (mm):	205
Depth (mm):	270
Gross Weight (kg):	2.16

### Packaging Data

Box Colour:	White Cardboard Box
Box Qty:	1
Label Size:	100 x 50
Label Colour:	White Label
Label Qty:	1

### Outer Box Dimensions (If Applicable)

Height (mm):	560
Width (mm):	540
Depth (mm):	530
Length (mm):	
Gross Weight (kg):	
Barcode:	5056462625898

### Product Details

Country of Origin:	China
Fitting Instruction:	No
Product Material:	Brass
Control Type:	Manual
Waste Included:	Waste Not Included
Waste Type:	Not Applicable
WRAS Approval: Yes	Approval No: 2206032
Valve/Cartridge Type:	1/4 Turn Ceramic Disc
Colour/Finish:	Brushed Pewter
Mount Type:	Deck
Operating Pressure (bar):	1
Flow Rates: (Litres Per Min)	0.1 bar: 4.6 0.5 bar: 12.6 1 bar: 18.3 2 bar: 26.2 3 bar: 32
Pipe Size:	3/4"
Pipe Centres:	180