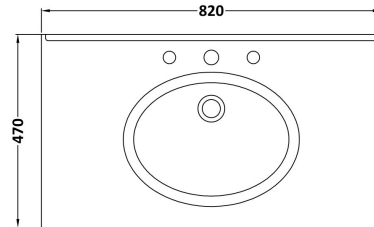
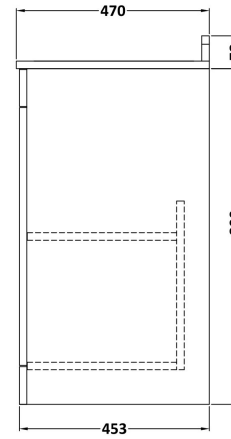
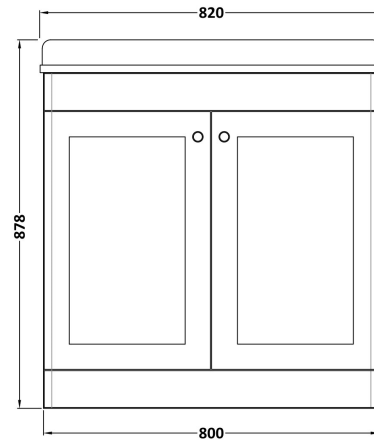


Sales Code: CLC226GR3

Description: 800 F/S 2-Door Unit & Marble Top 3Th

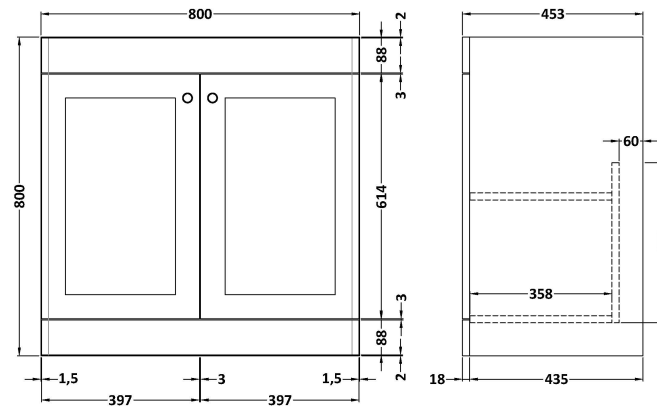


Packaging Details

Barcode: 5056678417485

Sales Code: CLA226

Description: 800 F/S 2-Door Unit (800X800 X453)



Product Dimensions

| | |
|-------------------|------|
| Height (mm): | 800 |
| Width (mm): | 800 |
| Depth (mm): | 453 |
| Nett Weight (kg): | 30.5 |

Packaging Dimensions

| | |
|--------------------|-----|
| Height (mm): | 835 |
| Width (mm): | 825 |
| Depth (mm): | 480 |
| Gross Weight (kg): | 31 |

Packaging Data

| | |
|---------------|---------------------|
| Box Colour: | Brown Cardboard Box |
| Box Qty: | 1 |
| Label Size: | 100 x 50 |
| Label Colour: | White Label |
| Label Qty: | 2 |

Outer Box Dimensions (If Applicable)

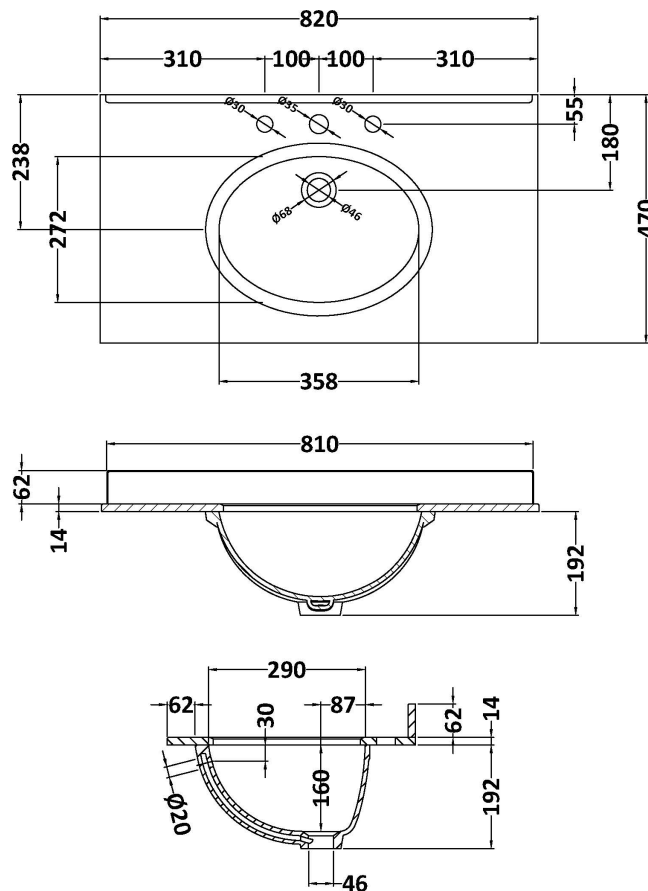
| | |
|--------------------|---------------|
| Height (mm): | |
| Width (mm): | |
| Depth (mm): | |
| Gross Weight (kg): | |
| Barcode: | 5056462643199 |

Product Details

| | |
|--------------------------|------------------------------|
| Country of Origin: | China |
| Fitting Instruction: | No |
| CE & UKCA: | N/A |
| FSC Certified Materials: | Yes |
| Colour: | Satin Grey |
| Construction Method: | Cam & Wood Dowel |
| Construction Type: | Rigid |
| Cabinet Finish: | MFC Painted Matt |
| Fascia Finish: | Mdf Painted Matt |
| Cabinet Thickness (mm): | 18 |
| Fascia Thickness (mm): | 18 |
| Drawer Included: | No |
| Drawer Type: | Not Applicable |
| No of Shelves: | 1 |
| Hinge Type: | 95 Degree Clip-On Soft Close |
| Hinge Included: | Yes, Supplied |
| Adjustable Legs: | No, Not Required |
| Fixings Included: | Yes |
| Handle Style: | Traditional |
| Waste Shroud: | Not Applicable |
| Handle Included: | Yes, Supplied |
| Handle Type: | Knob |

Sales Code: LOM232

Description: 800 Single Bowl Marble Top 3Th



Product Dimensions

| | |
|-------------------|-----|
| Height (mm): | 268 |
| Width (mm): | 820 |
| Depth (mm): | 463 |
| Nett Weight (kg): | 18 |

Packaging Dimensions

| | |
|--------------------|------|
| Height (mm): | 310 |
| Width (mm): | 900 |
| Depth (mm): | 550 |
| Gross Weight (kg): | 18.5 |

Packaging Data

| | |
|---------------|---------------------|
| Box Colour: | White Cardboard Box |
| Box Qty: | 1 |
| Label Size: | 100 x 50 |
| Label Colour: | White Label |
| Label Qty: | 2 |

Outer Box Dimensions (If Applicable)

| | |
|--------------------|---------------|
| Height (mm): | |
| Width (mm): | |
| Depth (mm): | |
| Gross Weight (kg): | |
| Barcode: | 5056211819073 |

Product Details

| | |
|---------------------------|--------------------------------|
| Country of Origin: | China |
| Fitting Instruction: | No |
| Certification: CE & UKCA: | N/A WRAS: N/A WRAS No: N/A |
| Product Material: | Vitreous China, Natural Marble |
| Fixing Supplied: | No |

Pans/Bidets: Trap Style: Not Applicable Includes Seat: Not Applicable

Seats: Seat Type: Not Applicable Material: Not Applicable
Function: Not Applicable Hinge Type: Not Applicable
Hinge Material: Not Applicable

Cisterns: Operating Type: Not Applicable Fittings: Not Applicable
Lever Type: Not Applicable

Basins: Tap Hole: Three Tapholes Chain Stay Hole: No
Template: Not Applicable Waste Type Req: Slotted
Overflow Inc: Yes Overflow Cover: Yes
Inner Bowl Depth (mm): 160mm