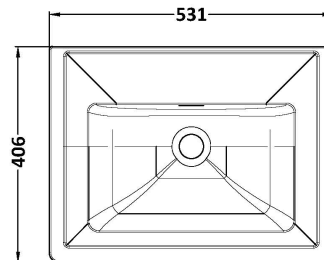
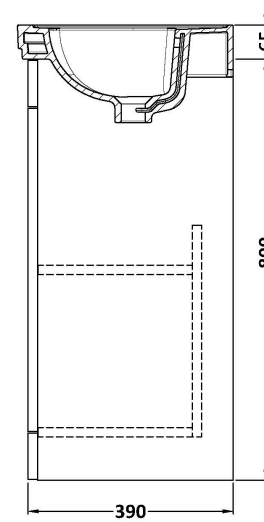
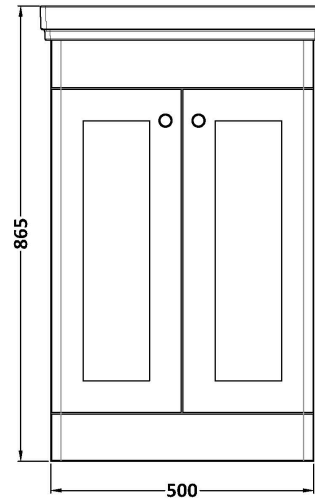


Sales Code: CLC123H

Description: 500 F/S 2-Door Unit & Basin 0Th

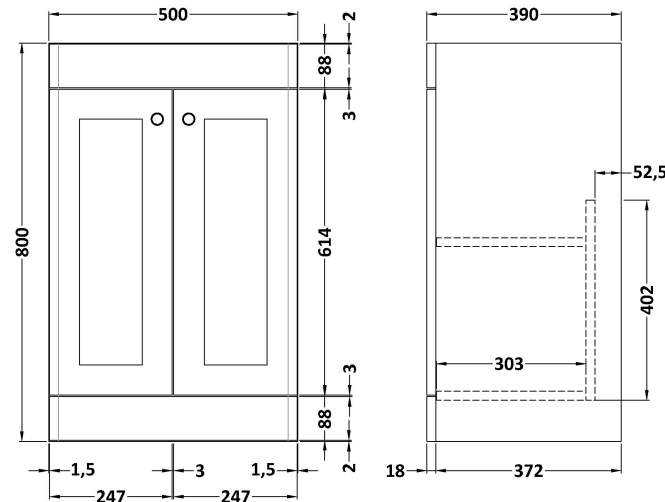
Packaging Details

Barcode: 5056678432709



Sales Code: CLA123

Description: 500 F/S 2-Door Unit (800X500x390)



Product Dimensions

Height (mm):	800
Width (mm):	500
Depth (mm):	390
Nett Weight (kg):	21

Packaging Dimensions

Height (mm):	835
Width (mm):	525
Depth (mm):	415
Gross Weight (kg):	21.5

Packaging Data

Box Colour:	Brown Cardboard Box
Box Qty:	1
Label Size:	100 x 50
Label Colour:	White Label
Label Qty:	2

Outer Box Dimensions (If Applicable)

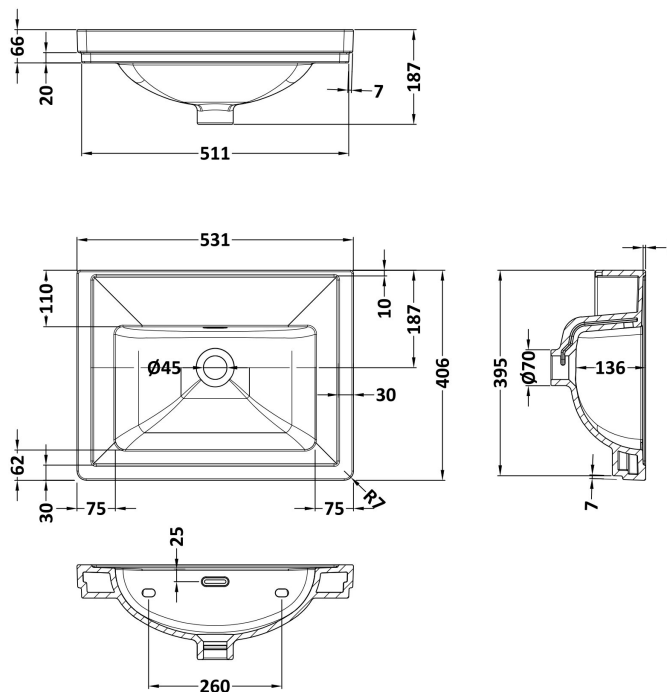
Height (mm):	
Width (mm):	
Depth (mm):	
Gross Weight (kg):	
Barcode:	5056462643106

Product Details

Country of Origin:	China
Fitting Instruction:	No
CE & UKCA:	N/A
FSC Certified Materials:	Yes
Colour:	Satin White
Construction Method:	Cam & Wood Dowel
Construction Type:	Rigid
Cabinet Finish:	MFC Painted Matt
Fascia Finish:	Mdf Painted Matt
Cabinet Thickness (mm):	18
Fascia Thickness (mm):	18
Drawer Included:	No
Drawer Type:	Not Applicable
No of Shelves:	1
Hinge Type:	95 Degree Clip-On Soft Close
Hinge Included:	Yes, Supplied
Adjustable Legs:	No, Not Required
Fixings Included:	Yes
Handle Style:	Traditional
Waste Shroud:	Not Applicable
Handle Included:	Yes, Supplied
Handle Type:	Knob

Sales Code: CBM512

Description: 500 Classic Basin (540X410x185) 0Th



Product Dimensions

Height (mm):	187
Width (mm):	531
Depth (mm):	406
Nett Weight (kg):	12.7

Packaging Dimensions

Height (mm):	430
Width (mm):	550
Depth (mm):	220
Gross Weight (kg):	13

Packaging Data

Box Colour:	Brown Cardboard Box - Printed
Box Qty:	1
Label Size:	100 x 50
Label Colour:	White Label
Label Qty:	2

Outer Box Dimensions (If Applicable)

Height (mm):	
Width (mm):	
Depth (mm):	
Gross Weight (kg):	
Barcode:	5056678431184

Product Details

Country of Origin:	Utd.Arab.Emir.	
Fitting Instruction:	No	
Certification: CE & UKCA:	No	WRAS: N/A WRAS No: N/A
Product Material:	Fireclay	
Fixing Supplied:	No	

Pans/Bidets: Trap Style: N/A Includes Seat: Not Applicable

Seats: Seat Type: N/A Material: Not Applicable
Function: Not Applicable Hinge Type: Not Applicable
Hinge Material: Not Applicable

Cisterns: Operating Type: Not Applicable Fittings: Not Applicable
Lever Type: Not Applicable

Basins: Tap Hole: No Tapholes Chain Stay Hole: No
Template: Not Required Waste Type Req: Slotted
Overflow Inc: Yes Overflow Cover: Yes
Inner Bowl Depth (mm): 136 mm