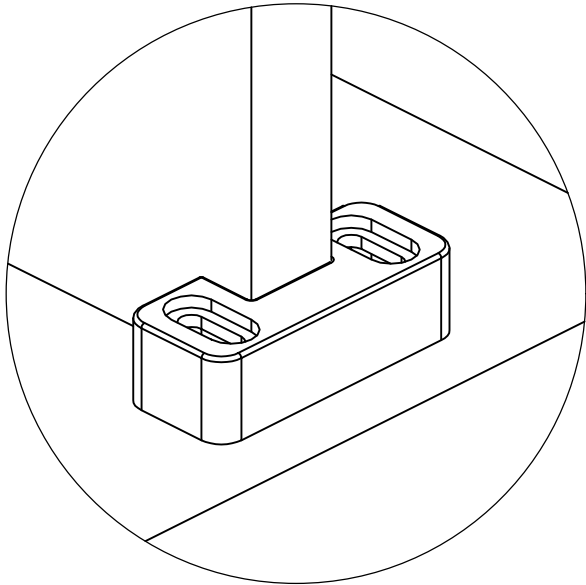


IMPORTANT NOTE!

WALK-THROUGH CONFIGURATION

POSITION THE GLASS PANEL IN THE DESIRED LOCATION AND MARK WITH A PENCIL. PLACE TOP BAR ASSEMBLIES ON TOP OF YOUR SCREEN CUTTING BAR "A" (x2) TO REQUIRED LENGTH.



POSITION THE SCREEN SUPPORT FEET EITHER SIDE OF THE GLASS PANEL AND FIT.

NOTE! DO NOT DRILL THROUGH A WET ROOM MEMBRANE (IF FITTED).

ONCE THE TOP BARS ARE CUT TO LENGTH SLIDE THE WALL SOCKET ONTO THE END, MARK THROUGH THE WALL SOCKET TOP HOLE ONTO THE BAR. (SCREWING A GRUB SCREW THROUGH WILL MARK IT). REMOVE THE SOCKET AND DRILL THROUGH THE BAR (TOP FACE ONLY) WHERE MARKED, DIA 5mm. THIS WILL ALLOW THE LONGER 10mm GRUB SCREW TO PASS INTO THE TUBE TO CREATE A MORE SECURE FIX. THE LONGER GRUB SCREW (10mm)

