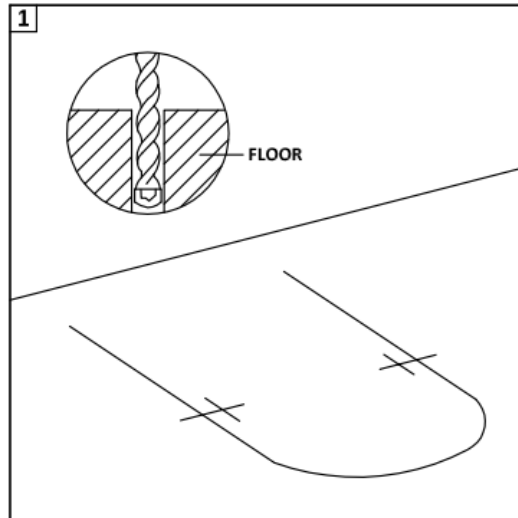
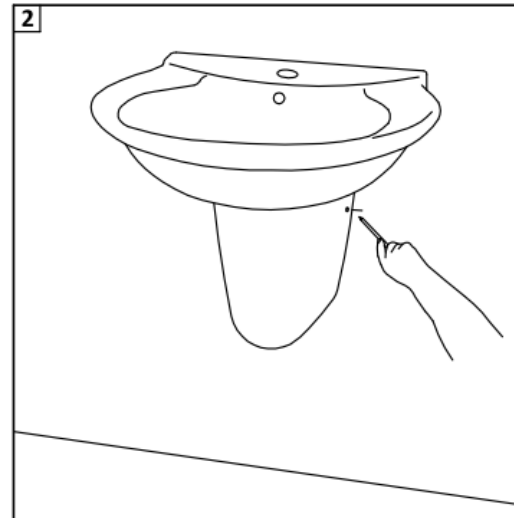


PAN / BIDET & SEMI PEDESTAL FIXING INSTRUCTION

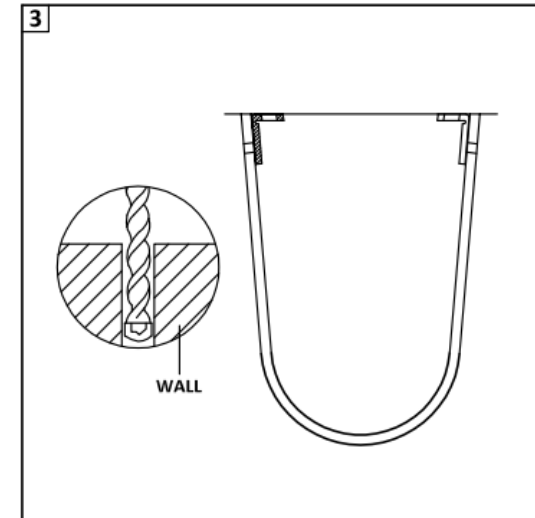
| FITTINGS LIST | | |
|---------------|---------------------|---|
| A | WALL BRACKETS | 2 |
| B | WALL PLUGS | 2 |
| C | 50mm HEX HEAD SCREW | 2 |
| D | 60mm C/SUNK SCREW | 2 |
| E | WASHERS | 2 |
| F | NYLON BUSHES | 2 |
| G | CHROME COVER CAPS | 2 |



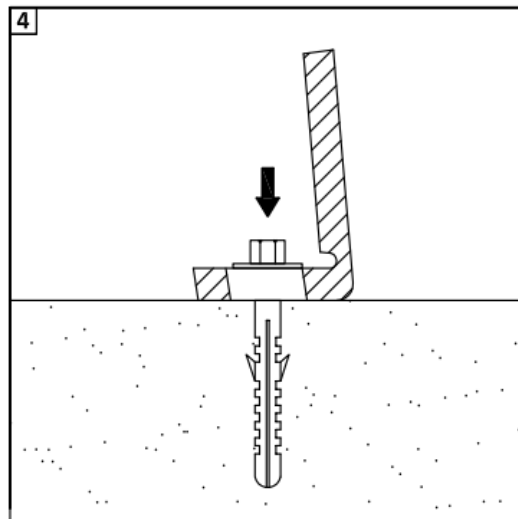
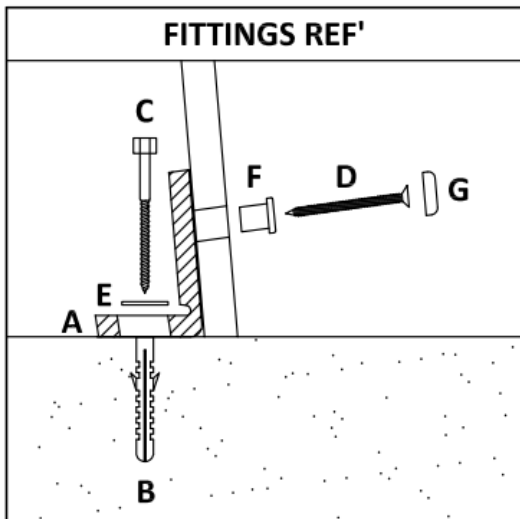
1 PAN FIXING - MARK POSITION OF THE PAN ON THE FLOOR. DRILL DIAMETER 10mm, MIN HOLE DEPTH 60mm.



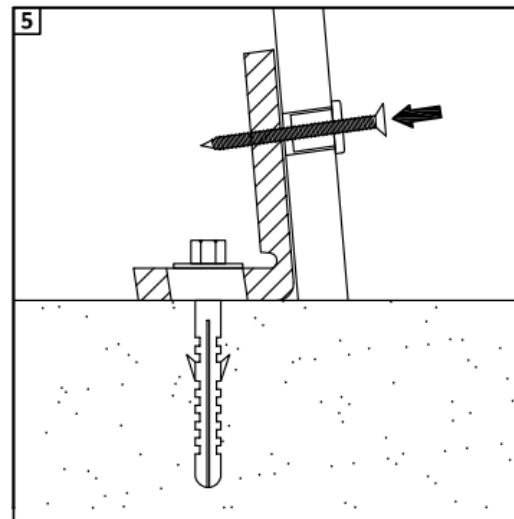
2 SEMI PEDESTAL FIXING - POSITION THE SEMI PEDESTAL UNDERNEATH THE BASIN AND LIGHTLY MARK THE HOLE POSITIONS ON EITHER SIDE.



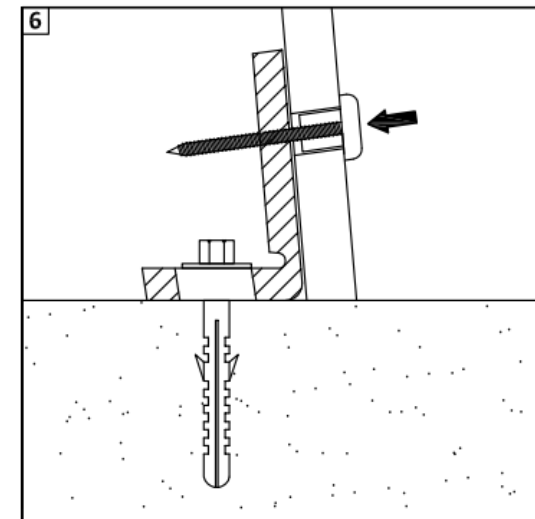
3 MEASURE AND MARK THE FIXING POINTS ON THE INSIDE. THEN DRILL 2 HOLES DIAMETER 10mm, MIN HOLE DEPTH 60mm.



4 FIX THE BRACKET TO THE WALL USING THE 50mm HEX HEADED SCREW.



5 FIT THE NYLON BUSH INTO THE SEMI-PED SIDE AND FIX PED USING THE 60mm SCREW.



6 FIT THE CHROME CAP OVER THE NYLON BUSH.