

Premium rimless luxury back to wall Doc M toilet pack



Product details

Warranty:	See individual products
Max rated load:	See individual products
Doc M compliant:	Yes
Suitable for wet areas:	Yes

Features

- Premium rimless design
- Complies with Part M of the Building Regulations
- Inlet valve and syphon Reg 4 Certified (WRAS, NSF, Kiwa, etc.)
- Concealed fixing stainless steel grab rails
- Universal - suitable for left or right handed transfer
- Simple one box solution

Finish options



Satin
Stainless Steel



Polished
Stainless Steel



Matt black
RAL 9005

Product description

Premium rimless left-handed luxury back to wall Doc M toilet pack
Premium rimless right-handed luxury back to wall Doc M toilet pack
Premium rimless left-handed luxury back to wall Doc M toilet pack, TMV3 valve
Premium rimless right-handed luxury back to wall Doc M toilet pack, TMV3 valve
Premium rimless left-handed luxury back to wall Doc M toilet pack, TMV3 tap
Premium rimless right-handed luxury back to wall Doc M toilet pack, TMV3 tap

Product code

NY03-DM-33001-**
NY03-DM-33002-**
NY03-DM-33101-**
NY03-DM-33102-**
NY03-DM-33201-**
NY03-DM-33202-**

Replace ** with finish option code above e.g., NY03-DM-33001-SP

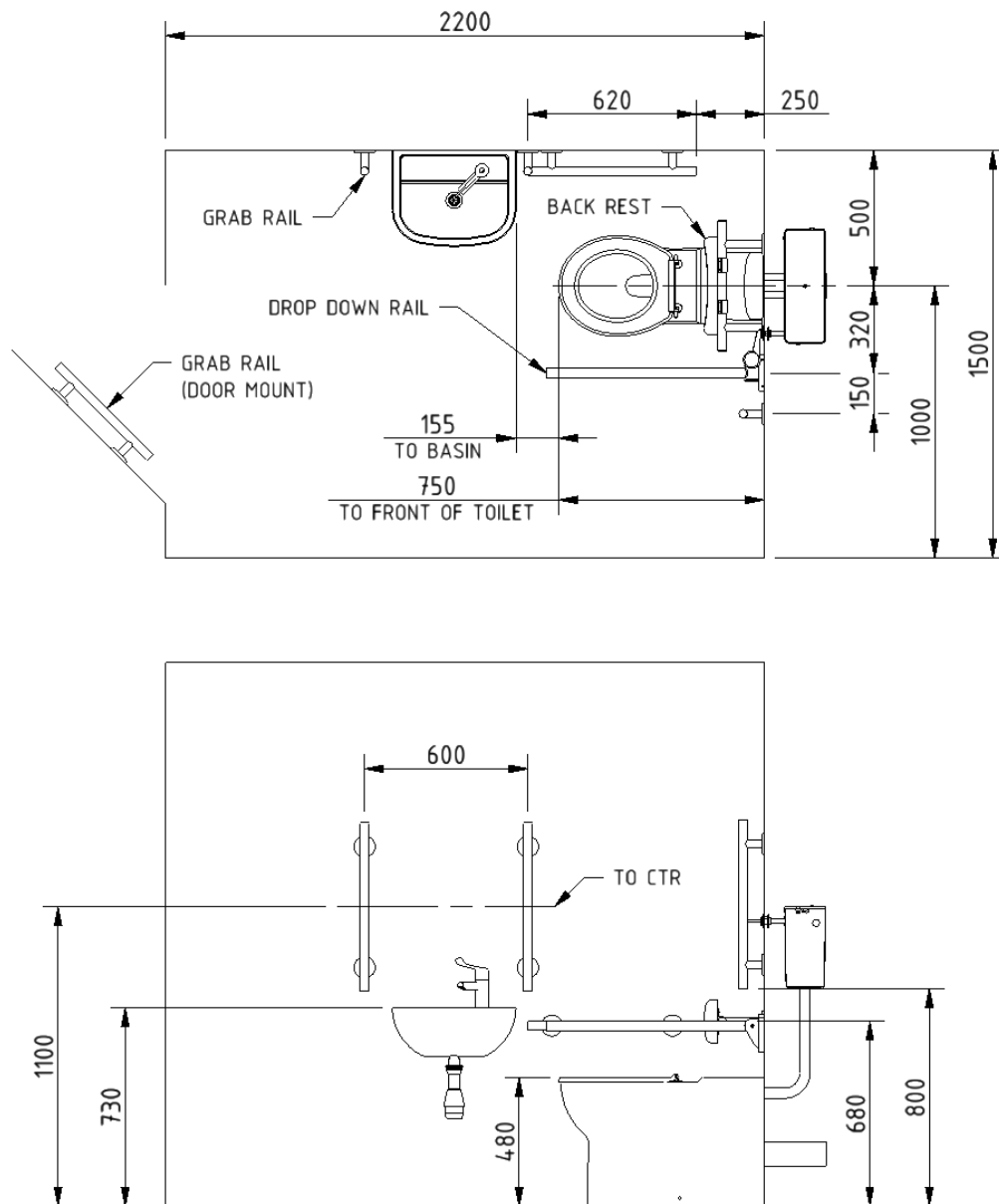
Disclaimer

NYMAS Group makes every effort to ensure that the information provided on this data sheet is correct. However, we cannot guarantee this, and accept no liability for any information or advice given on this data sheet.

Pack contents

- 4 x 600mm stainless steel luxury grab rails with concealed fixings
- 1 x 450mm stainless steel luxury grab rail with concealed fixings
- 1 x 800mm stainless steel contemporary hinged support rail
- 1 x 220mm stainless steel luxury back rest rail and pad with concealed fixings
- 1 x Back to wall premium rimless Doc M pan
- 1 x Concealed cistern with fittings, flush pipe, and Doc M concealed cistern spatula lever
- 1 x Ring only toilet seat
- 1 x Left or right handed 1 tap hole basin
- 1 x Sequential basin mixer tap (optional thermostatic mixer tap - NY03-DM-3320x only)
- 1 x TMV3 Valve (NY03-DM-3310x only)

Dimensions (mm)



Premium rimless back to wall Doc M pan



Product details

Warranty:	Lifetime
Max rated load:	400 kg
Doc M compliant:	Yes
Suitable for wet areas:	Yes

Features

- Rimless design for ease of cleaning
- Extended projection to aid compliance with Part M of the Building Regulations
- UKCA and CE compliant
- Comfort height to allow easier side transfer from wheelchair

Finish options



White
RAL 9016

Product description

Premium rimless back to wall Doc M pan

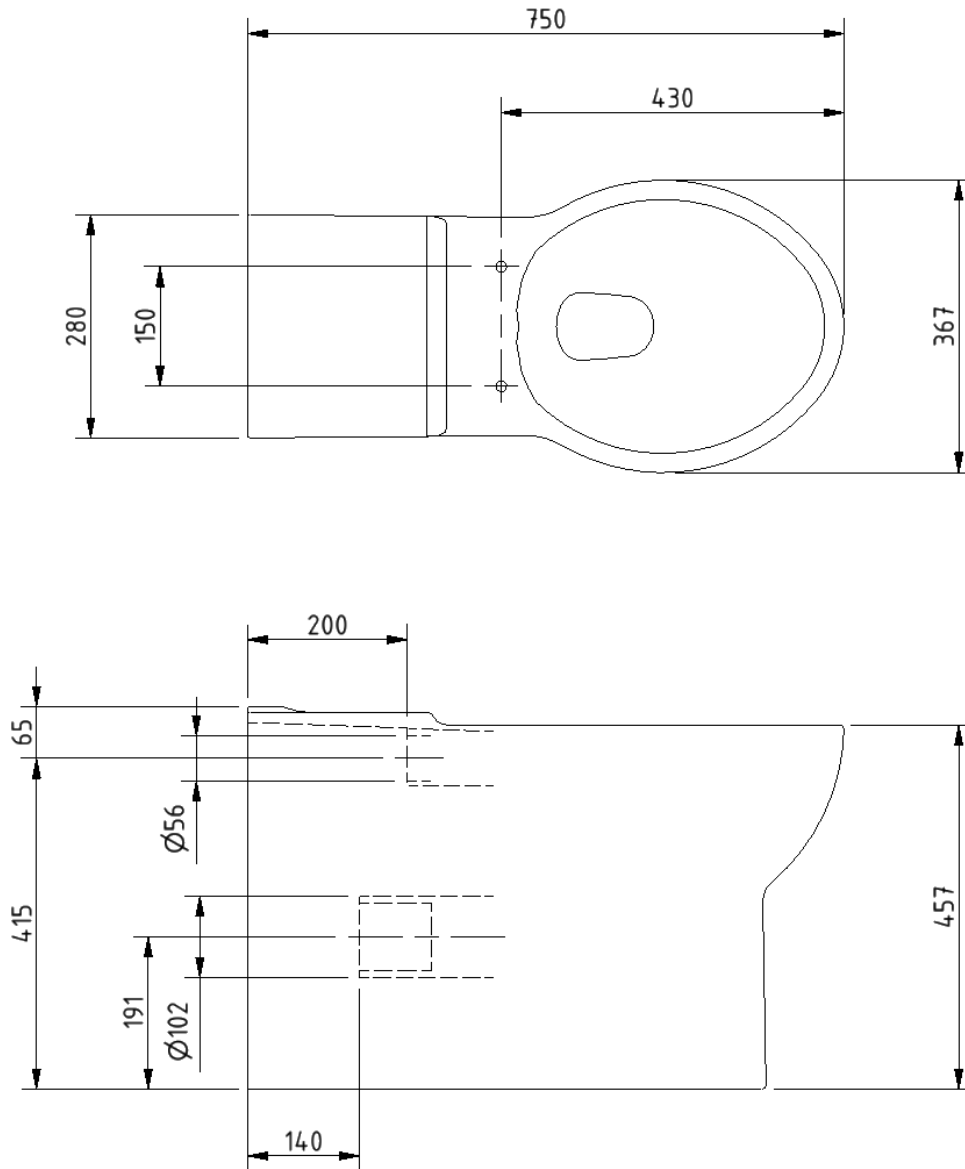
Product code

NY02-SW-33000-WH

Disclaimer

NYMAS Group makes every effort to ensure that the information provided on this data sheet is correct. However, we cannot guarantee this, and accept no liability for any information or advice given on this data sheet.

Dimensions (mm)



Concealed cistern and fittings



Product details

Warranty: 2 years

Max rated load: N/A

Doc M compliant: N/A

Suitable for wet areas: Yes

Features

- Syphon and inlet valve Reg 4 Certified (WRAS, NSF, Kiwa, etc.)
- Top access
- 6 litre flush
- Internal / external overflow warning
- High density polystyrene construction

Does not come with flush lever or flush pipe

Product description

Concealed cistern and fittings, no lever or flush pipe

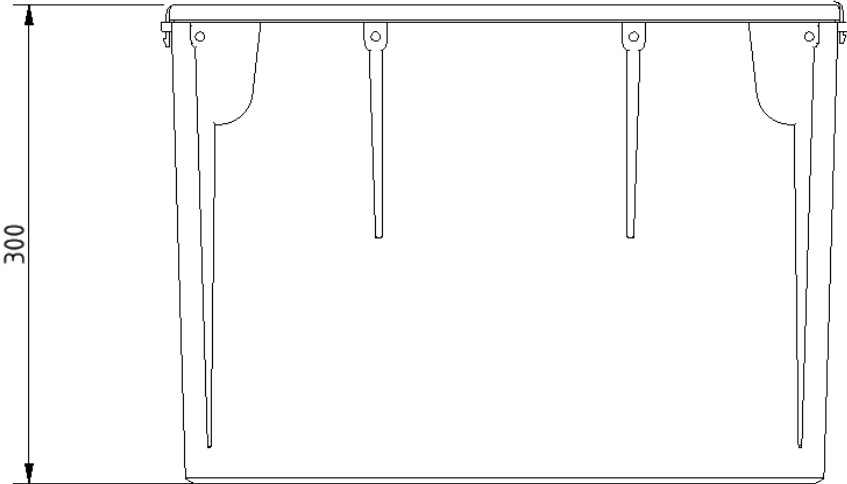
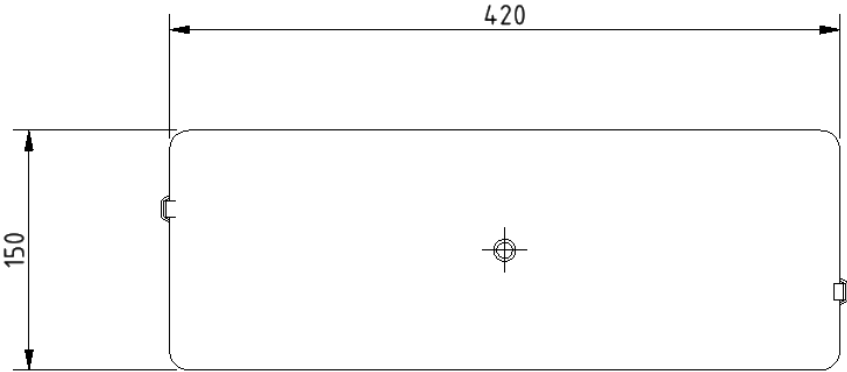
Product code

B-CISTHIDE

Disclaimer

NYMAS Group makes every effort to ensure that the information provided on this data sheet is correct. However, we cannot guarantee this, and accept no liability for any information or advice given on this data sheet.

Dimensions (mm)



Concealed cistern spatula lever



Product details

Warranty: 2 years

Max rated load: n/a

Doc M compliant: Yes

Suitable for wet areas: Yes

Features

- Complies with Part M of the Building Regulations
- Easy operation for users with limited dexterity
- For use with concealed cisterns

Finish options



Polished
chrome

Product description

Concealed cistern spatula lever, 215mm spindle, polished chrome

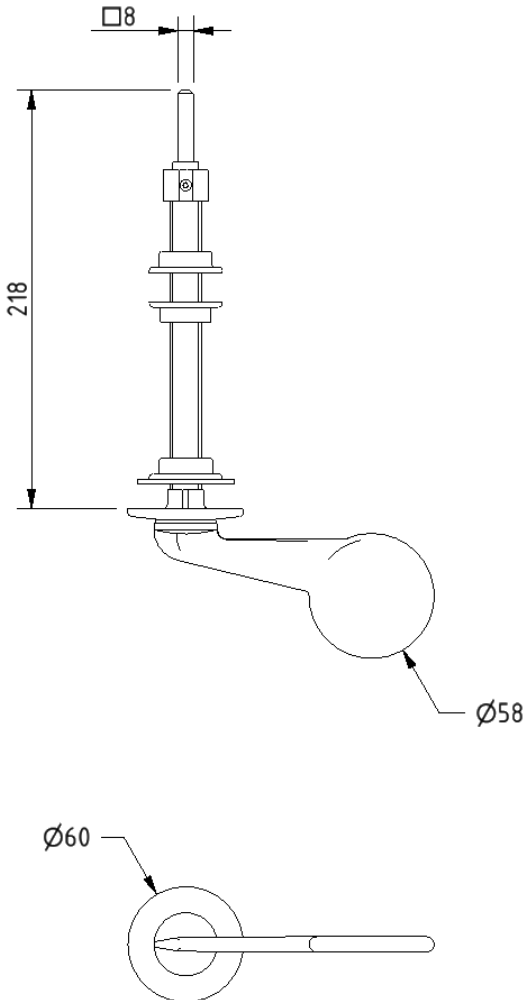
Product code

P-000243-X00X

Disclaimer

NYMAS Group makes every effort to ensure that the information provided on this data sheet is correct. However, we cannot guarantee this, and accept no liability for any information or advice given on this data sheet.

Dimensions (mm)



Plastic flush pipe



Product details

Warranty:	2 years
Max rated load:	n/a
Doc M compliant:	Yes
Suitable for wet areas:	Yes

Features

- Manufactured with a 38mm outside diameter
- One-piece 90° swept bend
- High quality PVC construction

Finish options

WH

White
RAL 9016

Product description

Flush pipe, 610mm x 610mm x 38mm, white

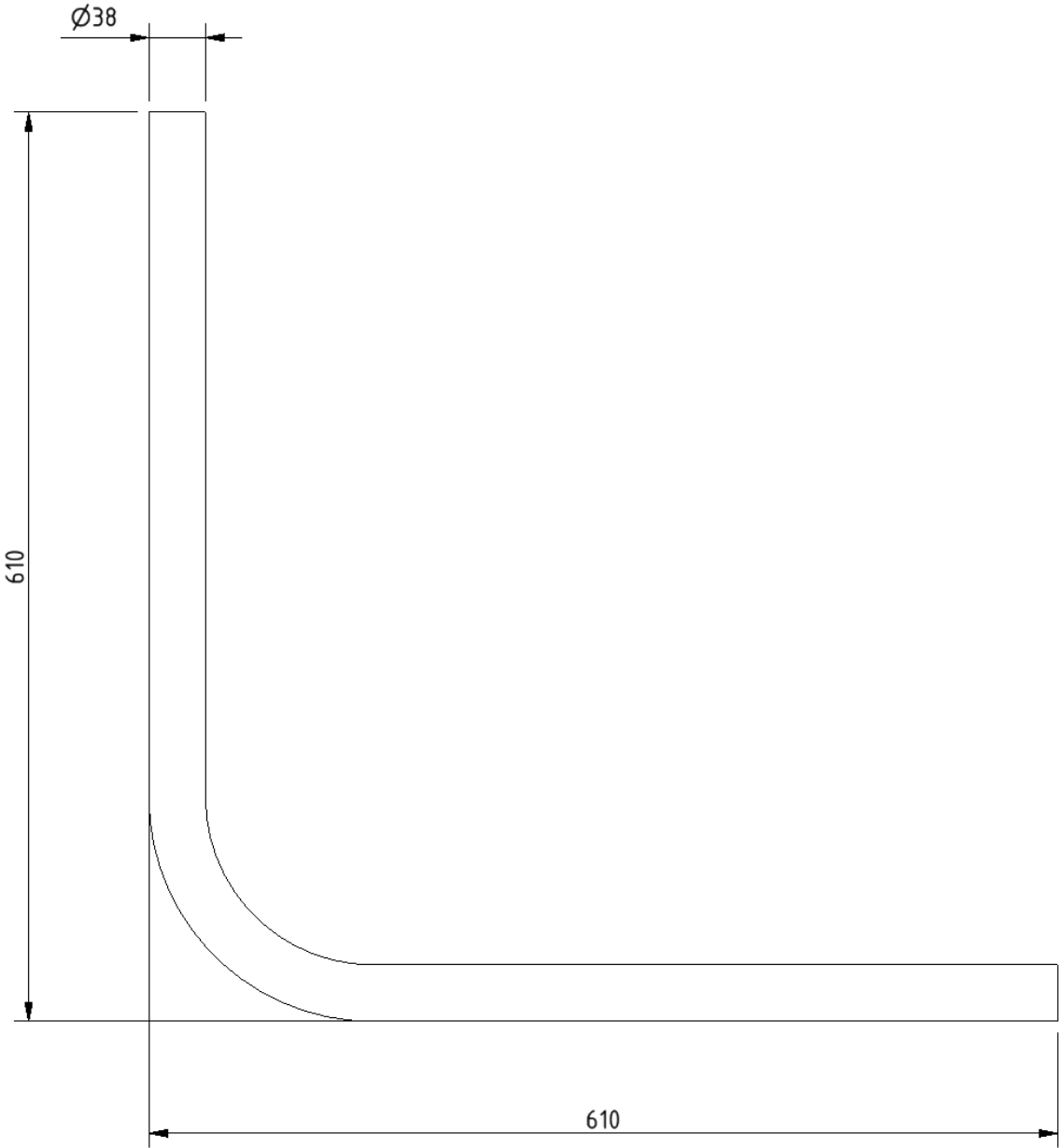
Product code

CP-OMI-1245

Disclaimer

NYMAS Group makes every effort to ensure that the information provided on this data sheet is correct. However, we cannot guarantee this, and accept no liability for any information or advice given on this data sheet.

Dimensions (mm)



Toilet seat, ring only, stainless steel pillar hinge



Product details

Warranty:	2 years
Max rated load:	150 kg
Doc M compliant:	Yes
Suitable for wet areas:	Yes

Features

- Complies with Part M of the Building Regulations
- Anti-bacterial, strong and durable Duroplast seat
- Ergonomic and comfortable shape
- Stainless steel hinge (bottom fix as standard)
Additional hinge pack to convert to top fix: NY-TOPFIXHINGE
- Adjustable locating buffers
- Fits close coupled, low level, back to wall and wall hung pans

Finish options



White
RAL 9016



Dark blue
RAL 5011



Dark grey
RAL 7016



Grey
RAL 7005

Product description

Toilet seat, ring only, stainless steel pillar hinge, dark blue (RAL 5011)
Toilet seat, ring only, stainless steel pillar hinge, dark grey (RAL 7016)
Toilet seat, ring only, stainless steel pillar hinge, grey (RAL 7005)
Toilet seat, ring only, stainless steel pillar hinge, white (RAL 9016)

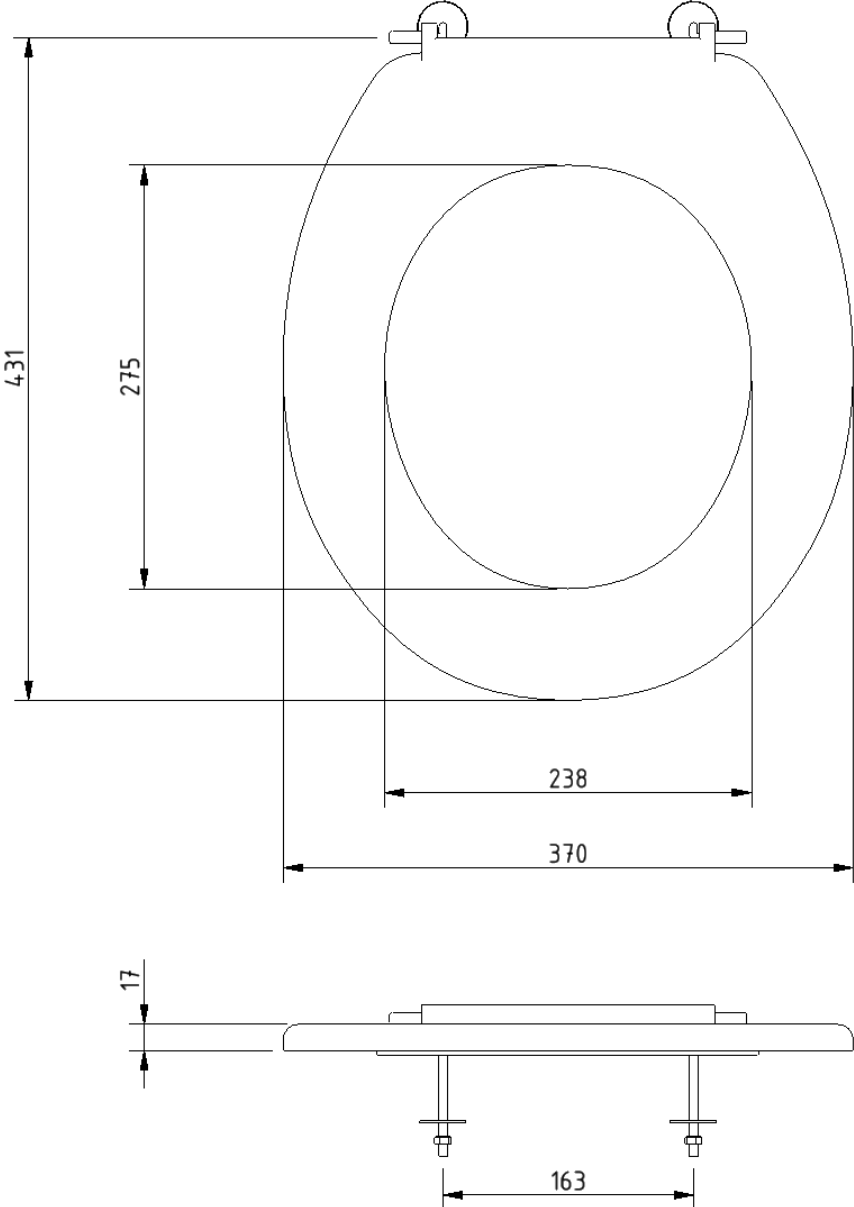
Product code

260015/DB
260015/DG
260015/GY
260015/WH

Disclaimer

NYMAS Group makes every effort to ensure that the information provided on this data sheet is correct. However, we cannot guarantee this, and accept no liability for any information or advice given on this data sheet.

Dimensions (mm)



Top fix toilet seat hinge



Product details

Warranty: 2 years

Max rated load: n/a

Doc M compliant: n/a

Suitable for wet areas: Yes

Features

- Toilet seat hinge for use with premium rimless sanitary ware

Finish options

Not applicable

Product description

Top fix toilet seat hinge

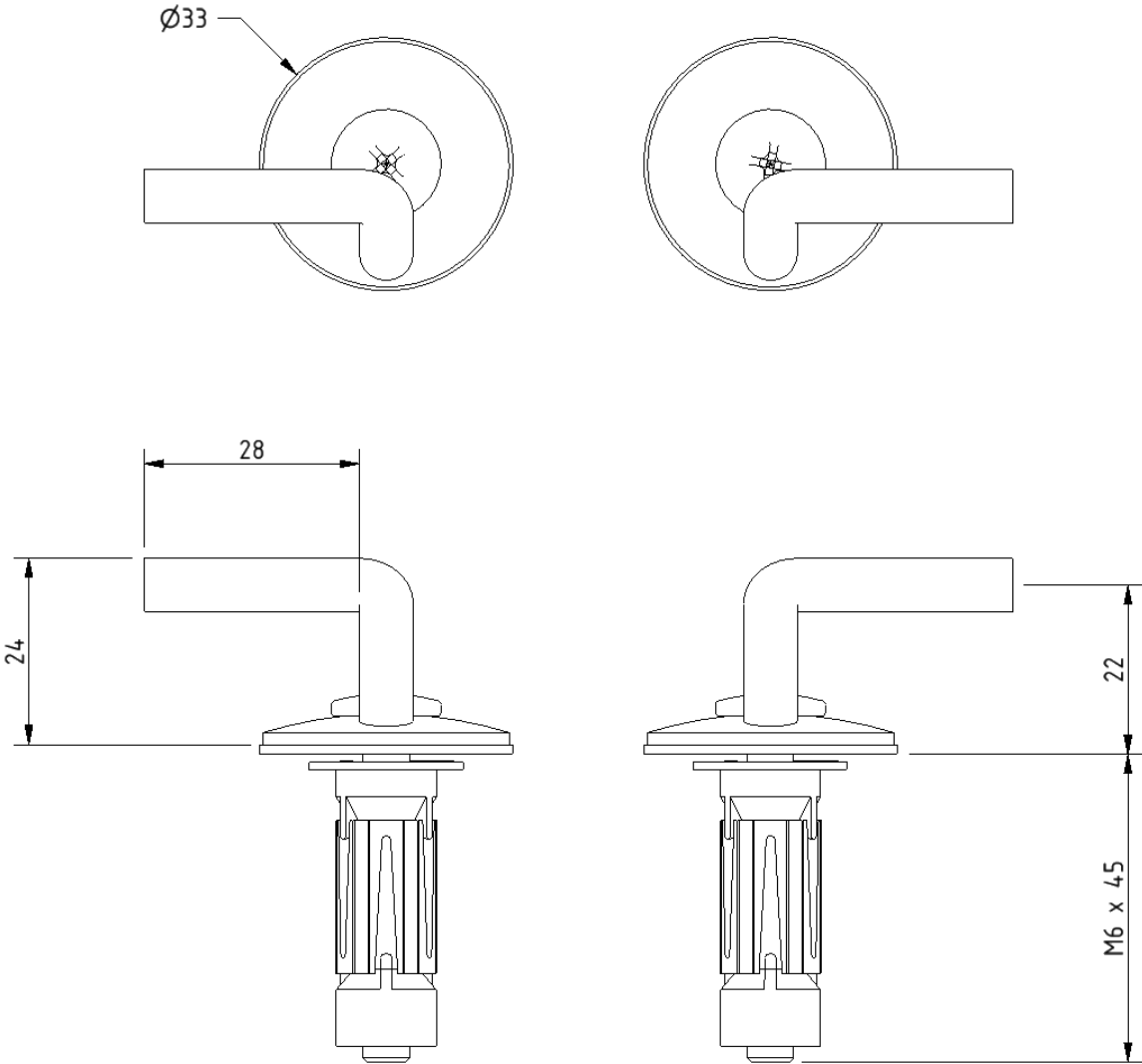
Product code

NY-TOPFIXHINGE

Disclaimer

NYMAS Group makes every effort to ensure that the information provided on this data sheet is correct. However, we cannot guarantee this, and accept no liability for any information or advice given on this data sheet.

Dimensions (mm)



Premium Doc M basin



Product details

Warranty:	Lifetime
Max rated load:	n/a
Doc M compliant:	Yes
Suitable for wet areas:	Yes

Features

- Multiple tap hole configurations available removing the need for blanking caps
- Complies with Part M of the Building Regulations
- No overflow

Does NOT come with wall fixings (P-000247-X00X)

Finish options

WH

White
RAL 9016

Product description

- Premium Doc M basin, two tap holes, no overflow, white
- Premium Doc M basin, left handed tap hole, no overflow, white
- Premium Doc M basin, right handed tap hole, no overflow, white
- Premium Doc M basin, central tap hole, no overflow, white

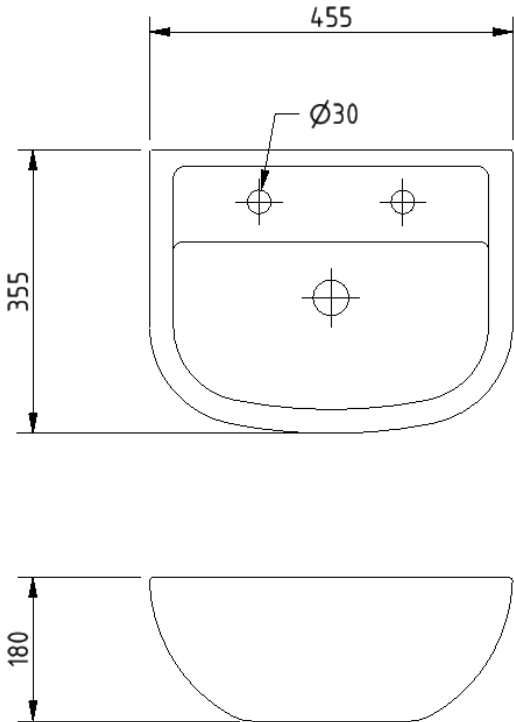
Product code

- NY02-SW-00100-WH
- NY02-SW-00101-WH
- NY02-SW-00102-WH
- NY02-SW-00103-WH

Disclaimer

NYMAS Group makes every effort to ensure that the information provided on this data sheet is correct. However, we cannot guarantee this, and accept no liability for any information or advice given on this data sheet.

Dimensions (mm)



FOR TAP HOLE POSITION DIMENSIONS SEE PRODUCT SPECIFIC MARKETING DRAWING

Polished chrome sequential basin mixer tap



Product details

Warranty:	2 years
Max rated load:	n/a
Doc M compliant:	Yes
Suitable for wet areas:	Yes
Flexi tap tail connection (to tap body):	M10 Thread
Flexi tap tail (onward connection):	3/4 Inch Diameter Thread

Features

- Reg 4 Certified (WRAS, NSF, Kiwa, etc.)
- Easy operation for users with limited dexterity
- Cold start

Finish options



Polished chrome

Product description

Sequential basin mixer tap, polished chrome

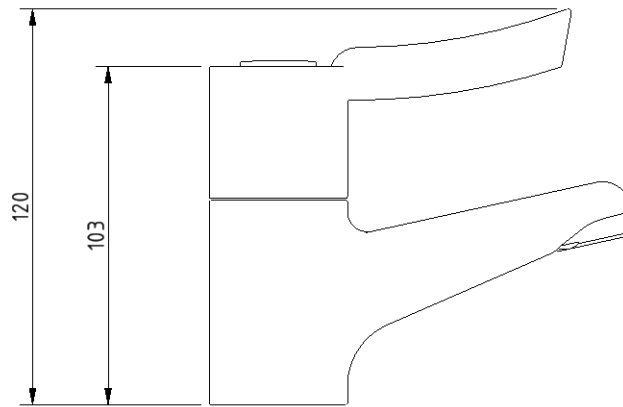
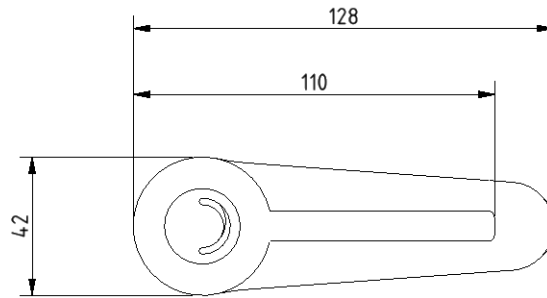
Product code

BPLMON

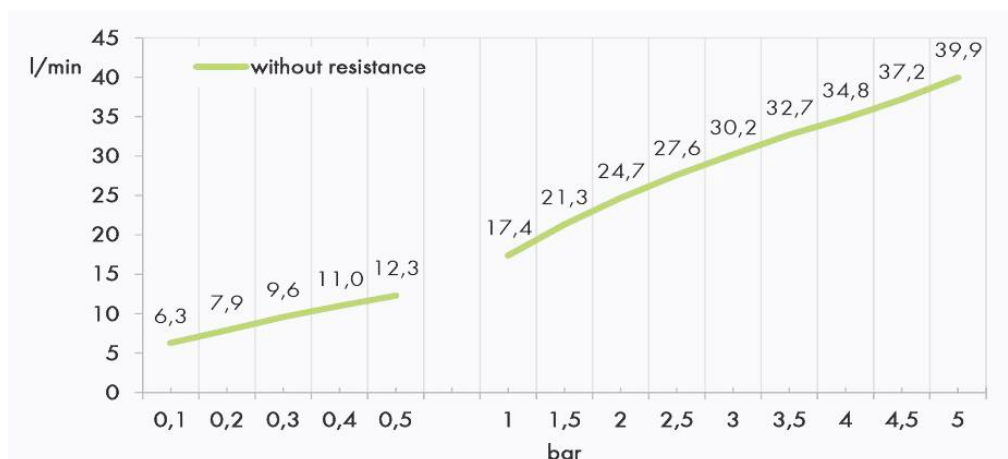
Disclaimer

NYMAS Group makes every effort to ensure that the information provided on this data sheet is correct. However, we cannot guarantee this, and accept no liability for any information or advice given on this data sheet.

Dimensions (mm)



Flow Rate Curve



Procedure:

Flow Determination

Pressure:

3,0 Bar

Cold:

18,9 l/min

Hot:

19 l/min

To 38 deg C:

26 l/min

Flange for BPLMON mixer tap



Product details

Warranty:	2 years
Max rated load:	n/a
Doc M compliant:	No
Suitable for wet areas:	Yes

Features

- Increased diameter allows BPLMON to fit basins with large tap hole

Finish options



Polished
chrome

Product description

Flange for BPLMON mixer tap, polished chrome

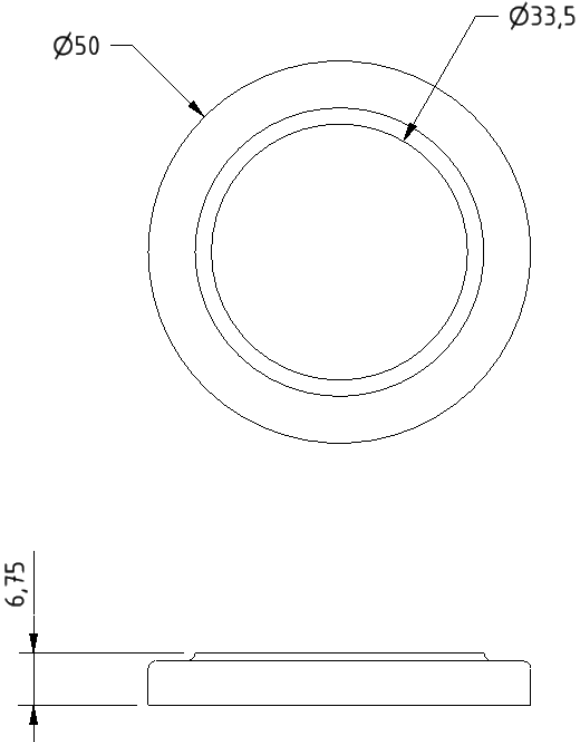
Product code

P-000246-X00X

Disclaimer

NYMAS Group makes every effort to ensure that the information provided on this data sheet is correct. However, we cannot guarantee this, and accept no liability for any information or advice given on this data sheet.

Dimensions (mm)



Basin waste with stainless steel grid, no plug



Product details

Warranty: 2years

Max rated load: n/a

Doc M compliant: n/a

Suitable for wet areas: Yes

Features

- Quick and simple installation
- Manufactured from high quality materials
- Stainless steel grid
- Plastic Body

Finish options

Not applicable

Product description

Basin waste with stainless steel grid, no plug

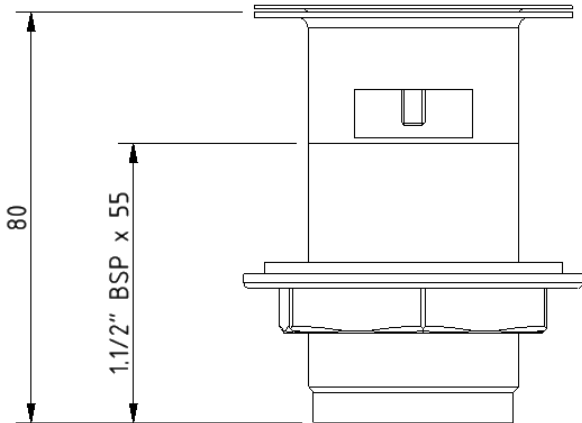
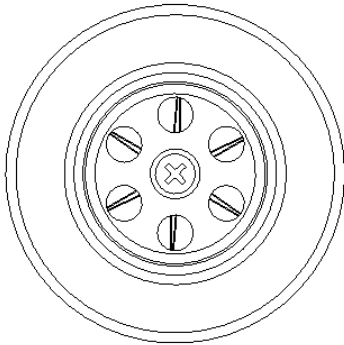
Product code

P-000241-X00X

Disclaimer

NYMAS Group makes every effort to ensure that the information provided on this data sheet is correct. However, we cannot guarantee this, and accept no liability for any information or advice given on this data sheet.

Dimensions (mm)



Luxury straight stainless steel grab rail with concealed fixings



Product details

Warranty:	5 years
Max rated load:	200 kg
Doc M compliant:	Yes
Suitable for wet areas:	Yes

Features

- High quality stainless steel construction
- Concealed fixings
- Stylish T-bar design
- Complies with Part M of the Building Regulations

Finish options



Satin
Stainless Steel



Polished
Stainless Steel



Matt black
RAL 9005

Product description

Luxury grab rail, straight, stainless steel, concealed fixings, 355mm
Luxury grab rail, straight, stainless steel, concealed fixings, 480mm
Luxury grab rail, straight, stainless steel, concealed fixings, 620mm
Luxury grab rail, straight, stainless steel, concealed fixings, 900mm

Product code

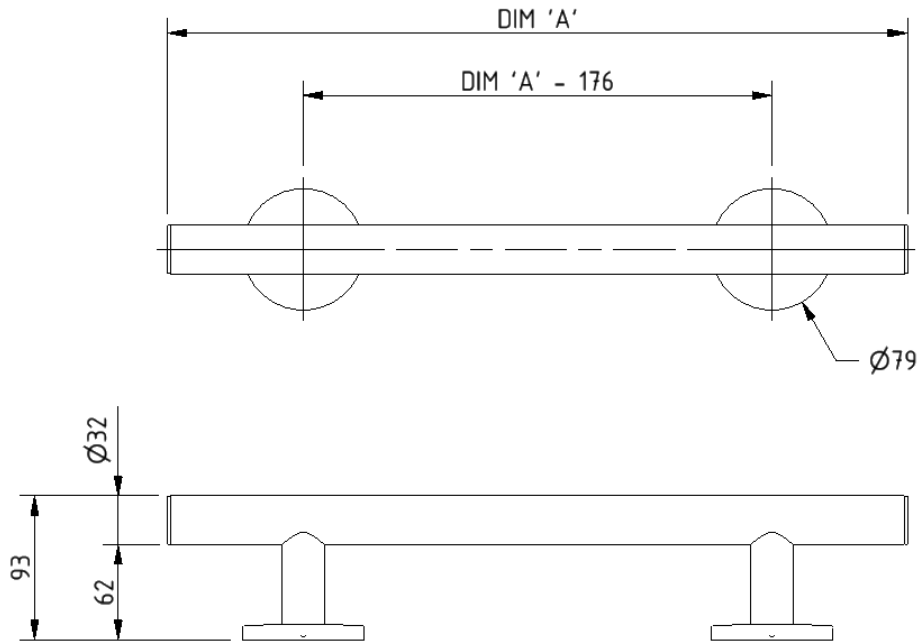
311435/**
311448/**
311462/**
311490/**

Replace ** with finish option code above e.g., 311435/SP

Disclaimer

NYMAS Group makes every effort to ensure that the information provided on this data sheet is correct. However, we cannot guarantee this, and accept no liability for any information or advice given on this data sheet.

Dimensions (mm)



PRODUCT CODE	311435/**	311448/**	311462/**	311490/**
DIM 'A'	355	480	620	900

Contemporary stainless steel single arm friction hinged rail with concealed fixing



Product details

Warranty: 5 years

Max rated load: 90 kg

Doc M compliant: Yes

Suitable for wet areas: Yes

Features

- Contemporary single arm design
- Premium friction folding mechanism
- High quality stainless steel construction
- Complies with Part M of the Building Regulations

Finish options



Satin
Stainless Steel



Polished
Stainless Steel



Matt black
RAL 9005

Product description

Contemporary single arm friction rail, stainless steel, concealed fixings

Product code

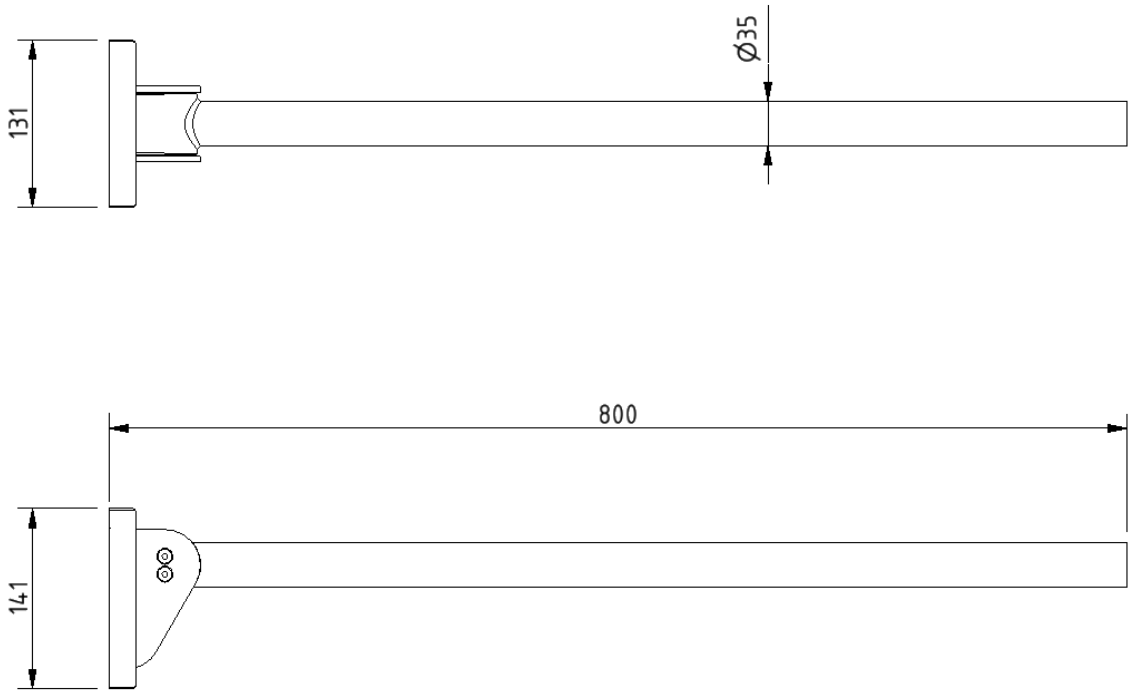
310480C/**

Replace ** with finish option code above e.g., 310480C/SP

Disclaimer

NYMAS Group makes every effort to ensure that the information provided on this data sheet is correct. However, we cannot guarantee this, and accept no liability for any information or advice given on this data sheet.

Dimensions (mm)



Luxury stainless steel back rest rail and pad with concealed fixings



Product details

Warranty:	5 years
Max rated load:	n/a
Doc M compliant:	Yes
Suitable for wet areas:	Yes

Features

- Durable wipe clean polyurethane pad
- Non-corrosive stainless steel construction
- Saddle clips for fixing pad to rail
- Complies with Part M of the Building Regulations
- Stylish T-Bar design

Finish options



Satin
Stainless Steel



Polished
Stainless Steel



Matt black
RAL 9005

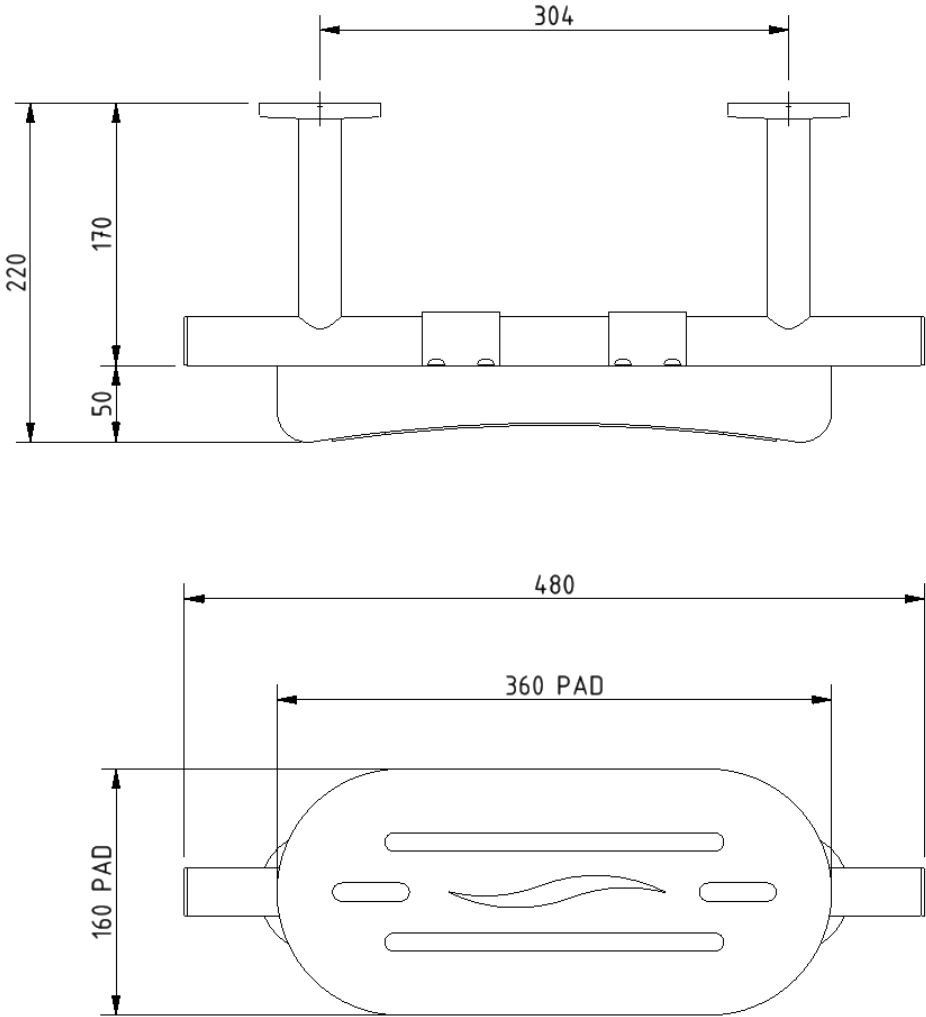
Product description

Product description	Product code
Luxury back rest rail, including pad, stainless steel, concealed fixings, overall projection 220mm, matt black	311300/MB
Luxury back rest rail, including pad, stainless steel, concealed fixings, overall projection 220mm, polished	311300/SP
Luxury back rest rail, including pad, stainless steel, concealed fixings, overall projection 220mm, satin	311300/SS

Disclaimer

NYMAS Group makes every effort to ensure that the information provided on this data sheet is correct. However, we cannot guarantee this, and accept no liability for any information or advice given on this data sheet.

Dimensions (mm)



TMV3 thermostatic mixer tap



Product details

Warranty:	5 years
Max rated load:	n/a
Doc M compliant:	Yes
Suitable for wet areas:	Yes
Max Inlet Temp:	85°C
Factory Set Temp:	43°C
Max Operating Pressure:	10 BAR Static
Min Inlet Pressure:	0.2 BAR Dynamic

Features

- Reg 4 Certified (WRAS, NSF, Kiwa, etc.)
- Safe touch body
- Copper inlet tails
- Self-draining spout
- Complies with Part M of the Building Regulations
- Easy operation for users with limited dexterity

Finish options



Polished
chrome

Product description

TMV3 thermostatic mixer tap, polished chrome

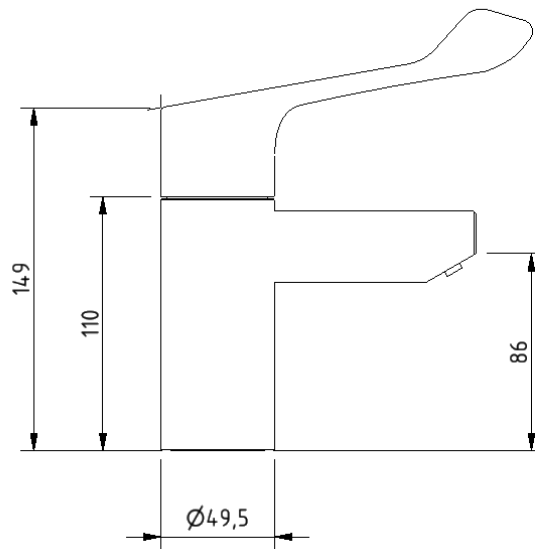
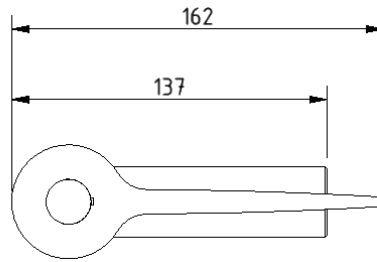
Product code

TAPTMV/CP

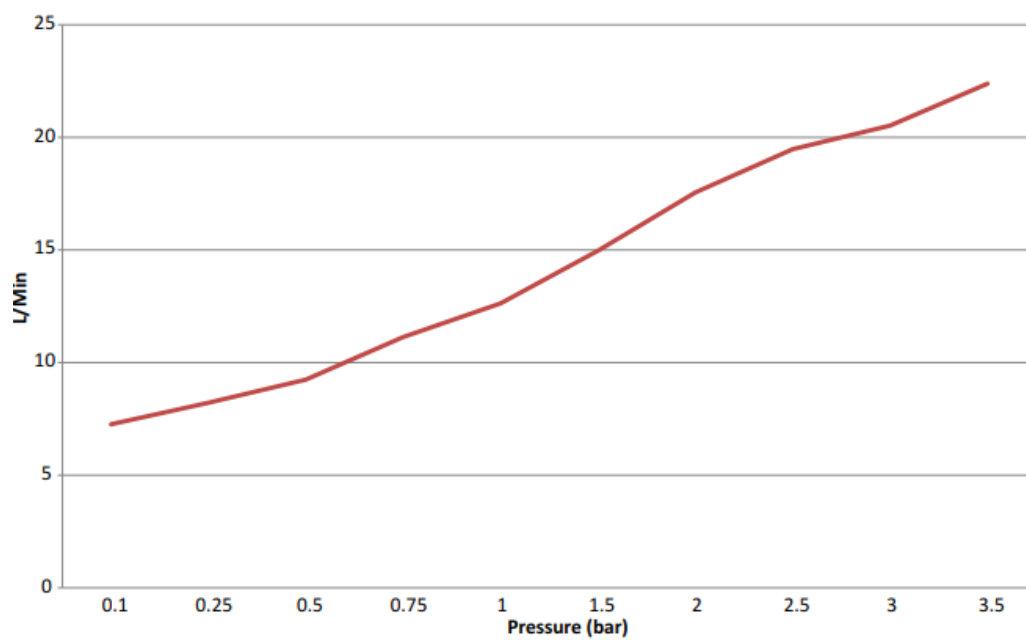
Disclaimer

NYMAS Group makes every effort to ensure that the information provided on this data sheet is correct. However, we cannot guarantee this, and accept no liability for any information or advice given on this data sheet.

Dimensions (mm)



FLOW RATE FOR TAPT MV



TMV3 inline thermostatic mixing valve



Product details

Warranty:	2 years
Max rated load:	n/a
Doc M compliant:	Yes
Suitable for wet areas:	Yes

Features

- TMV3 approved & Reg 4 Certified (WRAS, NSF, Kiwa, etc.)
- Complies with Part M of the Building Regulations
- Building Regulations Part G compliant
- Highly resistant to scaling
- Anti-tamper proof head

Finish options



CP

Polished
chrome

Product description

TMV3 inline thermostatic mixing valve - 15mm

Product code

BPLTMV

Disclaimer

NYMAS Group makes every effort to ensure that the information provided on this data sheet is correct. However, we cannot guarantee this, and accept no liability for any information or advice given on this data sheet.

Dimensions (mm)

