

Rimless close coupled Doc M toilet pack, steel, exposed fixings



Product details

Warranty:	See individual products
Maximum load:	See individual products
Doc M compliant:	Yes
Suitable for wet areas:	No

Features

- Complies with Part M of the Building Regulations
- Inlet valve and syphon Reg 4 Certified (WRAS, NSF, Kiwa, etc.)
- Hygienic rimless pan with robust dedicated seat
- Optional TMV3 Valve (F20-CCTX-MSE-**)
- Optional Doc M push button (F20-CCPB-MSE-**)
- Universal - suitable for left or right-handed transfer
- Simple one box solution

Finish options

WH

White
RAL 9016

DB

Dark blue
RAL 5011

DG

Dark grey
RAL 7016

GY

Grey
RAL 7005

Product description

Rimless close coupled Doc M toilet pack, steel, exposed fixings

Rimless close coupled Doc M toilet pack, steel, exposed fixings, TMV3 valve Close

Rimless close coupled Doc M toilet pack, steel, exposed fixings, push button

Product code

F20-CCXX-MSE-**

F20-CCTX-MSE-**

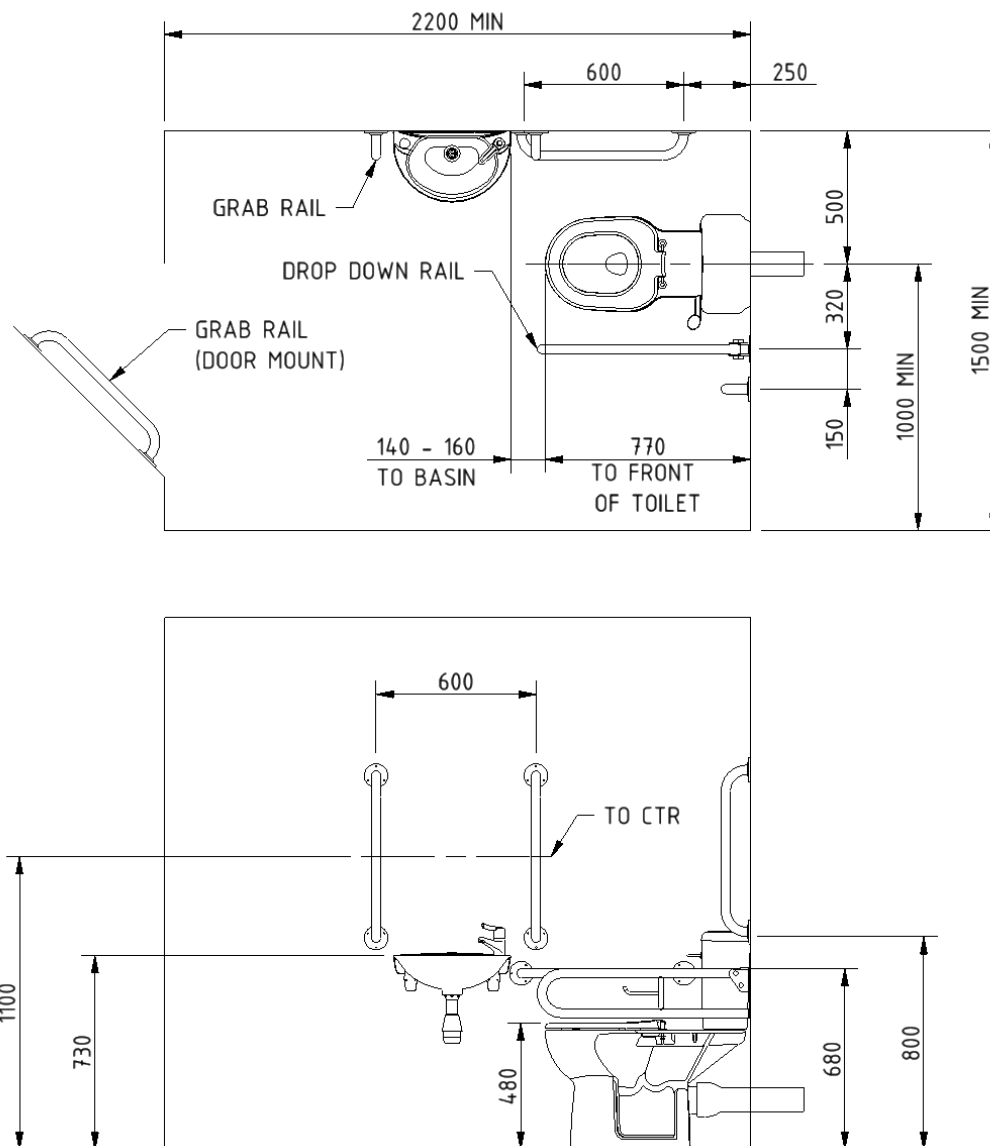
F20-CCPB-MSE-**

Replace ** with finish option code above e.g., F20-CCXX-MSE-DB

Pack contents

- 5 x 600mm coated steel grab rails with exposed fixings
- 1 x 800mm coated steel hinged support rail with toilet roll holder
- 1 x Close coupled rimless Doc M projection pan
- 1 x Close coupled cistern with fittings and Doc M spatula lever (optional Doc M push button - F20-CCPB-MSE-** only)
- 1 x Ring only toilet seat
- 1 x Two tap hole basin
- 1 x Sequential basin mixer tap
- 1 x Tap hole stopper
- 1 x Basin waste
- 1 x TMV3 Valve (F20-CCTX-MSE-** only)

Dimensions (mm)



Disclaimer

NYMAS Group makes every effort to ensure that the information provided on this data sheet is correct. However, we cannot guarantee this, and accept no liability for any information or advice given on this data sheet.

Close coupled rimless Doc M pan



Product details

Warranty:	Lifetime
Maximum load:	400 kg
Doc M compliant:	Yes
Suitable for wet areas:	Yes

Features

- Extended projection to comply with Part M of the Building Regulations
- Rimless design for ease of cleaning
- Comfort height to allow easier side transfer from wheelchair
- UKCA & CE compliant
- Ceramic body

Finish options

WH

White
RAL 9016

Product description

Close coupled rimless Doc M pan

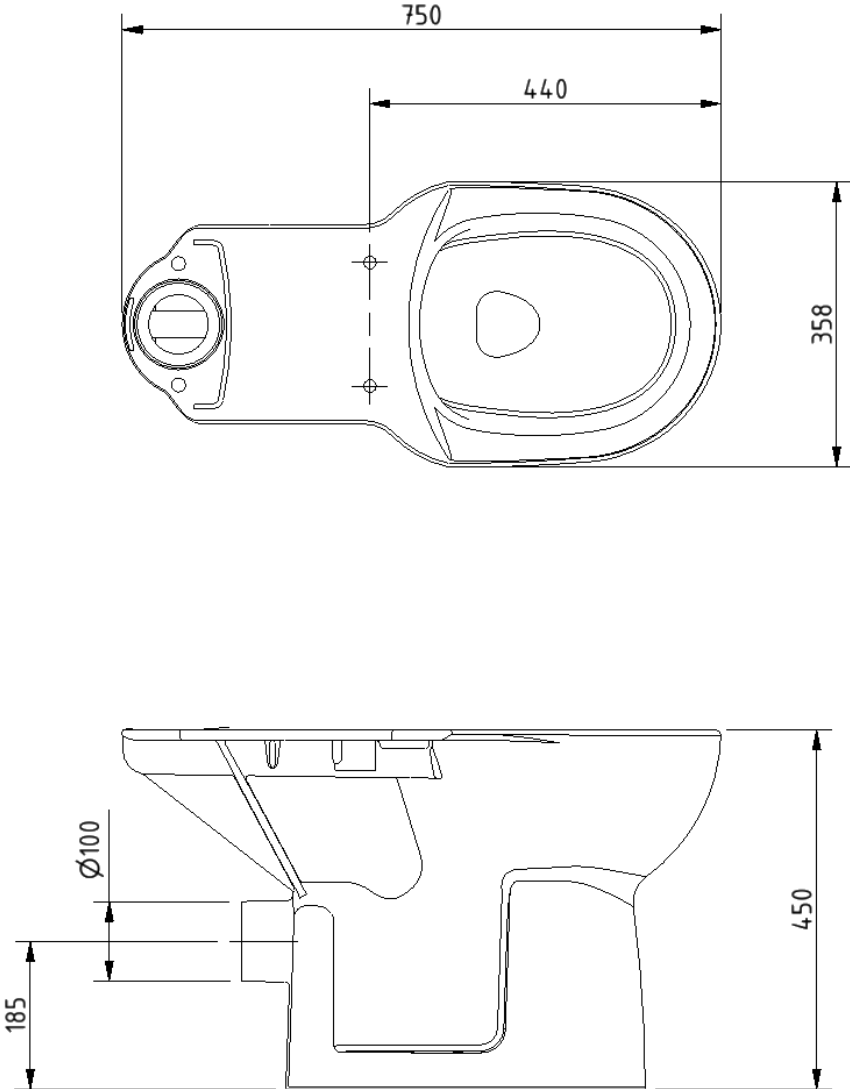
Product code

NY01-PANCC02-WH

Disclaimer

NYMAS Group makes every effort to ensure that the information provided on this data sheet is correct. However, we cannot guarantee this, and accept no liability for any information or advice given on this data sheet.

Dimensions (mm)



Close coupled minimal cistern tank



Product details

Warranty:	Lifetime
Max rated load:	n/a
Doc M compliant:	Yes
Suitable for wet areas:	Yes

Features

- Modern minimal design
- Complies with Part M of the Building Regulations
- UKCA & CE compliant
- Suitable for front lever
- Bottom inlet
- Universal - either left or right handed
- Lockable lid option

Finish options

WH

White
RAL 9016

Product description

Minimal close coupled cistern, white

Minimal close coupled cistern with lockable lid, white

Product code

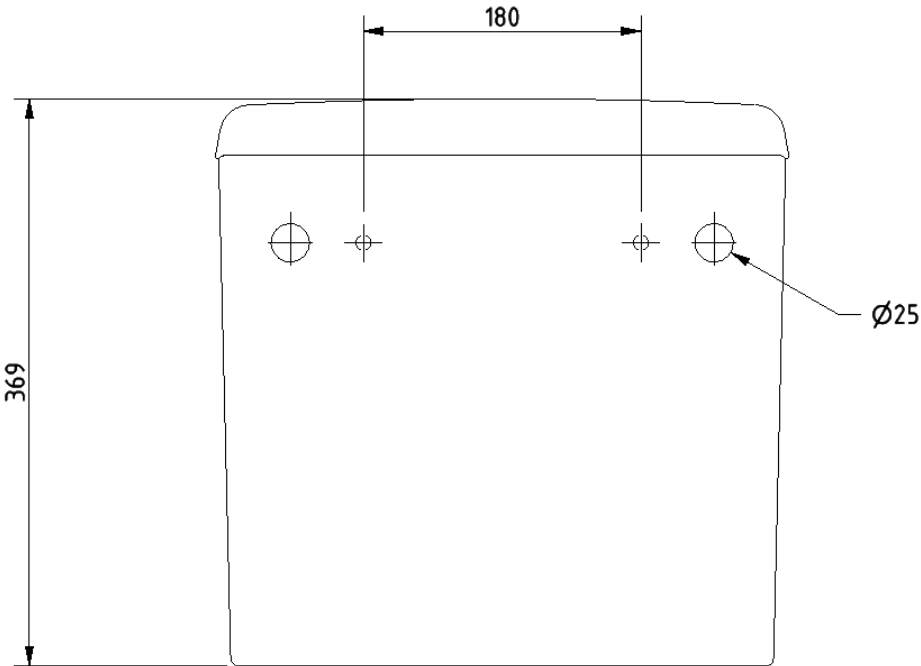
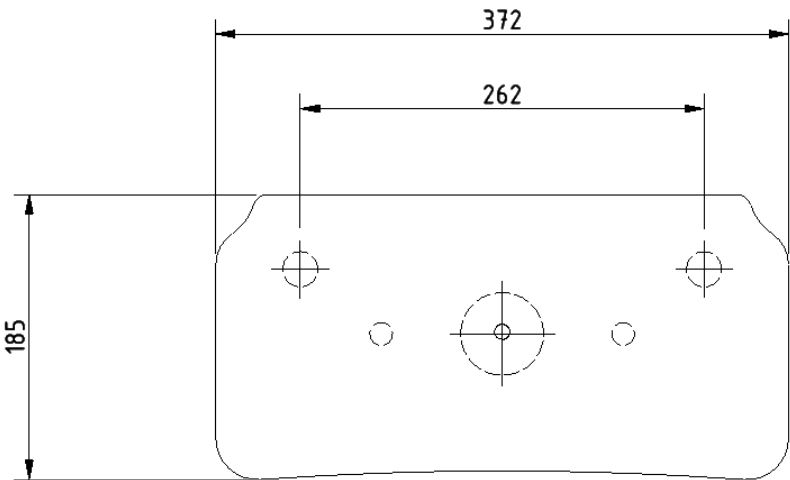
BWCISTCC-SAN

BWCISTCC/LC-SAN

Disclaimer

NYMAS Group makes every effort to ensure that the information provided on this data sheet is correct. However, we cannot guarantee this, and accept no liability for any information or advice given on this data sheet.

Dimensions (mm)



Cistern fitting pack for close coupled rimless pan



Product details

Warranty:	2 years
Max rated load:	n/a
Doc M compliant:	Yes
Suitable for wet areas:	Yes

Features

- Inlet valve and syphon Reg 4 Certified (WRAS, NSF, Kiwa, etc.)
- Can provide both full and half flush
- Doc M spatula lever to provide easy operation for users with limited dexterity
- 6 litre flush

Product description

Cistern fitting pack for close coupled rimless pan, includes lever and basin waste

Product code

SANCCPK-4

Pack contents

- 1 x Inlet valve
- 1 x Syphon
- 1 x Doc M spatula lever
- 2 x Cistern blanking plugs
- 1 x Close coupled fixing bolts
- 1 x Tap hole stopper
- 1 x Basin waste

Disclaimer

NYMAS Group makes every effort to ensure that the information provided on this data sheet is correct. However, we cannot guarantee this, and accept no liability for any information or advice given on this data sheet.

Ring only toilet seat



Product details

Warranty:	2 years
Maximum load:	n/a
Doc M compliant:	Yes
Suitable for wet areas:	Yes

Features

- Complies with Part M of the Building Regulations
- Anti-bacterial, strong and durable seat
- Ergonomic and comfortable shape
- Dedicated moulded buffers for best stability
- Strong stainless steel hinge
- Fits pan NY01-PANCC02-WH (Only compatible with this pan)

Finish options



Dark blue
RAL 5011



Dark grey
RAL 7016



Grey
RAL 7005



White
RAL 9016

Product description

- Toilet seat, ring only, stainless steel hinge, dark blue (RAL 5011)
- Toilet seat, ring only, stainless steel hinge, dark grey (RAL 7016)
- Toilet seat, ring only, stainless steel hinge, grey (RAL 7005)
- Toilet seat, ring only, stainless steel hinge, white (RAL 9016)

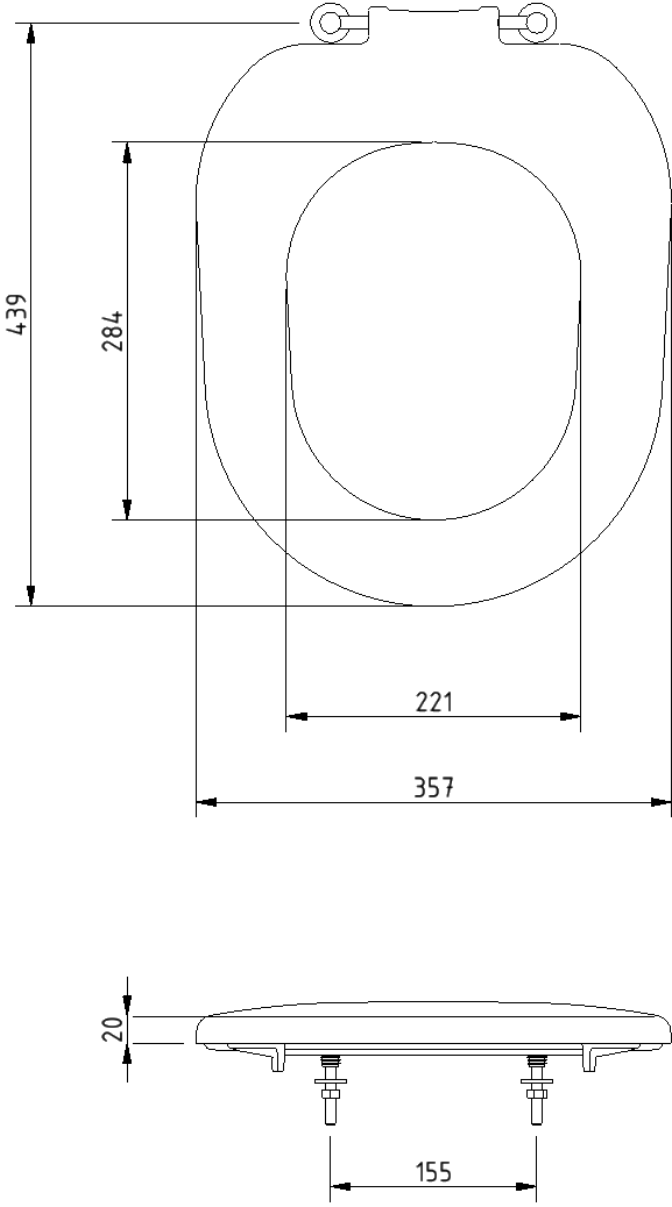
Product code

- NY01-SEAT03-DB
- NY01-SEAT03-DG
- NY01-SEAT03-GY
- NY01-SEAT03-WH

Disclaimer

NYMAS Group makes every effort to ensure that the information provided on this data sheet is correct. However, we cannot guarantee this, and accept no liability for any information or advice given on this data sheet.

Dimensions (mm)



Compact Doc M basin



Product details

Warranty: Lifetime

Max rated load: n/a

Doc M compliant: Yes

Suitable for wet areas: Yes

Features

- Two tap holes for left or right handed configuration
- Compact design to maximise space for a wheelchair user
- Complies with Part M of the Building Regulations
- No overflow

Does not come with wall fixings (P-000248-X00X)

Finish options

WH

White
RAL 9016

Product description

Compact Doc M basin, two tap holes, no overflow, white

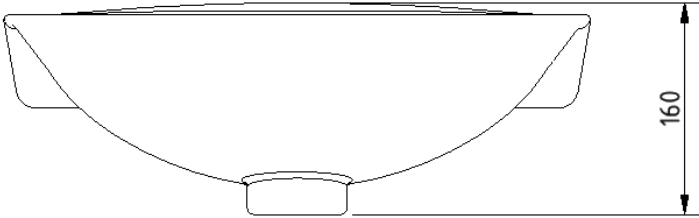
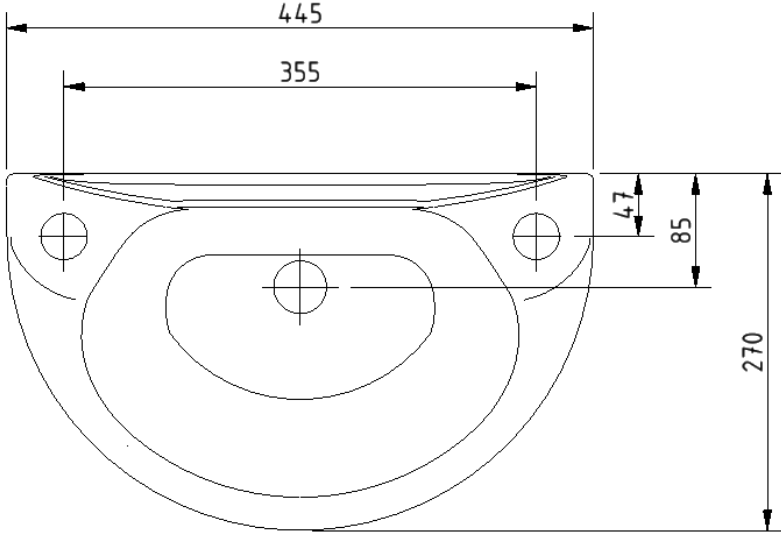
Product code

NY01-SW-00120-WH

Disclaimer

NYMAS Group makes every effort to ensure that the information provided on this data sheet is correct. However, we cannot guarantee this, and accept no liability for any information or advice given on this data sheet.

Dimensions (mm)



Polished chrome sequential basin mixer tap



Product details

Warranty:	2 years
Max rated load:	n/a
Doc M compliant:	Yes
Suitable for wet areas:	Yes
Flexi tap tail connection (to tap body):	M10 Thread
Flexi tap tail (onward connection):	3/4 Inch Diameter Thread

Features

- Reg 4 Certified (WRAS, NSF, Kiwa, etc.)
- Easy operation for users with limited dexterity
- Cold start

Finish options



Polished chrome

Product description

Sequential basin mixer tap, polished chrome

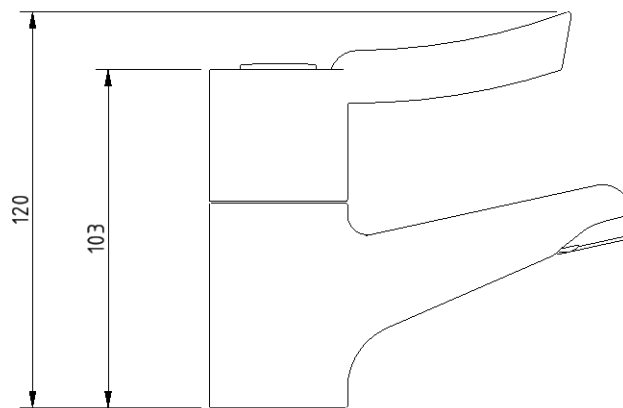
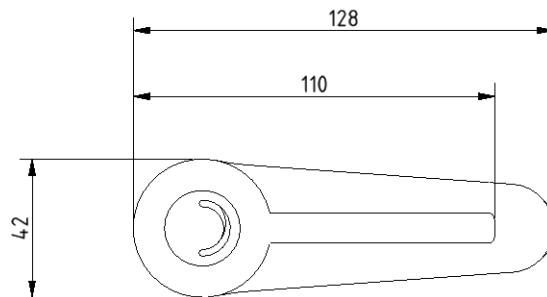
Product code

BPLMON

Disclaimer

NYMAS Group makes every effort to ensure that the information provided on this data sheet is correct. However, we cannot guarantee this, and accept no liability for any information or advice given on this data sheet.

Dimensions (mm)



Flow Rate Curve



Procedure:

Flow Determination

Pressure:

3,0 Bar

Cold:

18,9 l/min

Hot:

19 l/min

To 38 deg C:

26 l/min

Round flange steel grab rail with exposed fixings, 35mm diameter tube



Product details

Warranty:	2 years
Max rated load:	200 kg
Doc M compliant:	Yes
Suitable for wet areas:	No

Features

- Complies with Part M of the Building Regulations
- Robust steel construction
- Durable epoxy polyester coated finish

Finish options



White
RAL 9016



Dark blue
RAL 5011



Dark grey
RAL 7016



Grey
RAL 7005

Product description

Round flange grab rail, steel, exposed fixings, 35mm diameter, 305mm
 Round flange grab rail, steel, exposed fixings, 35mm diameter, 455mm
 Round flange grab rail, steel, exposed fixings, 35mm diameter, 610mm
 Round flange grab rail, steel, exposed fixings, 35mm diameter, 900mm

Product code

GR-12/35/**
 GR-18/35/**
 GR-24/35/**
 GR-36/35/**

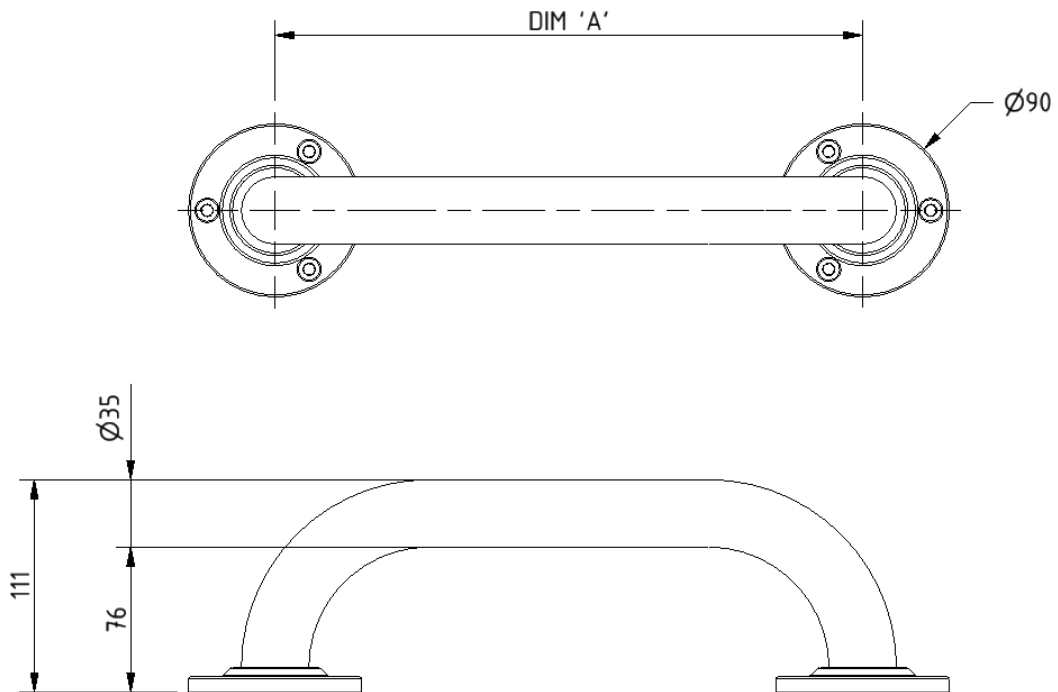
Replace ** with finish option code above e.g., GR-18/35/DB

Note: GR-12/35 is only available in WH finish

Disclaimer

NYMAS Group makes every effort to ensure that the information provided on this data sheet is correct. However, we cannot guarantee this, and accept no liability for any information or advice given on this data sheet.

Dimensions (mm)



PRODUCT CODE	GR-12/35/**	GR-18/35/**	GR-24/35/**	GR-36/35/**
DIM 'A'	305	455	610	900

Lift and lock steel hinged support rail with toilet roll holder



Product details

Warranty:	2 years
Max rated load:	115 kg
Doc M compliant:	Yes (800mm variant only)
Suitable for wet areas:	No

Features

- Lift and lock folding mechanism
- Integral toilet roll holder
- Robust steel construction
- Durable epoxy polyester coating
- Complies with Part M of the Building Regulations (800mm variant only)

Finish options

WH

White
RAL 9016

DB

Dark blue
RAL 5011

DG

Dark grey
RAL 7016

GY

Grey
RAL 7005

Product description

Trombone lift and lock hinged support rail, steel, toilet roll holder, 550mm
Trombone lift and lock hinged support rail, steel, toilet roll holder, 800mm

Product code

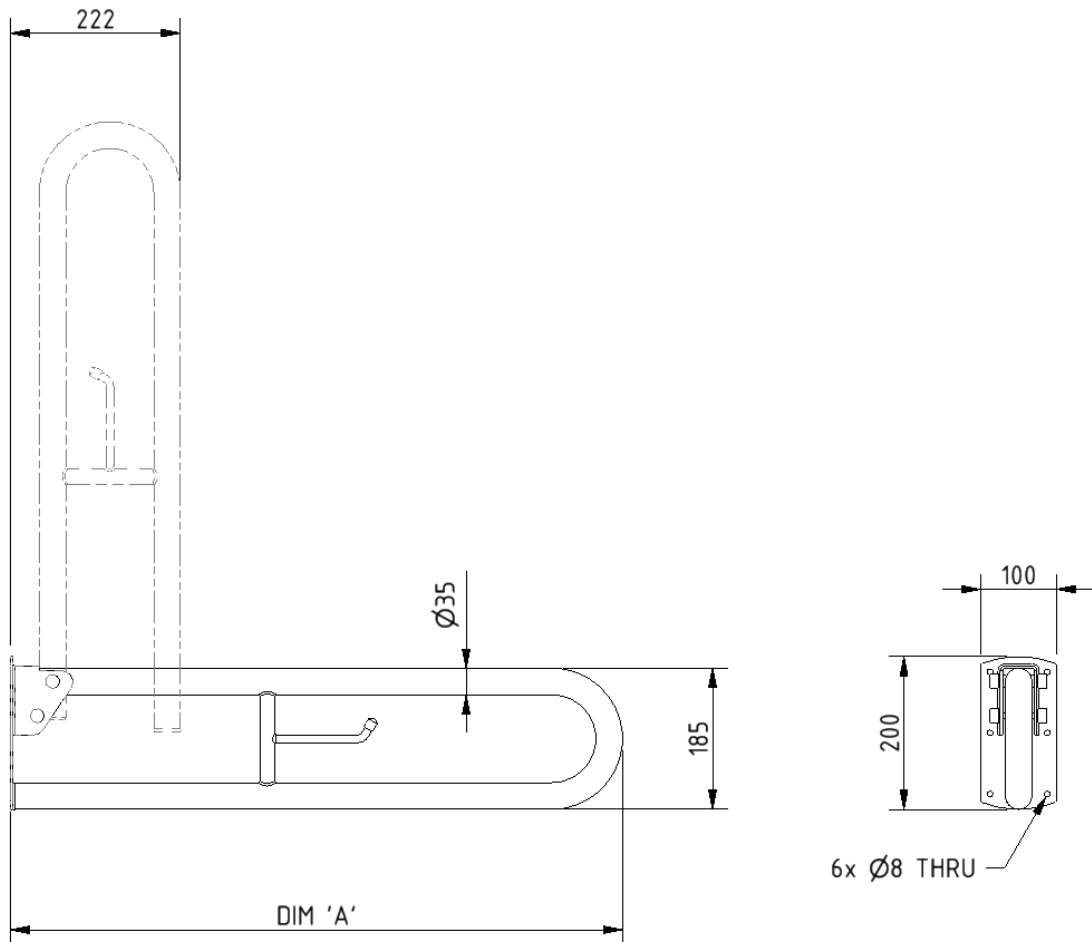
112055/**
DDGR-B/**

Replace ** with finish option code above e.g., DDGR-B/DB

Disclaimer

NYMAS Group makes every effort to ensure that the information provided on this data sheet is correct. However, we cannot guarantee this, and accept no liability for any information or advice given on this data sheet.

Dimensions (mm)



PRODUCT CODE	112055/**	DDGR-B/**
DIM 'A'	550	800

TMV3 inline thermostatic mixing valve



Product details

Warranty:	2 years
Max rated load:	n/a
Doc M compliant:	Yes
Suitable for wet areas:	Yes

Features

- TMV3 approved & Reg 4 Certified (WRAS, NSF, Kiwa, etc.)
- Complies with Part M of the Building Regulations
- Building Regulations Part G compliant
- Highly resistant to scaling
- Anti-tamper proof head

Finish options



CP

Polished
chrome

Product description

TMV3 inline thermostatic mixing valve - 15mm

Product code

BPLTMV

Disclaimer

NYMAS Group makes every effort to ensure that the information provided on this data sheet is correct. However, we cannot guarantee this, and accept no liability for any information or advice given on this data sheet.

Dimensions (mm)

