

## The Cleveland, close coupled Doc M ware set, pan & cistern assembly, ring only seat



### Product details

**Warranty:** See individual products

**Doc M compliant:** Yes

**Suitable for wet areas:** Yes

### Features

- Complies with Part M of the Building Regulations
- Close coupled pan & cistern assembly
- Hygienic rimless pan and robust dedicated seat
- Inlet valve and syphon Reg 4 Certified (WRAS, NSF, Kiwa, etc.)

### Finish options

**WH**

White  
RAL 9016

**DB**

Dark blue  
RAL 5011

**DG**

Dark grey  
RAL 7016

**GY**

Grey  
RAL 7005

### Product description

Close coupled Doc M ware set, pan & cistern assembly, ring only seat

Close coupled Doc M ware set, pan & lockable cistern assembly, ring only seat

### Product code

F20-WSXX-XXX-\*\*

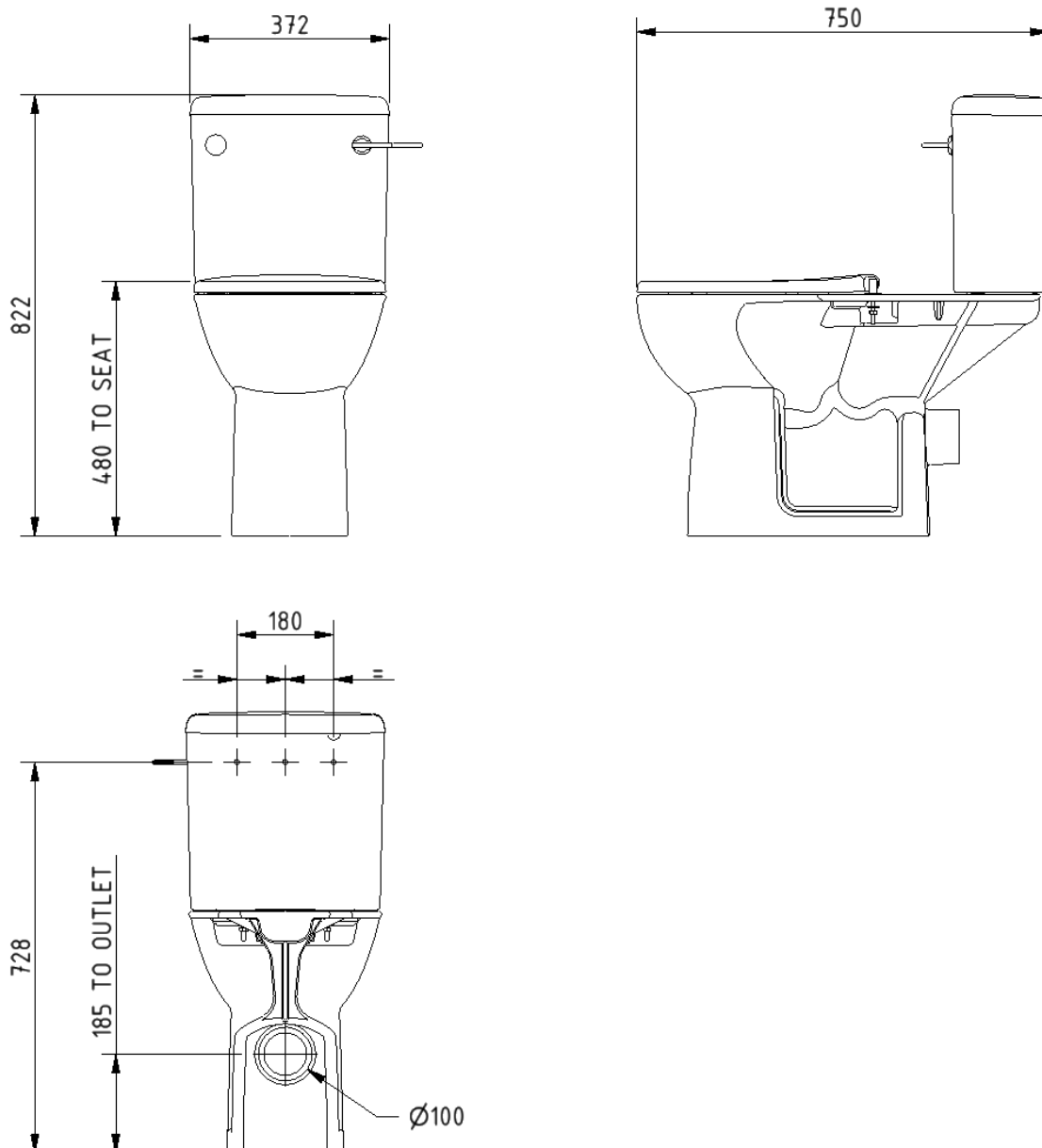
F20-WSLX-XXX-\*\*

Replace \*\* with finish option code above e.g., F20-WSXX-XXX-WH

## Pack contents

- 1 x Close coupled rimless Doc M pan
- 1 x Close coupled cistern for rimless pan (optional lockable lid – F20-WSLX-XXX-\*\*)
- 1 x Close coupled cistern fitting pack with Doc M spatula lever
- 1 x Ring only toilet seat

## Dimensions (mm)



## Disclaimer

NYMAS Group makes every effort to ensure that the information provided on this data sheet is correct. However, we cannot guarantee this, and accept no liability for any information or advice given on this data sheet.

## Close coupled rimless Doc M pan



### Product details

<b>Warranty:</b>	Lifetime
<b>Maximum load:</b>	400 kg
<b>Doc M compliant:</b>	Yes
<b>Suitable for wet areas:</b>	Yes

### Features

- Extended projection to comply with Part M of the Building Regulations
- Rimless design for ease of cleaning
- Comfort height to allow easier side transfer from wheelchair
- UKCA & CE compliant
- Ceramic body

### Finish options

**WH**

White  
RAL 9016

### Product description

Close coupled rimless Doc M pan

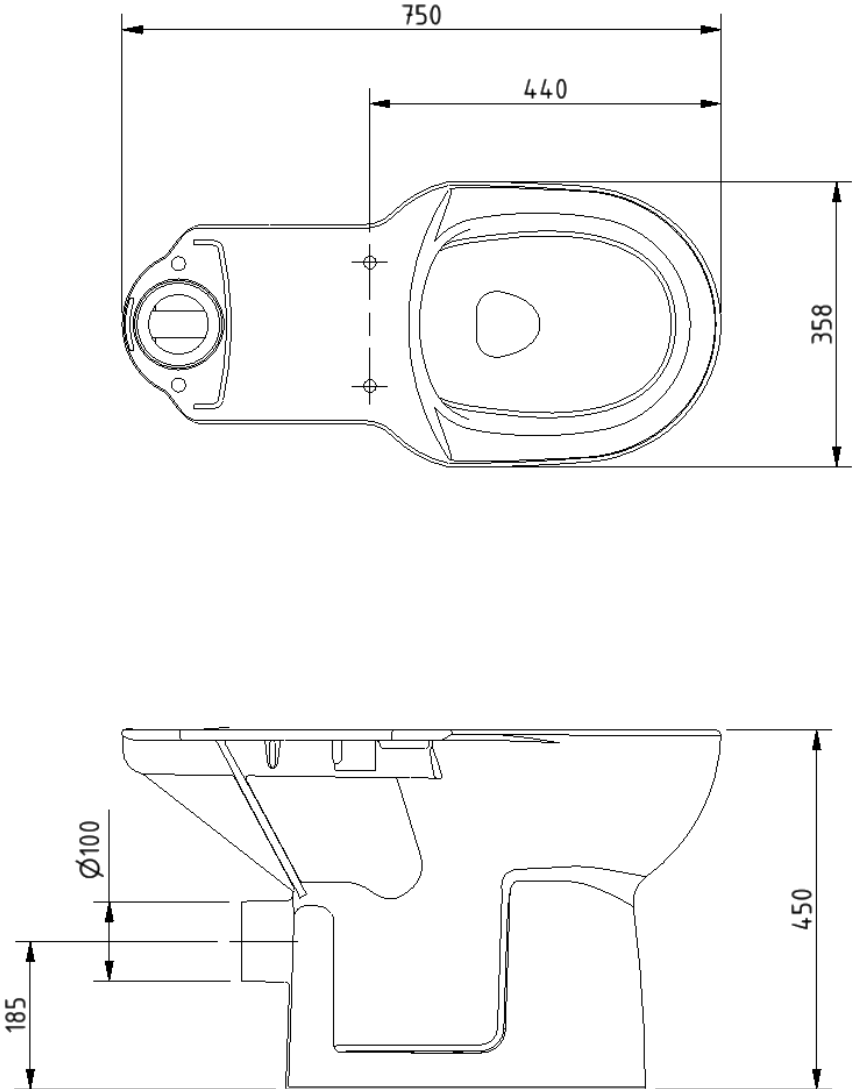
### Product code

NY01-PANCC02-WH

### Disclaimer

NYMAS Group makes every effort to ensure that the information provided on this data sheet is correct. However, we cannot guarantee this, and accept no liability for any information or advice given on this data sheet.

Dimensions (mm)



## Close coupled minimal cistern tank



### Product details

**Warranty:** Lifetime

**Max rated load:** n/a

**Doc M compliant:** Yes

**Suitable for wet areas:** Yes

### Features

- Modern minimal design
- Complies with Part M of the Building Regulations
- UKCA & CE compliant
- Suitable for front lever
- Bottom inlet
- Universal - either left or right handed
- Lockable lid option

### Finish options

**WH**

White  
RAL 9016

### Product description

Minimal close coupled cistern, white

Minimal close coupled cistern with lockable lid, white

### Product code

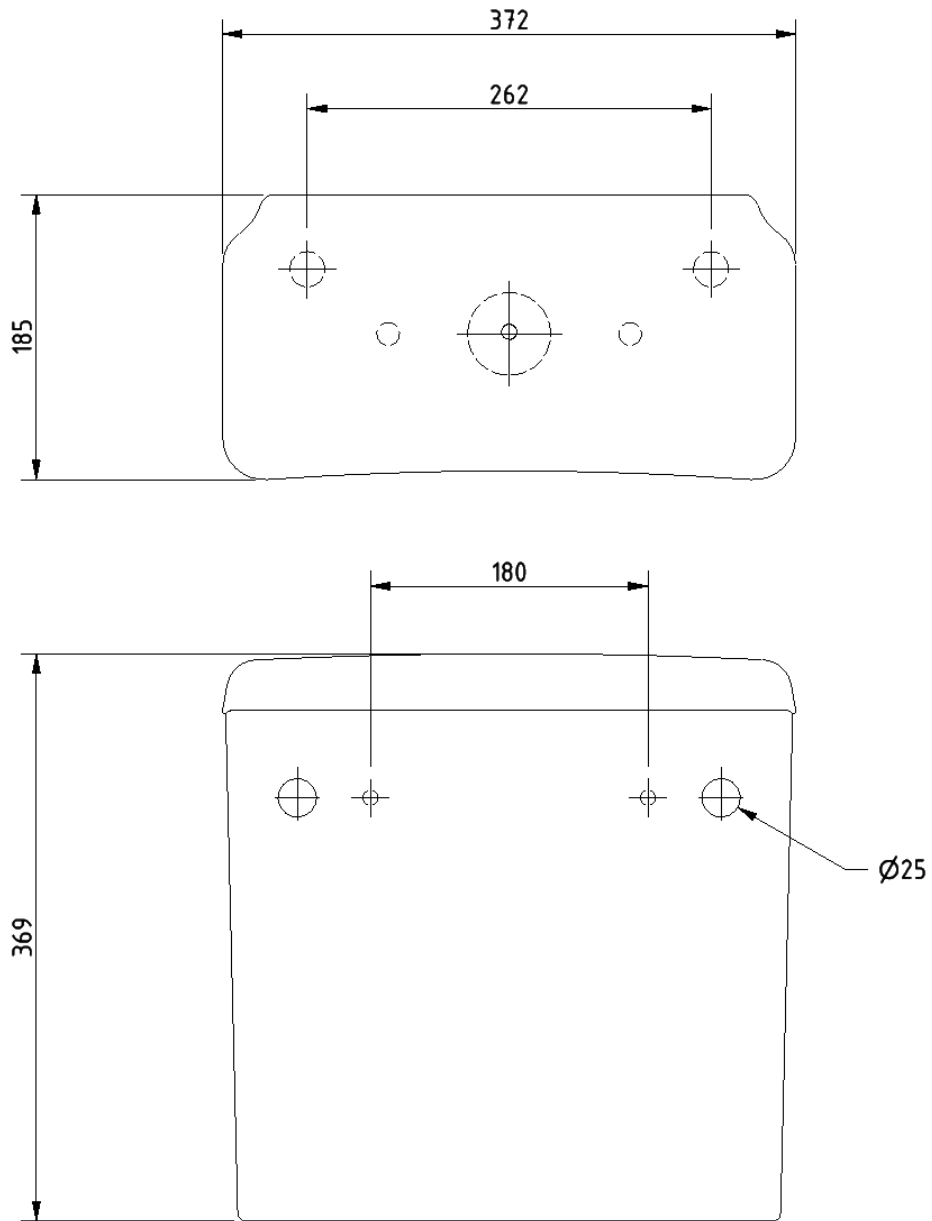
BWCISTCC-SAN

BWCISTCC/LC-SAN

### Disclaimer

NYMAS Group makes every effort to ensure that the information provided on this data sheet is correct. However, we cannot guarantee this, and accept no liability for any information or advice given on this data sheet.

Dimensions (mm)



## Cistern fitting pack for close coupled rimless pan



### Product details

**Warranty:** 2 years

**Max rated load:** n/a

**Doc M compliant:** Yes

**Suitable for wet areas:** Yes

### Features

- Inlet valve and syphon Reg 4 Certified (WRAS, NSF, Kiwa, etc.)
- Can provide both full and half flush
- Doc M spatula lever to provide easy operation for users with limited dexterity
- 6 litre flush

### Product description

Cistern fitting pack for close coupled rimless pan, includes lever and basin waste

### Product code

SANCCPK-4

### Pack contents

- 1 x Inlet valve
- 1 x Syphon
- 1 x Doc M spatula lever
- 2 x Cistern blanking plugs
- 1 x Close coupled fixing bolts
- 1 x Tap hole stopper
- 1 x Basin waste

### Disclaimer

NYMAS Group makes every effort to ensure that the information provided on this data sheet is correct. However, we cannot guarantee this, and accept no liability for any information or advice given on this data sheet.

## Ring only toilet seat



### Product details

<b>Warranty:</b>	2 years
<b>Maximum load:</b>	n/a
<b>Doc M compliant:</b>	Yes
<b>Suitable for wet areas:</b>	Yes

### Features

- Complies with Part M of the Building Regulations
- Anti-bacterial, strong and durable seat
- Ergonomic and comfortable shape
- Dedicated moulded buffers for best stability
- Strong stainless steel hinge
- Fits pan NY01-PANCC02-WH (Only compatible with this pan)

### Finish options



Dark blue  
RAL 5011



Dark grey  
RAL 7016



Grey  
RAL 7005



White  
RAL 9016

### Product description

Toilet seat, ring only, stainless steel hinge, dark blue (RAL 5011)
Toilet seat, ring only, stainless steel hinge, dark grey (RAL 7016)
Toilet seat, ring only, stainless steel hinge, grey (RAL 7005)
Toilet seat, ring only, stainless steel hinge, white (RAL 9016)

### Product code

NY01-SEAT03-DB
NY01-SEAT03-DG
NY01-SEAT03-GY
NY01-SEAT03-WH

### Disclaimer

NYMAS Group makes every effort to ensure that the information provided on this data sheet is correct. However, we cannot guarantee this, and accept no liability for any information or advice given on this data sheet.



**Dimensions (mm)**

