

Rimless luxury close coupled Doc M toilet pack, stainless steel, concealed fixings



Product details

Warranty:	See individual products
Maximum load:	See individual products
Doc M compliant:	Yes
Suitable for wet areas:	Yes

Features

- Complies with Part M of the Building Regulations
- Hygienic rimless pan with robust dedicated seat
- Inlet valve and syphon Reg 4 Certified (WRAS, NSF, Kiwa, etc.)
- Concealed fixing stainless steel grab rails
- Universal - suitable for left or right-handed transfer
- Simple one box solution
- Optional TMV3 Valve

Finish options



Matt black
RAL 9005



Satin
Stainless Steel



Polished
Stainless Steel

Product description

Rimless luxury close coupled Doc M toilet pack, stainless steel, concealed fixings

Rimless luxury close coupled Doc M toilet pack, stainless steel, concealed fixings, TMV3 valve

Product code

F22-CCXX-SSC-**

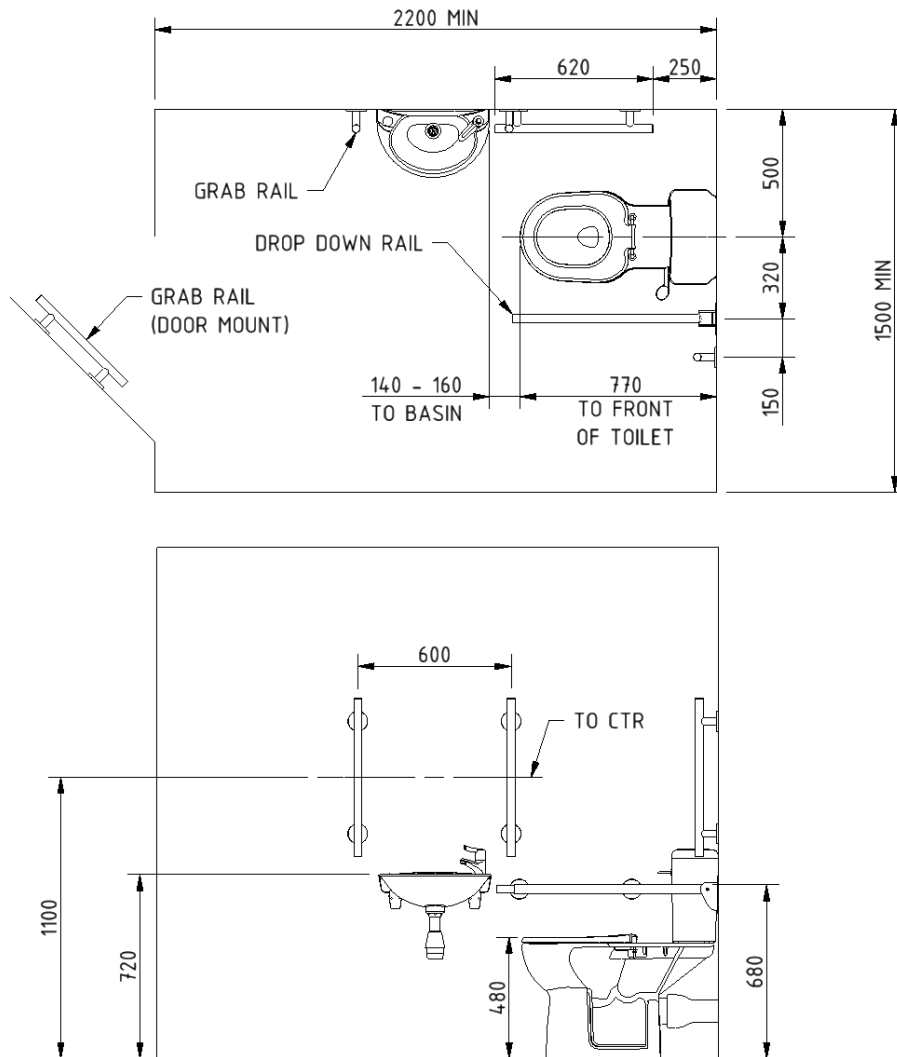
F22-CCTX-SSC-**

Replace ** with finish option code above e.g., F22-CCXX-SSC-MB

Pack contents

- 4 x 600mm stainless steel luxury grab rails with concealed fixings
- 1 x 450mm stainless steel luxury grab rail with concealed fixings
- 1 x 800mm stainless steel contemporary hinged support rail
- 1 x Close coupled rimless Doc M pan
- 1 x Close coupled cistern
- 1 x Close coupled cistern fittings and Doc M spatula lever
- 1 x Ring only toilet seat
- 1 x Two tap hole basin
- 1 x Sequential basin mixer tap
- 1 x Tap hole stopper
- 1 x Basin waste
- 1 x TMV3 Valve (F22-CCTX-SSC-** only)

Dimensions (mm)



Disclaimer

NYMAS Group makes every effort to ensure that the information provided on this data sheet is correct. However, we cannot guarantee this, and accept no liability for any information or advice given on this data sheet.

Close coupled rimless Doc M pan



Product details

Warranty:	Lifetime
Maximum load:	400 kg
Doc M compliant:	Yes
Suitable for wet areas:	Yes

Features

- Extended projection to comply with Part M of the Building Regulations
- Rimless design for ease of cleaning
- Comfort height to allow easier side transfer from wheelchair
- UKCA & CE compliant
- Ceramic body

Finish options

WH

White
RAL 9016

Product description

Close coupled rimless Doc M pan

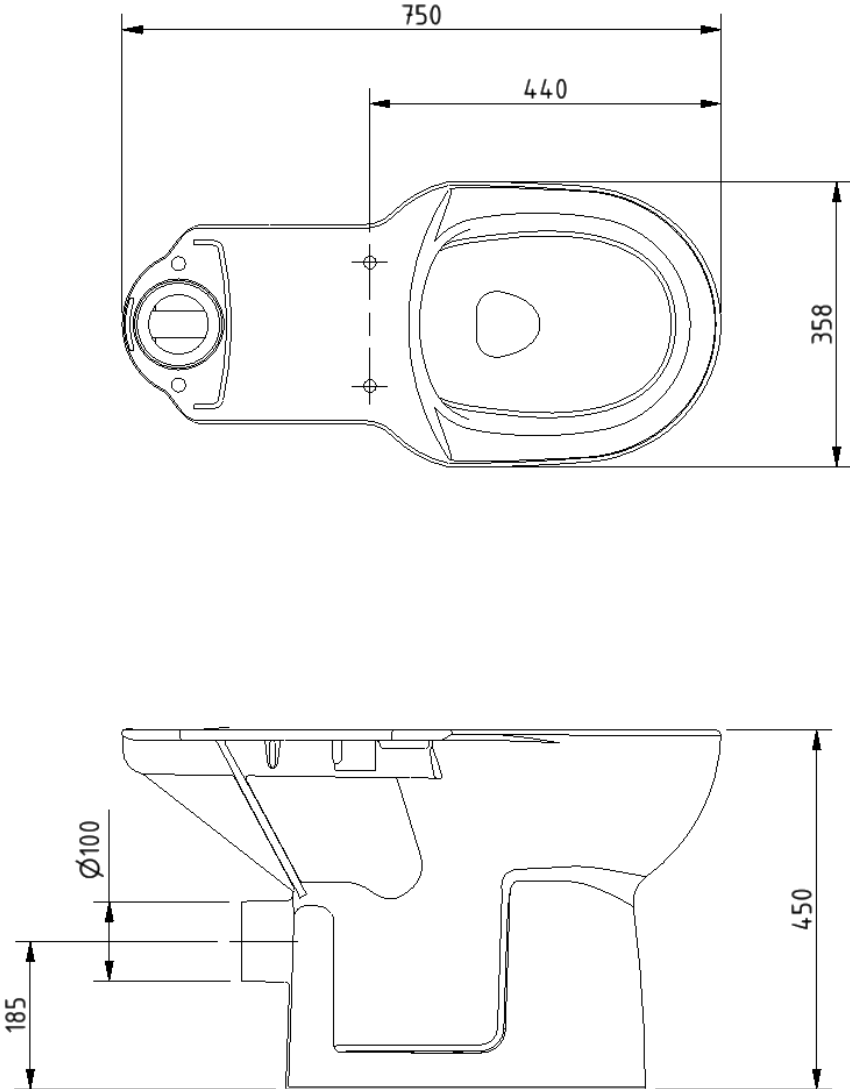
Product code

NY01-PANCC02-WH

Disclaimer

NYMAS Group makes every effort to ensure that the information provided on this data sheet is correct. However, we cannot guarantee this, and accept no liability for any information or advice given on this data sheet.

Dimensions (mm)



Close coupled minimal cistern tank



Product details

Warranty:	Lifetime
Max rated load:	n/a
Doc M compliant:	Yes
Suitable for wet areas:	Yes

Features

- Modern minimal design
- Complies with Part M of the Building Regulations
- UKCA & CE compliant
- Suitable for front lever
- Bottom inlet
- Universal - either left or right handed
- Lockable lid option

Finish options

WH

White
RAL 9016

Product description

Minimal close coupled cistern, white

Minimal close coupled cistern with lockable lid, white

Product code

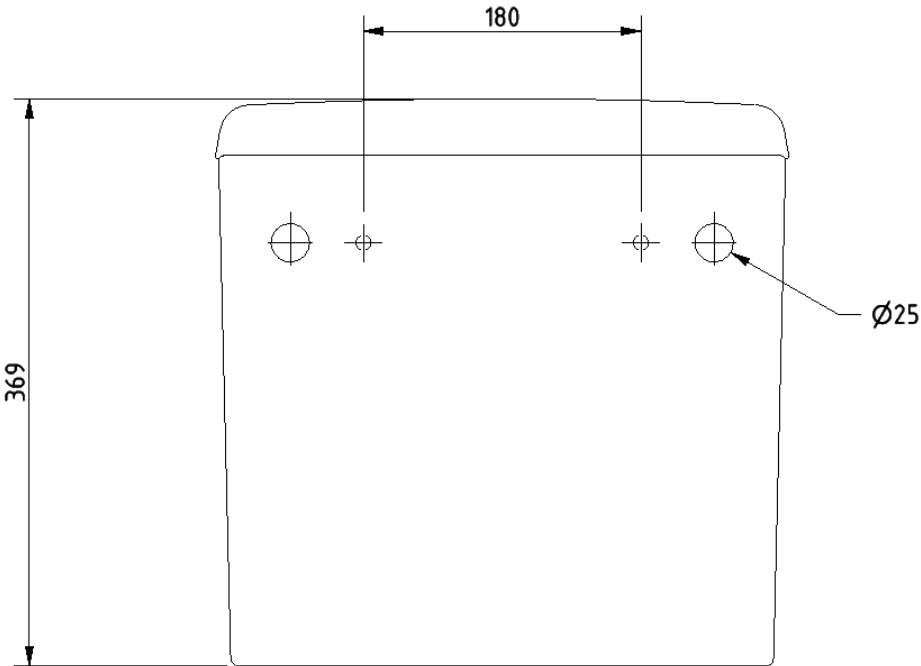
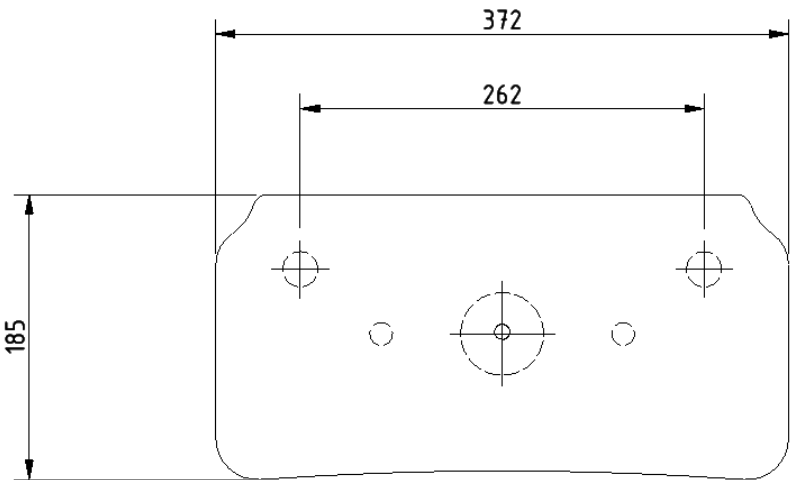
BWCISTCC-SAN

BWCISTCC/LC-SAN

Disclaimer

NYMAS Group makes every effort to ensure that the information provided on this data sheet is correct. However, we cannot guarantee this, and accept no liability for any information or advice given on this data sheet.

Dimensions (mm)



Cistern fitting pack for close coupled rimless pan



Product details

Warranty: 2 years

Max rated load: n/a

Doc M compliant: Yes

Suitable for wet areas: Yes

Features

- Inlet valve and syphon Reg 4 Certified (WRAS, NSF, Kiwa, etc.)
- Can provide both full and half flush
- Doc M spatula lever to provide easy operation for users with limited dexterity
- 6 litre flush

Product description

Cistern fitting pack for close coupled rimless pan, includes lever and basin waste

Product code

SANCCPK-4

Pack contents

- 1 x Inlet valve
- 1 x Syphon
- 1 x Doc M spatula lever
- 2 x Cistern blanking plugs
- 1 x Close coupled fixing bolts
- 1 x Tap hole stopper
- 1 x Basin waste

Disclaimer

NYMAS Group makes every effort to ensure that the information provided on this data sheet is correct. However, we cannot guarantee this, and accept no liability for any information or advice given on this data sheet.

Ring only toilet seat



Product details

Warranty:	2 years
Maximum load:	n/a
Doc M compliant:	Yes
Suitable for wet areas:	Yes

Features

- Complies with Part M of the Building Regulations
- Anti-bacterial, strong and durable seat
- Ergonomic and comfortable shape
- Dedicated moulded buffers for best stability
- Strong stainless steel hinge
- Fits pan NY01-PANCC02-WH (Only compatible with this pan)

Finish options



DB
Dark blue
RAL 5011



DG
Dark grey
RAL 7016



GY
Grey
RAL 7005



WH
White
RAL 9016

Product description

Toilet seat, ring only, stainless steel hinge, dark blue (RAL 5011)
 Toilet seat, ring only, stainless steel hinge, dark grey (RAL 7016)
 Toilet seat, ring only, stainless steel hinge, grey (RAL 7005)
 Toilet seat, ring only, stainless steel hinge, white (RAL 9016)

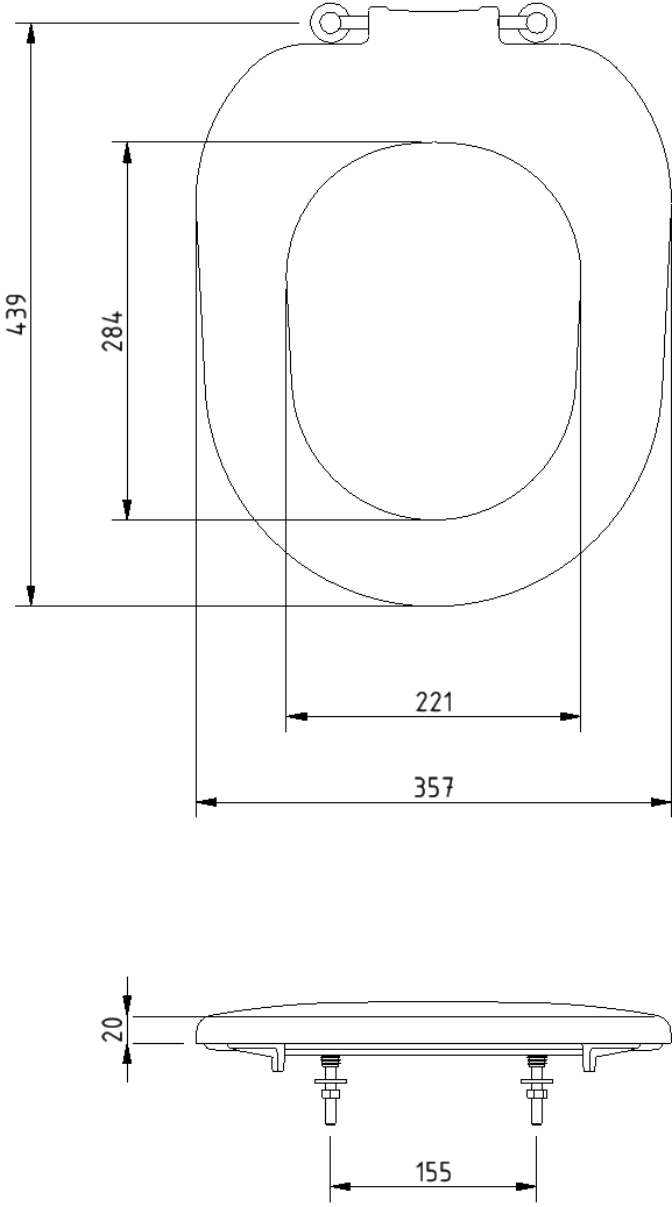
Product code

NY01-SEAT03-DB
 NY01-SEAT03-DG
 NY01-SEAT03-GY
 NY01-SEAT03-WH

Disclaimer

NYMAS Group makes every effort to ensure that the information provided on this data sheet is correct. However, we cannot guarantee this, and accept no liability for any information or advice given on this data sheet.

Dimensions (mm)



Compact Doc M basin



Product details

Warranty:	Lifetime
Max rated load:	n/a
Doc M compliant:	Yes
Suitable for wet areas:	Yes

Features

- Two tap holes for left or right handed configuration
- Compact design to maximise space for a wheelchair user
- Complies with Part M of the Building Regulations
- No overflow

Does not come with wall fixings (P-000248-X00X)

Finish options

WH

White
RAL 9016

Product description

Compact Doc M basin, two tap holes, no overflow, white

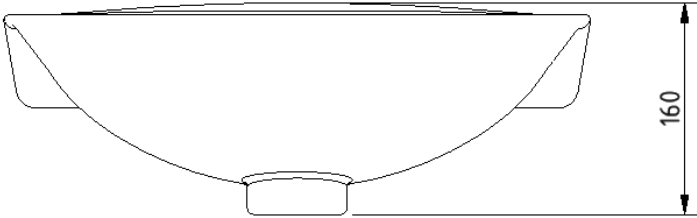
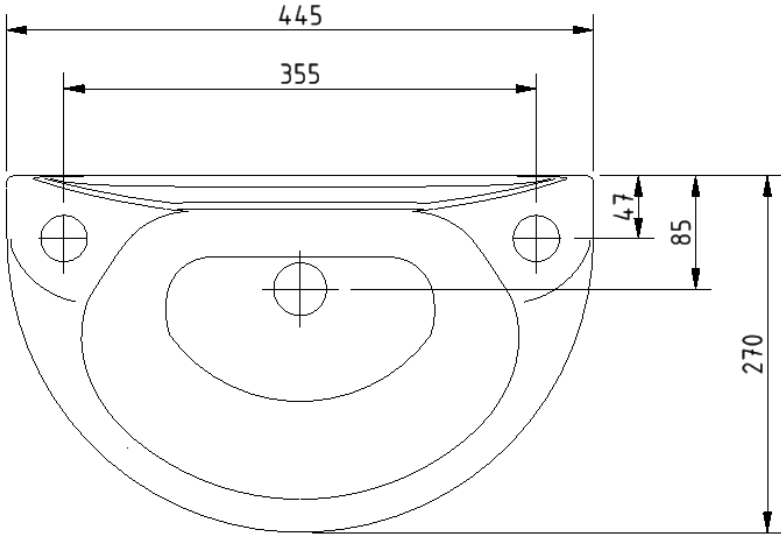
Product code

NY01-SW-00120-WH

Disclaimer

NYMAS Group makes every effort to ensure that the information provided on this data sheet is correct. However, we cannot guarantee this, and accept no liability for any information or advice given on this data sheet.

Dimensions (mm)



Polished chrome sequential basin mixer tap



Product details

Warranty:	2 years
Max rated load:	n/a
Doc M compliant:	Yes
Suitable for wet areas:	Yes
Flexi tap tail connection (to tap body):	M10 Thread
Flexi tap tail (onward connection):	3/4 Inch Diameter Thread

Features

- Reg 4 Certified (WRAS, NSF, Kiwa, etc.)
- Easy operation for users with limited dexterity
- Cold start

Finish options



Polished chrome

Product description

Sequential basin mixer tap, polished chrome

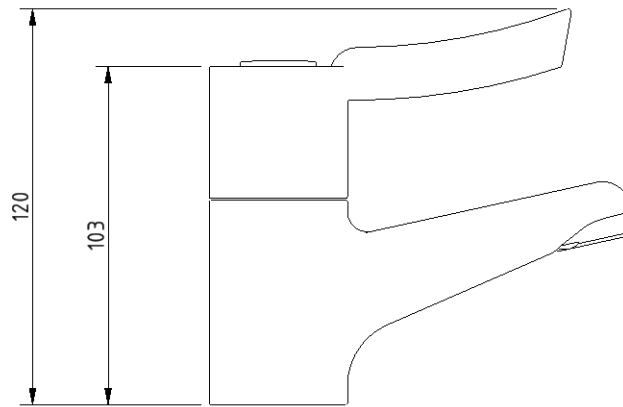
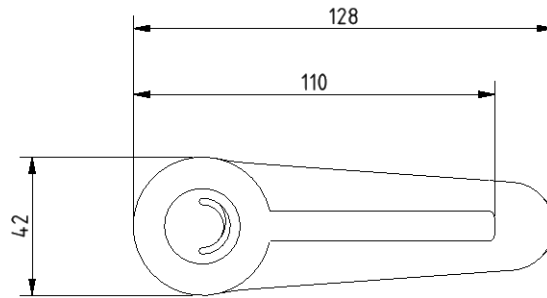
Product code

BPLMON

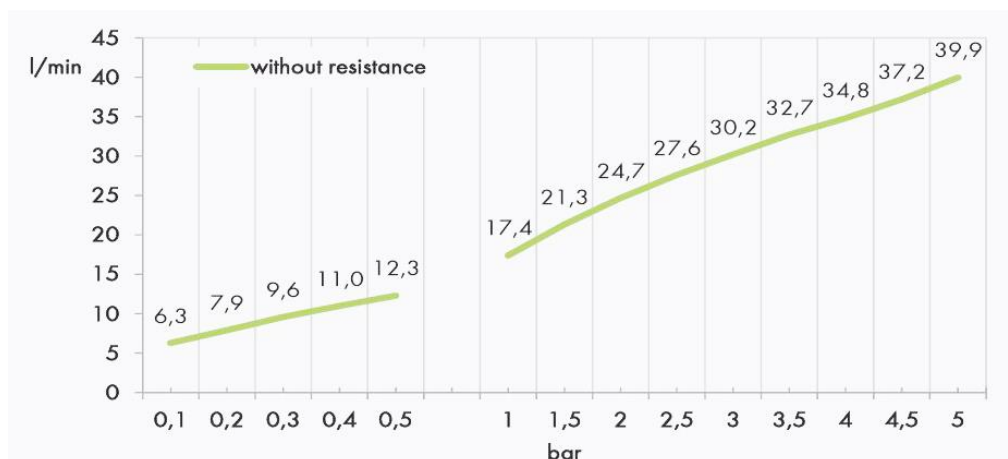
Disclaimer

NYMAS Group makes every effort to ensure that the information provided on this data sheet is correct. However, we cannot guarantee this, and accept no liability for any information or advice given on this data sheet.

Dimensions (mm)



Flow Rate Curve



Procedure:

Flow Determination

Pressure:

3,0 Bar

Cold:

18,9 l/min

Hot:

19 l/min

To 38 deg C:

26 l/min

Luxury straight stainless steel grab rail with concealed fixings



Product details

Warranty:	5 years
Max rated load:	200 kg
Doc M compliant:	Yes
Suitable for wet areas:	Yes

Features

- High quality stainless steel construction
- Concealed fixings
- Stylish T-bar design
- Complies with Part M of the Building Regulations

Finish options



Satin
Stainless Steel



Polished
Stainless Steel



Matt black
RAL 9005

Product description

Luxury grab rail, straight, stainless steel, concealed fixings, 355mm
Luxury grab rail, straight, stainless steel, concealed fixings, 480mm
Luxury grab rail, straight, stainless steel, concealed fixings, 620mm
Luxury grab rail, straight, stainless steel, concealed fixings, 900mm

Product code

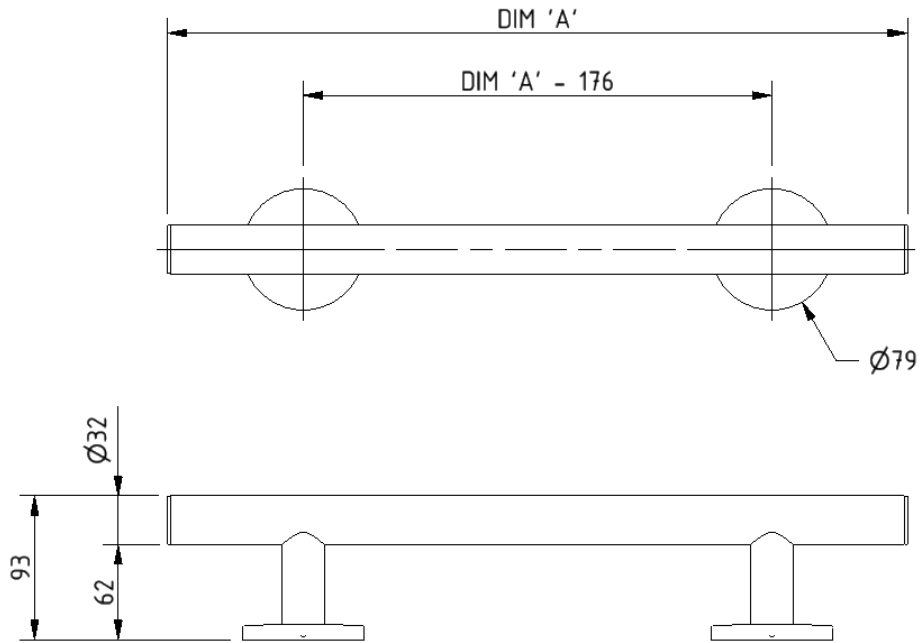
311435/**
311448/**
311462/**
311490/**

Replace ** with finish option code above e.g., 311435/SP

Disclaimer

NYMAS Group makes every effort to ensure that the information provided on this data sheet is correct. However, we cannot guarantee this, and accept no liability for any information or advice given on this data sheet.

Dimensions (mm)



PRODUCT CODE	311435/**	311448/**	311462/**	311490/**
DIM 'A'	355	480	620	900

Contemporary single arm stainless steel friction hinged rail with exposed fixings



Product details

Warranty:	5 years
Max rated load:	90 kg
Doc M compliant:	Yes
Suitable for wet areas:	Yes

Features

- Contemporary single arm design
- Premium friction folding mechanism
- High quality stainless steel construction
- Complies with Part M of the Building Regulations

Finish options



SS
Satin
Stainless Steel



SP
Polished
Stainless Steel



MB
Matt black
RAL 9005

Product description

Contemporary single arm friction rail, stainless steel, exposed fixings

Product code

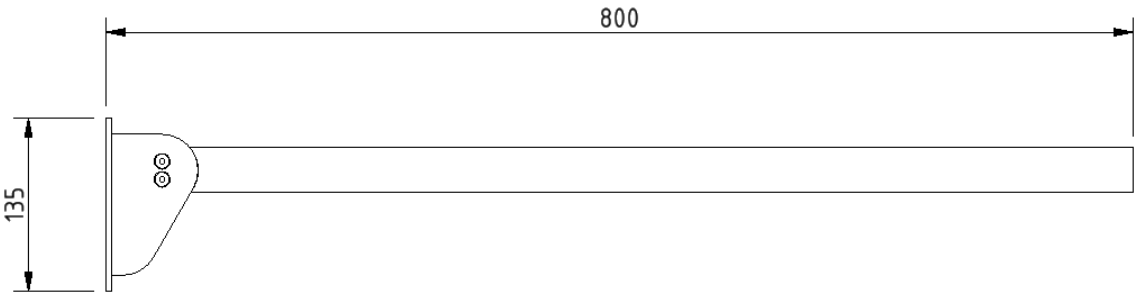
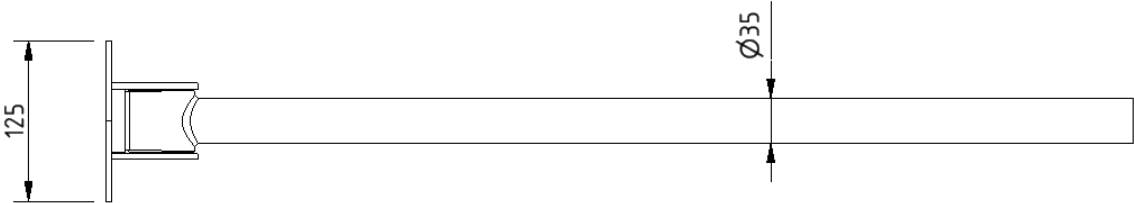
310480/**

Replace ** with finish option code above e.g., 310480/SP

Disclaimer

NYMAS Group makes every effort to ensure that the information provided on this data sheet is correct. However, we cannot guarantee this, and accept no liability for any information or advice given on this data sheet.

Dimensions (mm)



TMV3 inline thermostatic mixing valve



Product details

Warranty:	2 years
Max rated load:	n/a
Doc M compliant:	Yes
Suitable for wet areas:	Yes

Features

- TMV3 approved & Reg 4 Certified (WRAS, NSF, Kiwa, etc.)
- Complies with Part M of the Building Regulations
- Building Regulations Part G compliant
- Highly resistant to scaling
- Anti-tamper proof head

Finish options



Polished
chrome

Product description

TMV3 inline thermostatic mixing valve - 15mm

Product code

BPLTMV

Disclaimer

NYMAS Group makes every effort to ensure that the information provided on this data sheet is correct. However, we cannot guarantee this, and accept no liability for any information or advice given on this data sheet.

Dimensions (mm)

