

Infrared premium rimless luxury back to wall Doc M toilet pack



Product details

Warranty:	See individual products
Max rated load:	See individual products
Doc M compliant:	Yes
Suitable for wet areas:	Yes

Features

- Premium rimless design
- Hygienic touch-free operation
- Complies with Part M of the Building Regulations
- WRAS approved tap, flush valve and inlet valve
- Concealed fixing stainless steel grab rails and hinged rail
- Simple one box solution

Finish options



Satin
Stainless Steel



Polished
Stainless Steel



Matt black
RAL 9005

Product description

Infrared premium rimless luxury back to wall Doc M toilet pack, left handed, satin
Infrared premium rimless luxury back to wall Doc M toilet pack, left handed, polished
Infrared premium rimless luxury back to wall Doc M toilet pack, left handed, matt black (RAL 9005)
Infrared premium rimless luxury back to wall Doc M toilet pack, right handed, satin
Infrared premium rimless luxury back to wall Doc M toilet pack, right handed, polished
Infrared premium rimless luxury back to wall Doc M toilet pack, right handed, matt black (RAL 9005)

Product code

NY03-DM-33111-SS
NY03-DM-33111-SP
NY03-DM-33111-MB
NY03-DM-33112-SS
NY03-DM-33112-SP
NY03-DM-33112-MB

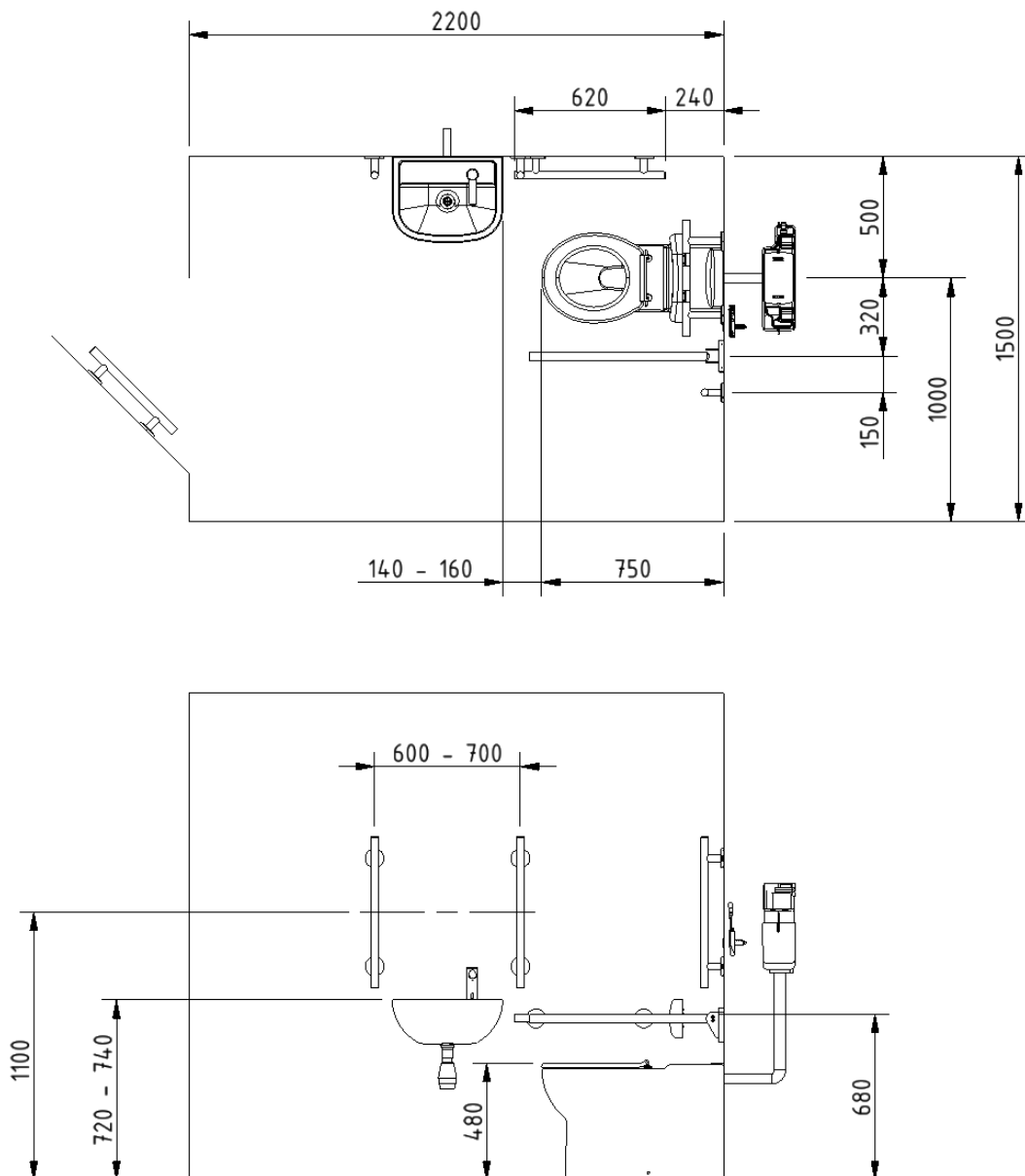
Disclaimer

NYMAS Group makes every effort to ensure that the information provided on this data sheet is correct. However, we cannot guarantee this, and accept no liability for any information or advice given on this data sheet.

Pack contents

- 4 x 620mm stainless steel luxury grab rails with concealed fixings
- 1 x 480mm stainless steel luxury grab rail with concealed fixings
- 1 x 800mm stainless steel contemporary hinged support rail with concealed fixings
- 1 x 220mm stainless steel luxury back rest rail and pad with concealed fixings
- 1 x Back to wall premium rimless Doc M pan
- 1 x Infrared concealed cistern with fittings, flush pipe, and mains powered sensor
- 1 x Ring only toilet seat
- 1 x Left or right handed 1 tap hole basin
- 1 x Contemporary mains powered infrared tap
- 1 x TMV3 Valve
- 1 x Basin waste

Dimensions (mm)



Premium rimless back to wall Doc M pan



Product details

Warranty:	Lifetime
Max rated load:	400 kg
Doc M compliant:	Yes
Suitable for wet areas:	Yes

Features

- Rimless design for ease of cleaning
- Extended projection to aid compliance with Part M of the Building Regulations
- UKCA and CE compliant
- Comfort height to allow easier side transfer from wheelchair

Finish options

WH

White
RAL 9016

Product description

Premium rimless back to wall Doc M pan

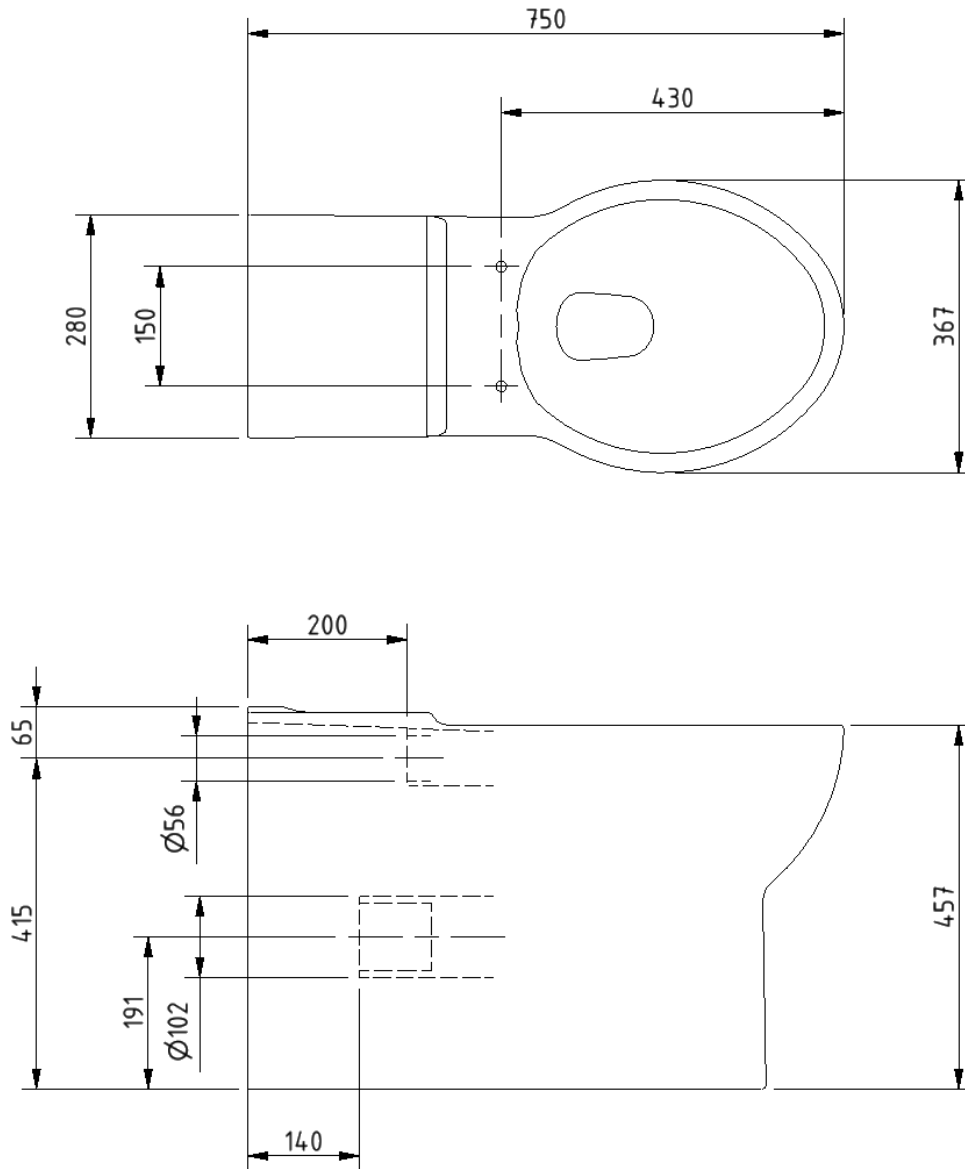
Product code

NY02-SW-33000-WH

Disclaimer

NYMAS Group makes every effort to ensure that the information provided on this data sheet is correct. However, we cannot guarantee this, and accept no liability for any information or advice given on this data sheet.

Dimensions (mm)



Infrared concealed cistern and fittings



Product details

Warranty:	5 years
Max rated load:	n/a
Doc M compliant:	Yes
Suitable for wet areas:	Yes

Features

- WRAS approved flush valve and inlet valve
- Supplied assembled for quick and easy installation
- Discreet Ø40mm IR sensor
- Sensor can be installed up to 250mm from cistern
- LED flush indication
- Front and top access panels
- Internal overflow warning
- Supports BREEAM.
- 6 litre mono flush
- Side inlet

Finish options



Polished
chrome



Satin
Stainless Steel



Matt black
RAL 9005

Product description

Infrared concealed cistern, with fittings and sensor, mains powered, polished chrome

Infrared concealed cistern, with fittings and sensor, mains powered, satin

Infrared concealed cistern, with fittings and sensor, mains powered, matt black (RAL 9005)

Product code

NY03-CISTIR01-CP

NY03-CISTIR01-SS

NY03-CISTIR01-MB

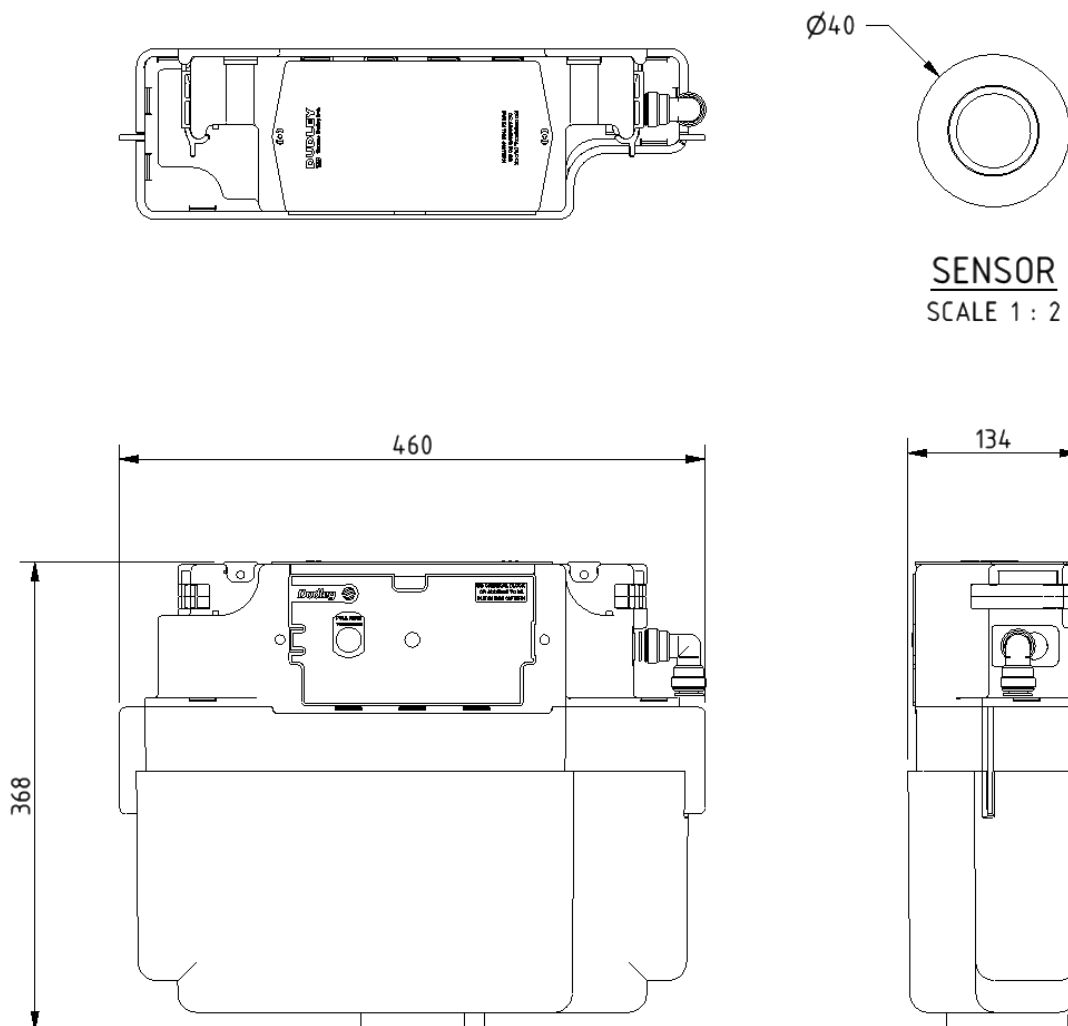
Disclaimer

NYMAS Group makes every effort to ensure that the information provided on this data sheet is correct. However, we cannot guarantee this, and accept no liability for any information or advice given on this data sheet.

Specification

Operating voltage:	6V DC
Mains supply:	230V AC 50Hz
Sensor cable length:	400mm
Sensor activation range:	Up to 50mm
Ingress protection:	IP44
Maximum wall thickness:	Up to 45mm

Dimensions (mm)



Toilet seat, ring only, stainless steel pillar hinge



Product details

Warranty:	2 years
Max rated load:	150 kg
Doc M compliant:	Yes
Suitable for wet areas:	Yes

Features

- Complies with Part M of the Building Regulations
- Anti-bacterial, strong and durable Duroplast seat
- Ergonomic and comfortable shape
- Stainless steel hinge
- Adjustable locating buffers
- Fits close coupled, low level, back to wall and wall hung pans

Finish options



WH

White
RAL 9016



DB

Dark blue
RAL 5011



DG

Dark grey
RAL 7016



GY

Grey
RAL 7005

Product description

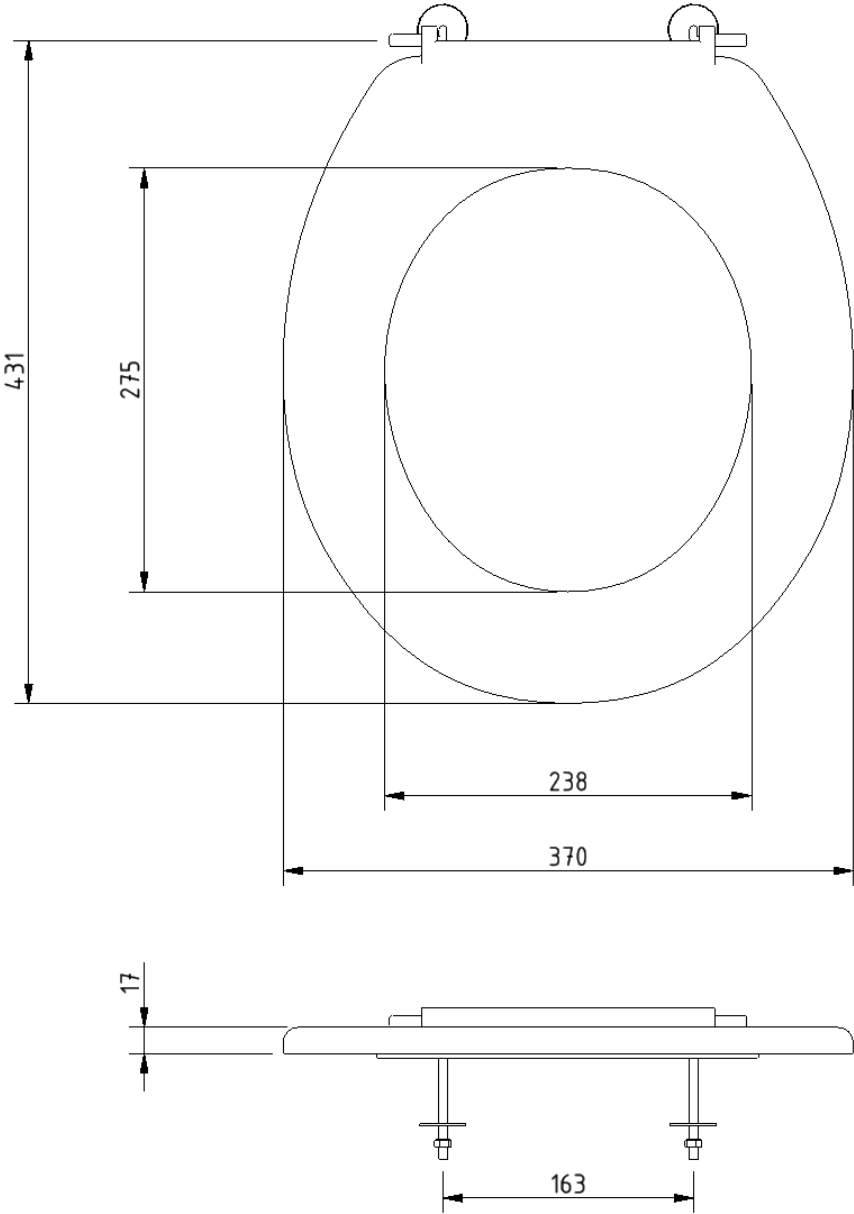
Product code

Toilet seat, ring only, stainless steel pillar hinge, dark blue (RAL 5011)	260015/DB
Toilet seat, ring only, stainless steel pillar hinge, dark grey (RAL 7016)	260015/DG
Toilet seat, ring only, stainless steel pillar hinge, grey (RAL 7005)	260015/GY
Toilet seat, ring only, stainless steel pillar hinge, white (RAL 9016)	260015/WH

Disclaimer

NYMAS Group makes every effort to ensure that the information provided on this data sheet is correct. However, we cannot guarantee this, and accept no liability for any information or advice given on this data sheet.

Dimensions (mm)



Top fix toilet seat hinge



Product details

Warranty: 2 years

Max rated load: n/a

Doc M compliant: n/a

Suitable for wet areas: Yes

Features

- Toilet seat hinge for use with premium rimless sanitary ware

Finish options

Not applicable

Product description

Top fix toilet seat hinge

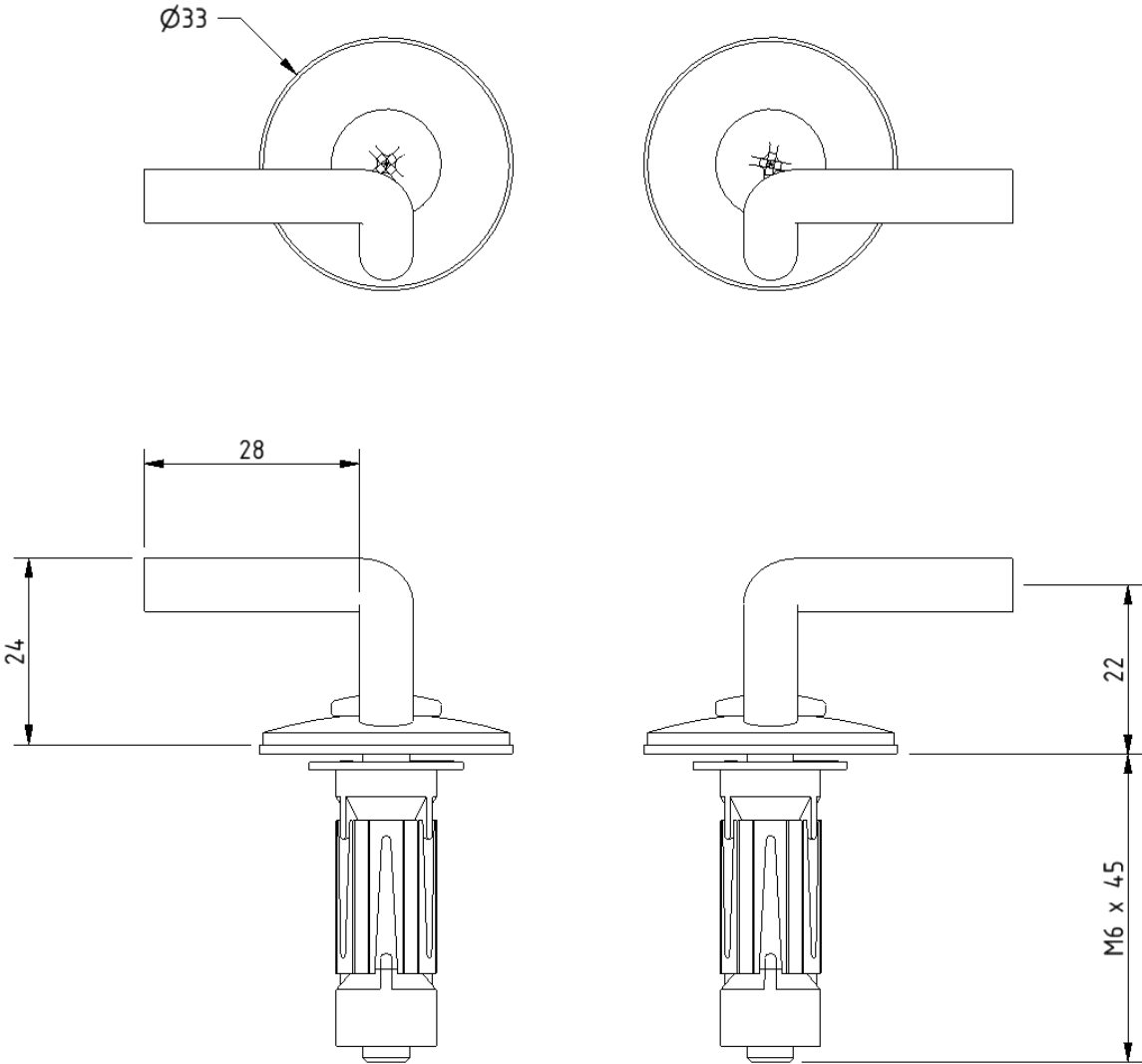
Product code

NY-TOPFIXHINGE

Disclaimer

NYMAS Group makes every effort to ensure that the information provided on this data sheet is correct. However, we cannot guarantee this, and accept no liability for any information or advice given on this data sheet.

Dimensions (mm)



Plastic flush pipe



Product details

Warranty:	2 years
Max rated load:	n/a
Doc M compliant:	Yes
Suitable for wet areas:	Yes

Features

- Manufactured from one piece, rigid white PVC, it has high strength and rigidity, allowing for a good seal to be made at either end, and maintaining a full flush.
- With its standard size being 18" x 18" this allows the installer to cut the pipe horizontally or vertically to size, allowing greater flexibility in cistern height installation, and wall to pan distance.

Finish options

WH

White
RAL 9016

Product description

Flush pipe, 457mm x 457mm x 50mm to 41mm, white

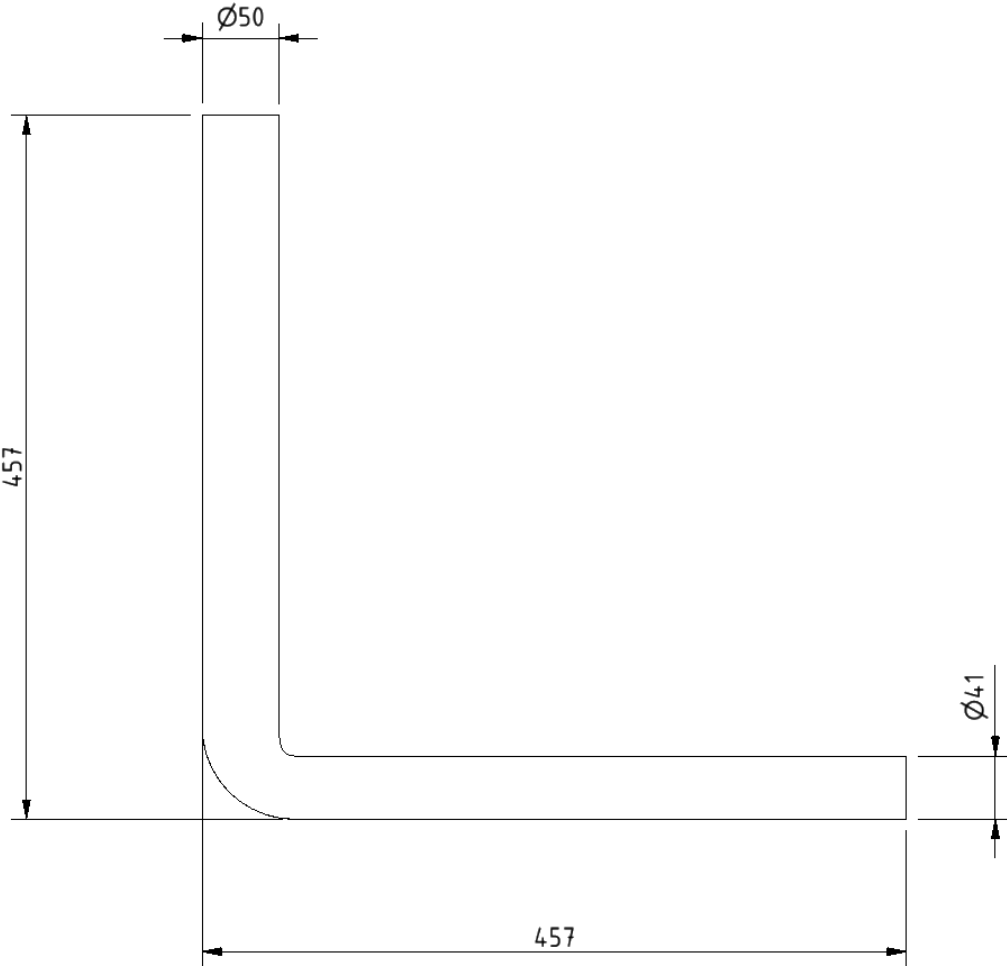
Product code

FLUSHPIPE01

Disclaimer

NYMAS Group makes every effort to ensure that the information provided on this data sheet is correct. However, we cannot guarantee this, and accept no liability for any information or advice given on this data sheet.

Dimensions (mm)



Premium Doc M basin



Product details

Warranty:	Lifetime
Max rated load:	n/a
Doc M compliant:	Yes
Suitable for wet areas:	Yes

Features

- Multiple tap hole configurations available removing the need for blanking caps
- Complies with Part M of the Building Regulations
- No overflow

Does NOT come with wall fixings (P-000247-X00X)

Finish options

WH

White
RAL 9016

Product description

- Premium Doc M basin, two tap holes, no overflow, white
- Premium Doc M basin, left handed tap hole, no overflow, white
- Premium Doc M basin, right handed tap hole, no overflow, white
- Premium Doc M basin, central tap hole, no overflow, white

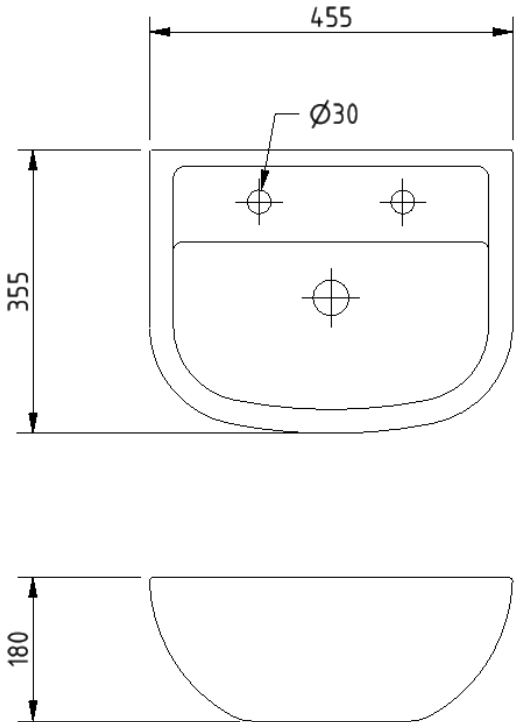
Product code

- NY02-SW-00100-WH
- NY02-SW-00101-WH
- NY02-SW-00102-WH
- NY02-SW-00103-WH

Disclaimer

NYMAS Group makes every effort to ensure that the information provided on this data sheet is correct. However, we cannot guarantee this, and accept no liability for any information or advice given on this data sheet.

Dimensions (mm)



FOR TAP HOLE POSITION DIMENSIONS SEE PRODUCT SPECIFIC MARKETING DRAWING

Contemporary mains powered infrared tap



Product details

Warranty:	5 years
Max rated load:	n/a
Doc M compliant:	Yes
Suitable for wet areas:	Yes

Features

- Complies with Part M of the Building Regulations
- WRAS approved
- Must be installed with a thermostatic mixing valve for premixed water (part code: BPLTMV)
- Hygienic touch-free operation
- Shuts off when hand is removed from in front of the sensor
- Water delivery automatically stops after 90 seconds (can be adjusted)

Finish options



Polished
chrome



Satin
Stainless Steel



Matt black
RAL 9005

Product description

Contemporary infrared tap, with fittings, mains powered, polished chrome
 Contemporary infrared tap, with fittings, mains powered, satin stainless steel
 Contemporary infrared tap, with fittings, mains powered, matt black (RAL 9005)

Product code

NY03-TAPIR01-CP
 NY03-TAPIR01-SS
 NY03-TAPIR01-MB

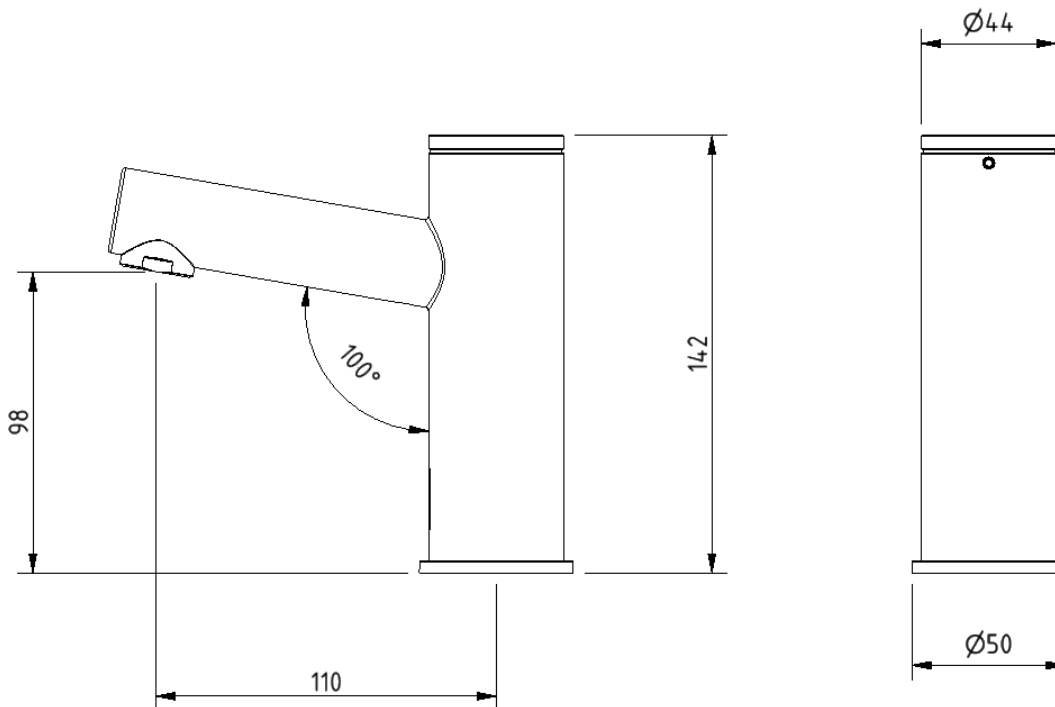
Disclaimer

NYMAS Group makes every effort to ensure that the information provided on this data sheet is correct. However, we cannot guarantee this, and accept no liability for any information or advice given on this data sheet.

Specification

Operating voltage:	9V DC
Mains supply:	230V AC 50Hz
Maximum dynamic pressure:	0.5 bar MIN, 8 bar MAX
Maximum hot water supply temperature:	70 degrees Celsius
Sensor range:	80 - 300mm (220mm preset)
Connection:	½" BSP
Flow rate:	6 litre per minute

Dimensions (mm)



Basin waste with stainless steel grid, no plug



Product details

Warranty: 2years

Max rated load: n/a

Doc M compliant: n/a

Suitable for wet areas: Yes

Features

- Quick and simple installation
- Manufactured from high quality materials
- Stainless steel grid
- Plastic Body

Finish options

Not applicable

Product description

Basin waste with stainless steel grid, no plug

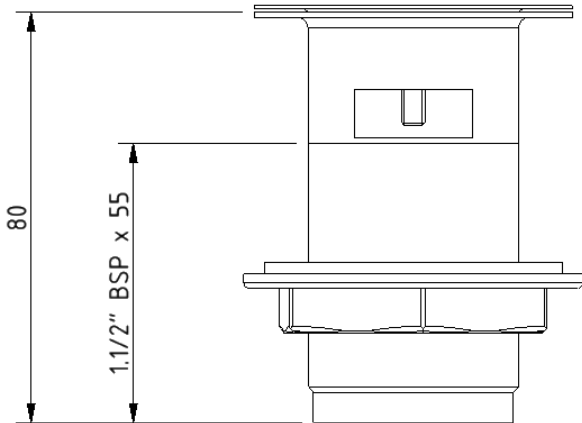
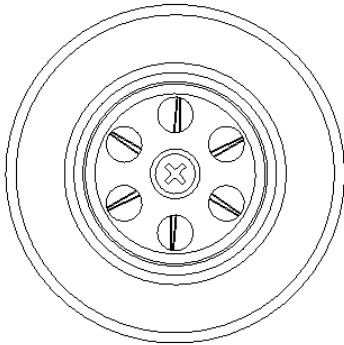
Product code

P-000241-X00X

Disclaimer

NYMAS Group makes every effort to ensure that the information provided on this data sheet is correct. However, we cannot guarantee this, and accept no liability for any information or advice given on this data sheet.

Dimensions (mm)



Luxury straight stainless steel grab rail with concealed fixings



Product details

Warranty:	5 years
Max rated load:	200 kg
Doc M compliant:	Yes
Suitable for wet areas:	Yes

Features

- High quality stainless steel construction
- Concealed fixings
- Stylish T-bar design
- Complies with Part M of the Building Regulations

Finish options



Satin
Stainless Steel



Polished
Stainless Steel



Matt black
RAL 9005

Product description

Luxury grab rail, straight, stainless steel, concealed fixings, 355mm
Luxury grab rail, straight, stainless steel, concealed fixings, 480mm
Luxury grab rail, straight, stainless steel, concealed fixings, 620mm
Luxury grab rail, straight, stainless steel, concealed fixings, 900mm

Product code

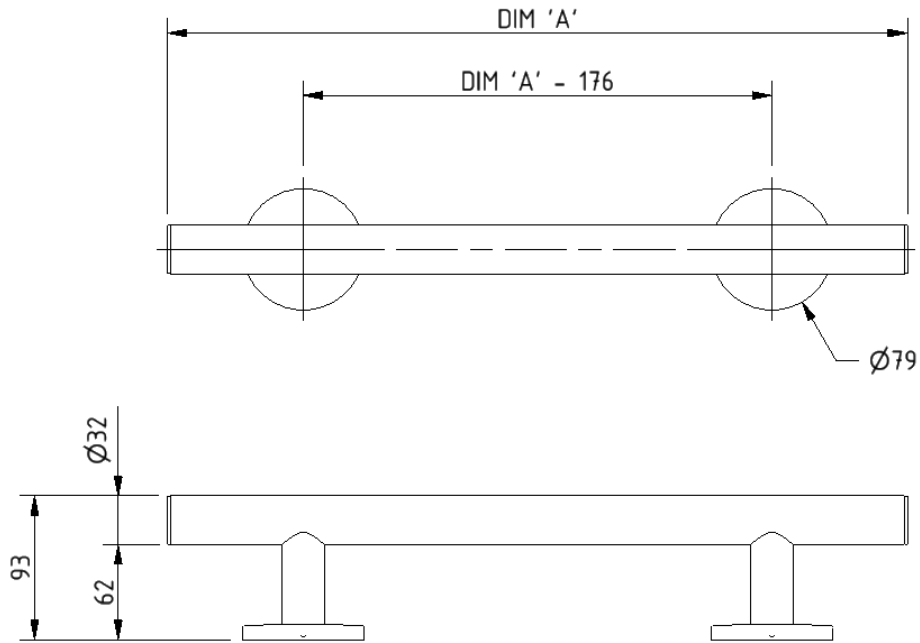
311435/**
311448/**
311462/**
311490/**

Replace ** with finish option code above e.g., 311435/SP

Disclaimer

NYMAS Group makes every effort to ensure that the information provided on this data sheet is correct. However, we cannot guarantee this, and accept no liability for any information or advice given on this data sheet.

Dimensions (mm)



PRODUCT CODE	311435/**	311448/**	311462/**	311490/**
DIM 'A'	355	480	620	900

Contemporary stainless steel single arm friction hinged rail with concealed fixing



Product details

Warranty: 5 years

Max rated load: 90 kg

Doc M compliant: Yes

Suitable for wet areas: Yes

Features

- Contemporary single arm design
- Premium friction folding mechanism
- High quality stainless steel construction
- Complies with Part M of the Building Regulations

Finish options



Satin
Stainless Steel



Polished
Stainless Steel



Matt black
RAL 9005

Product description

Contemporary single arm friction rail, stainless steel, concealed fixings

Product code

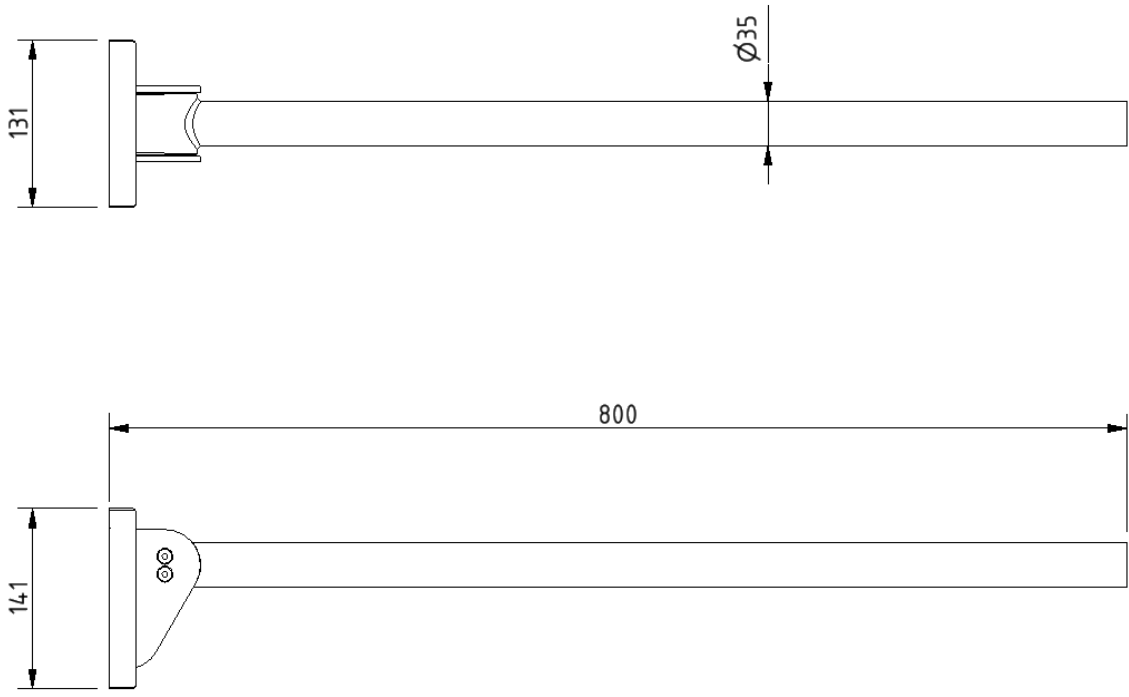
310480C/**

Replace ** with finish option code above e.g., 310480C/SP

Disclaimer

NYMAS Group makes every effort to ensure that the information provided on this data sheet is correct. However, we cannot guarantee this, and accept no liability for any information or advice given on this data sheet.

Dimensions (mm)



Luxury stainless steel back rest rail and pad with concealed fixings



Product details

Warranty:	5 years
Max rated load:	n/a
Doc M compliant:	Yes
Suitable for wet areas:	Yes

Features

- Durable wipe clean polyurethane pad
- Non-corrosive stainless steel construction
- Saddle clips for fixing pad to rail
- Complies with Part M of the Building Regulations
- Stylish T-Bar design

Finish options



Satin
Stainless Steel



Polished
Stainless Steel



Matt black
RAL 9005

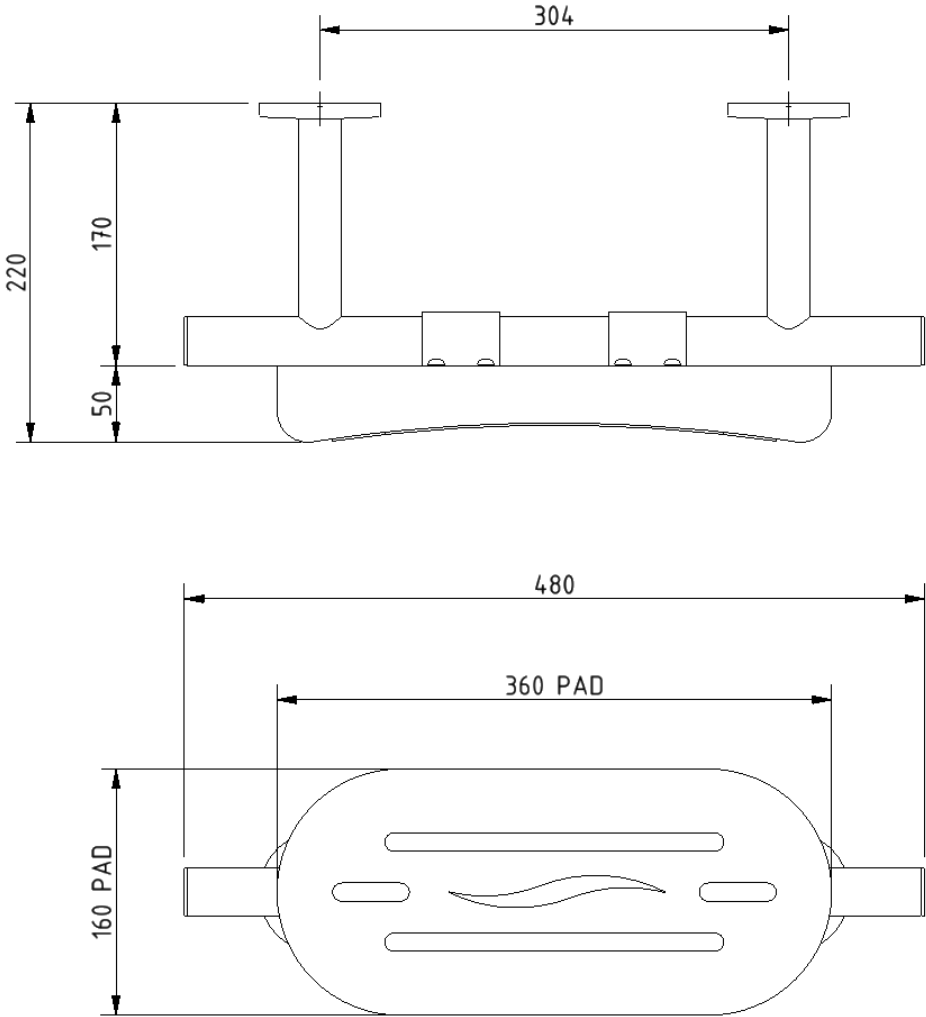
Product description

Product description	Product code
Luxury back rest rail, including pad, stainless steel, concealed fixings, overall projection 220mm, matt black	311300/MB
Luxury back rest rail, including pad, stainless steel, concealed fixings, overall projection 220mm, polished	311300/SP
Luxury back rest rail, including pad, stainless steel, concealed fixings, overall projection 220mm, satin	311300/SS

Disclaimer

NYMAS Group makes every effort to ensure that the information provided on this data sheet is correct. However, we cannot guarantee this, and accept no liability for any information or advice given on this data sheet.

Dimensions (mm)



TMV3 inline thermostatic mixing valve



Product details

Warranty:	2 years
Max rated load:	n/a
Doc M compliant:	Yes
Suitable for wet areas:	Yes

Features

- TMV3 approved
- WRAS approved
- Complies with Part M of the Building Regulations
- Building Regulations Part G compliant
- Highly resistant to scaling
- Anti-tamper proof head

Finish options



Polished
chrome

Product description

TMV3 inline thermostatic mixing valve - 15mm

Product code

BPLTMV

Disclaimer

NYMAS Group makes every effort to ensure that the information provided on this data sheet is correct. However, we cannot guarantee this, and accept no liability for any information or advice given on this data sheet.

Dimensions (mm)

