

PRODUCT DATA SHEET

Core Wall Mounted Basin and Filler Brushed Bronze

Product Code: NU-040

Product Name	NU-040
Product Description	Core Wall Mounted Basin and Filler Brushed Bronze
Product Transportation	
Barcode	5060964935393
Country of origin	CH
Commodity code	8481809000
Product Measurements	
Product Weight (KG)	1.357
Product Width (mm)	See line drawing
Product Height (mm)	See line drawing
Product Depth (mm)	See line drawing
Product Length (mm)	N/a
Primary Packed Measurements	
Packaged Weight	1.929
Packed Length	200
Packed Width	130
Packed Height	70
Packaging Weights	
Card (kg)	0.372
Paper (kg)	0.0016
Wood (kg)	0
Plastic (kg)	0.005
Compliance DOP	N/a

General Information	
Construction Material	Brass /Stainless steel 304 alloy
Installation type	Wall Fixed
Colour / Finish	Brushed Bronze
Tap / Shower Attributes	
WRAS Approved	Yes
TMV Approved	No
Minimum Operating Pressure (bar)	0.5
Maximum Operating Pressure (bar)	5
Flexible Tails Included	Yes
Number of tap holes required	1
Handle Type	Lever
Swivel Spout	No
Inlet Connection	1/2 BSP
Outlet Connection	N/a
Tap Hole Diameter (mm)	35
Tap Type description	Mono Mixer
Includes Waste	No
Valve / Cartridge Type	35mm Cartridges
Cartridge Spare code	N/a
Flow Rates	
0.2bar (l/min)	3.8
0.5bar (l/min)	6.3
1bar (l/min)	8.3
2bar (l/min)	11.8
3bar (l/min)	14.3

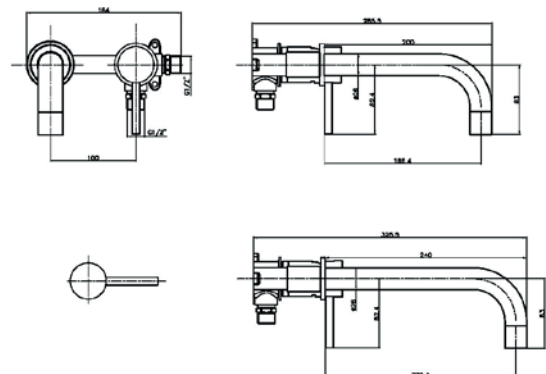


SCUDO
BEAUTIFUL BATHROOMS

0330 124 7290

sales@scudo.co.uk - www.scudo.co.uk

Scudo is the trading name of Harrison Bathrooms Ltd. Whilst we endeavour to ensure that the product information is accurate we accept no liability for any information given. All images are for illustration purposes only. Product images and specification are subject to change. Measurement are in millimetres and are nominal.



Dimensions
(measurements in mm)



LIFETIME GUARANTEE

We are confident in our products and we want our customer to be, we proudly give a lifetime guarantee on our taps and showers, further details can be found on our website