

PRODUCT DATA SHEET

Octagonal Mirror 600 Matte Black

Product Code: MIRROR015



SCUDO
BEAUTIFUL BATHROOMS

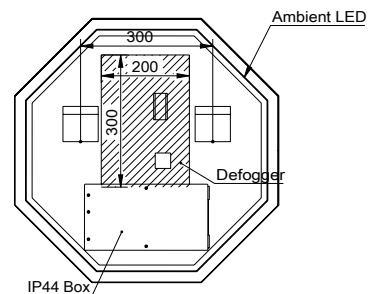
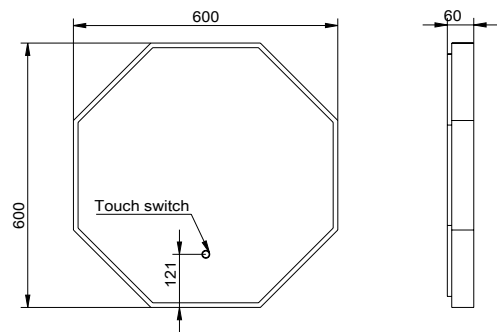
0330 124 7290

sales@scudo.co.uk - www.scudo.co.uk

Scudo is the trading name of Harrison Bathrooms Ltd. Whilst we endeavour to ensure that the product information is accurate we accept no liability for any information given. All images are for illustration purposes only. Product images and specification are subject to change. Measurements are in millimetres and are nominal.

Product Name	MIRROR015
Product Description	Octagonal Mirror 600 Matte Black
Product Transportation	
Barcode	5060991252425
Country of origin	CHINA
Commodity code	7009910000
Product Measurements	
Product Weight (KG)	6.5
Product Width (mm)	600
Product Height (mm)	600
Product Depth (mm)	60
Primary Packed Measurements	
Packaged Weight	8.5
Packed Length	
Packed Width	
Packed Height	

General Information	
Construction Material	Copper Free Mirror / Aluminium
Installation type	Wall Mounted
Colour / Finish	Matte Black
Mirror Attributes	
Bulb Watts	35
Bulb Type	LED
Voltage	230
Switch Type	Infrared
Shaving Socket	No
Demister	Yes
Clock	No
Hang Type	Portrait
Light Colour	COOL/WARM WHITE
Lumens	2309
Light Temperature	2700-6500K
Dimmable	Yes
Energy Rating	F
Internal Shelves	NO
Down Light	NO
Bluetooth Speaker	NO
IP Rating	IP44



Dimensions

(Measurements in mm)



LIFETIME GUARANTEE

We are confident in our products and we want our customer to be, we proudly give a lifetime guarantee on our taps and showers, further details can be found on our website.