

# PRODUCT DATA SHEET

## Countertop WH Basin 560x380x120 GWTE Pre Tap Hole

Product Code: VESSEL002



**SCUDO**  
BEAUTIFUL BATHROOMS

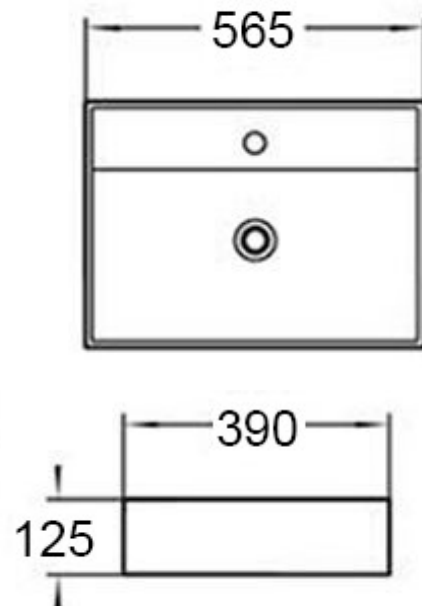
0330 124 7290

sales@scudo.co.uk - www.scudo.co.uk

Scudo is the trading name of Harrison Bathrooms Ltd. Whilst we endeavour to ensure that the product information is accurate we accept no liability for any information given. All images are for illustration purposes only. Product images and specification are subject to change. Measurements are in millimetres and are nominal.

Product Name	VESSEL002
Product Description	Countertop WH Basin 560x380x120 GWTE Pre Tap Hole
Product Transportation	
Barcode	5060991254368
Country of origin	China
Commodity code	6910900000
Product Measurements	
Product Weight (KG)	12.2
Product Width (mm)	565
Product Height (mm)	125
Product Depth (mm)	390
Primary Packed Measurements	
Packaged Weight	13
Packed Length	580
Packed Width	140
Packed Height	400

General Information	
Construction Material	Ceramic
Installation type	Wall Hung / Countertop
Colour / Finish	White
Basin Attributes	
Basin Type	Wall Hung / Countertop
Number of Tap Holes	1 - Pre Tap
Overflow	Yes
Recommended waste type	Slotted / Universal
Inner Bowl Width (mm)	560
Inner Bowl Length (mm)	310
Inner Bowl Depth (mm)	100



**Dimensions**  
(Measurements in mm)



### LIFETIME GUARANTEE

We are confident in our products and we want our customer to be, we proudly give a lifetime guarantee on our taps and showers, further details can be found on our website.