

PRODUCT DATA SHEET

Mono LED Mirror 500x700

Product Code: MONO-500X700



SCUDO
BEAUTIFUL BATHROOMS

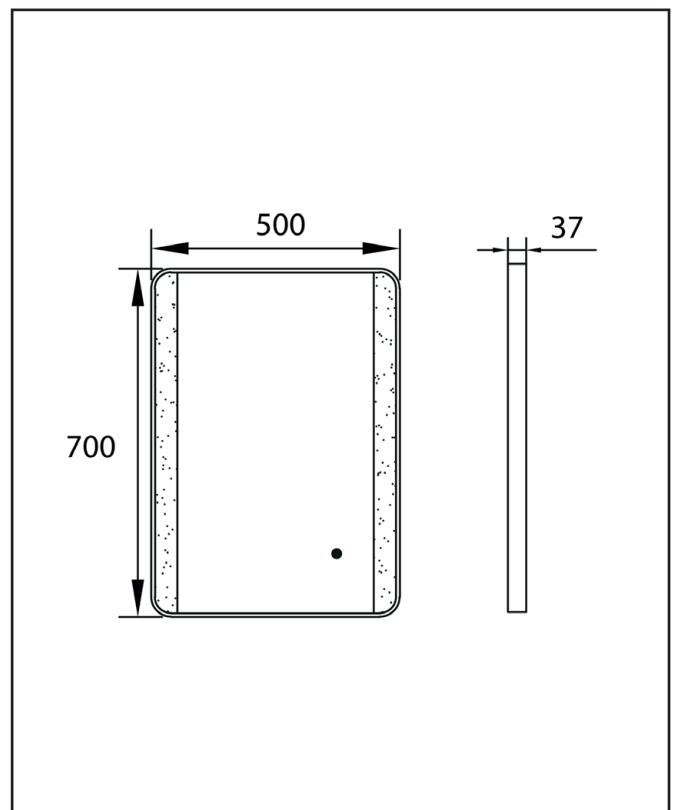
0330 124 7290

sales@scudo.co.uk - www.scudo.co.uk

Scudo is the trading name of Harrison Bathrooms Ltd. Whilst we endeavour to ensure that the product information is accurate we accept no liability for any information given. All images are for illustration purposes only. Product images and specification are subject to change. Measurement are in millimetres and are nominal.

Product Name	MONO-500X700
Product Description	Mono Soft Square Mirror W/Demister and Colour Change 500X700mm
Product Transportation	
Barcode	5060500644710
Country of origin	CH
Commodity code	7009920000
Product Measurements	
Product Weight (KG)	7.4
Product Width (mm)	500
Product Height (mm)	37
Product Depth (mm)	0
Product Length (mm)	700
Primary Packed Measurements	
Packaged Weight	9.5
Packed Length	820
Packed Width	610
Packed Height	100
Packaging Weights	
Card (kg)	1.5
Paper (kg)	0
Wood (kg)	0
Plastic (kg)	0
Compliance DOP	HBDOC001 , HBDOC002

General Information	
Construction Material	Glass / Steel
Installation type	Wall Mounted
Colour / Finish	Mirror / Black
Mirror Attributes	
Bulb Watts	26
Bulb Type	LED
Voltage	0
Switch Type	TOUCH SENSOR
Shaving Socket	NO
Demister	YES
Clock	NO
Hang Type	VERTICAL/PORTRAIT
Light Colour	COOL/WARM WHITE
Lumens	1120
Light Temperature	3000/6400K
Dimmable	NO
Energy Rating	F
Internal Shelves	NO
Down Light	NO
Bluetooth Speaker	NO
IP Rating	IP44
Transformer Included	Yes



Dimensions
(measurements in mm)



LIFETIME GUARANTEE

We are confident in our products and we want our customer to be, we proudly give a lifetime guarantee on our taps and showers, further details can be found on our website