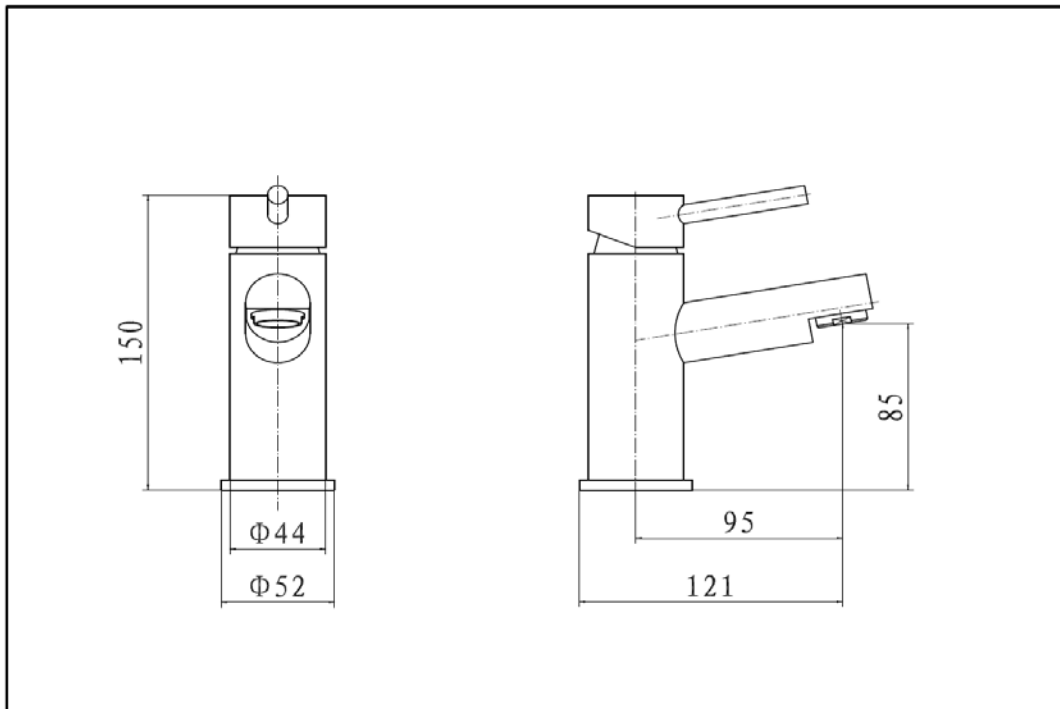


**TAP010PL- PLAN MONO BASIN MIXER WITH CLICK WASTE****ILLUSTRATION: PLAN MONO BASIN MIXER****BAR CODE: 5060168228482****COLOUR: CHROME PLATE****WEIGHT:****NET 0.81 kg (tap only)****GROSS 1.48 kg****STANDARDS: BS EN 200****NOTES: SUPPLIED WITH CLICK WASTE****1/2" BSP FLEXI HOSES****CERAMIC DISC CARTRIDGE TECHNOLOGY****Flow Rate: L.P**

0.2bar	0.5bar	1bar	2bar	3bar
3.8L/min	6.2L/min	8.8L/min	12.5L/min	15.4L/min

**BOX SIZE 220 x 150 x 90 mm**

**TAP011PL- PLAN MONO BIDET MIXER WITH POP-UP WASTE**



**ILLUSTRATION: PLAN MONO BIDET MIXER**

**BAR CODE: 5060168228499**

**COLOUR: CHROME PLATE**

**WEIGHT:**

**NET 0.76 kg (tap only)**

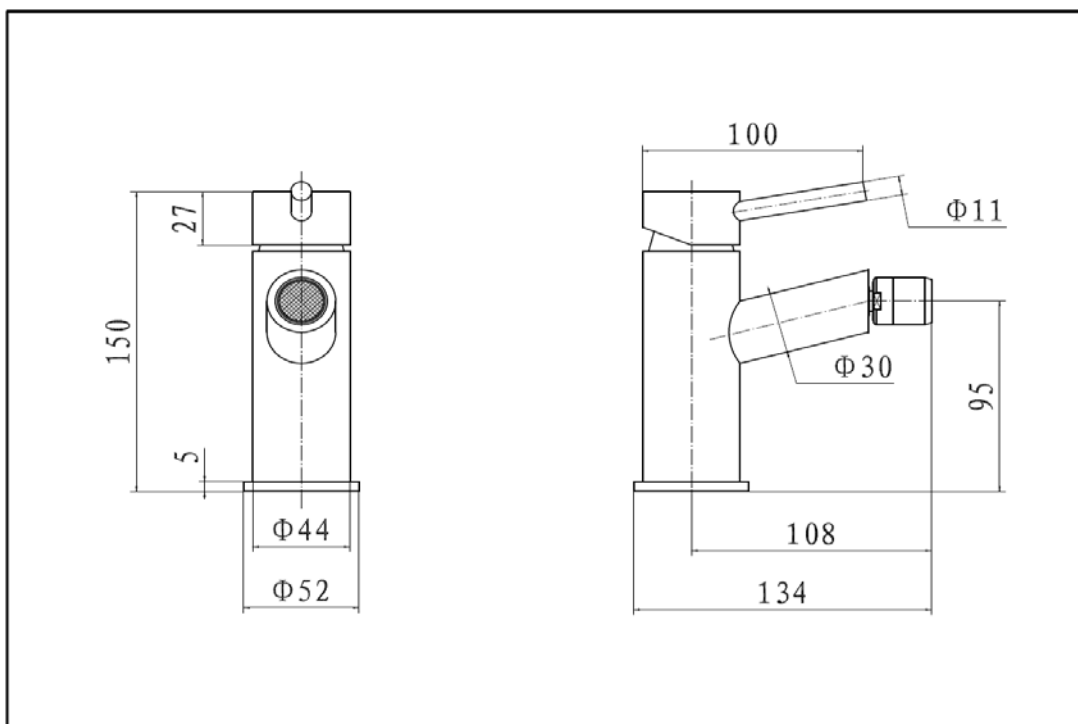
**GROSS 1.5 kg**

**STANDARDS: BS EN 200**

**NOTES: SUPPLIED WITH POP-UP WASTE  
1/2" BSP FLEXI HOSES  
CERAMIC DISC CARTRIDGE TECHNOLOGY**

**Flow Rate: L.P**

0.2bar	0.5bar	1bar	2bar	3bar
3.8L/min	6.2L/min	8.8L/min	12.5L/min	15.4L/min



**BOX SIZE 220 x 150 x 90 mm**

**TAP012PL- PLAN BATH SHOWER MIXER**

**ILLUSTRATION: PLAN BATH SHOWER MIXER**

**BAR CODE: 5060168228505**

**COLOUR: CHROME PLATE**

**WEIGHT:**

**NET 1.95 kg (tap only)**

**GROSS 2.65 KG**

**STANDARDS: BS EN 200**

**NOTES: SHOWER HOSE AND HAND SET**

**3/4" BSP CONNECTIONS**

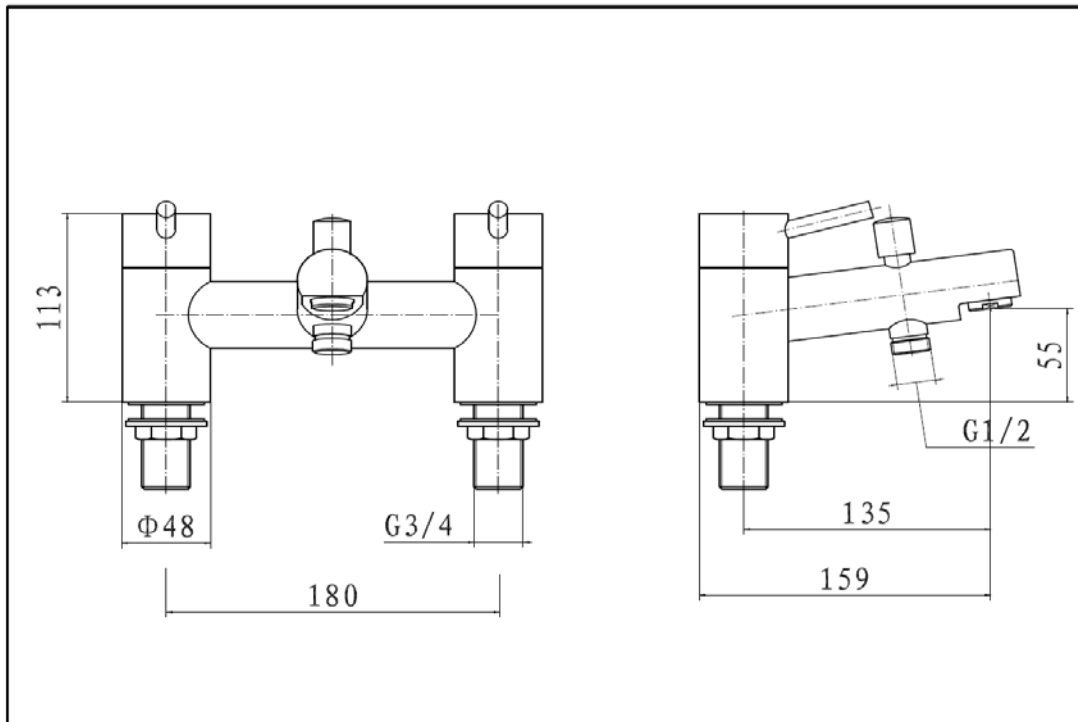
**CERAMIC DISC TECHNOLOGY**

**WALL BRACKET**



**Flow Rate: M.P**

0.2bar	0.5bar	1bar	2bar	3bar
9.3L/min	14.5L/min	20.8L/min	29.5L/min	38.1L/min



**BOX SIZE 250 x 190 x 180 mm**

**TAP013PL- PLAN BATH FILLER**

ILLUSTRATION: PLAN BATH FILLER

BAR CODE: 5060168228512

COLOUR: CHROME PLATE

WEIGHT:

NET 1.85 kg

GROSS 2.13 kg

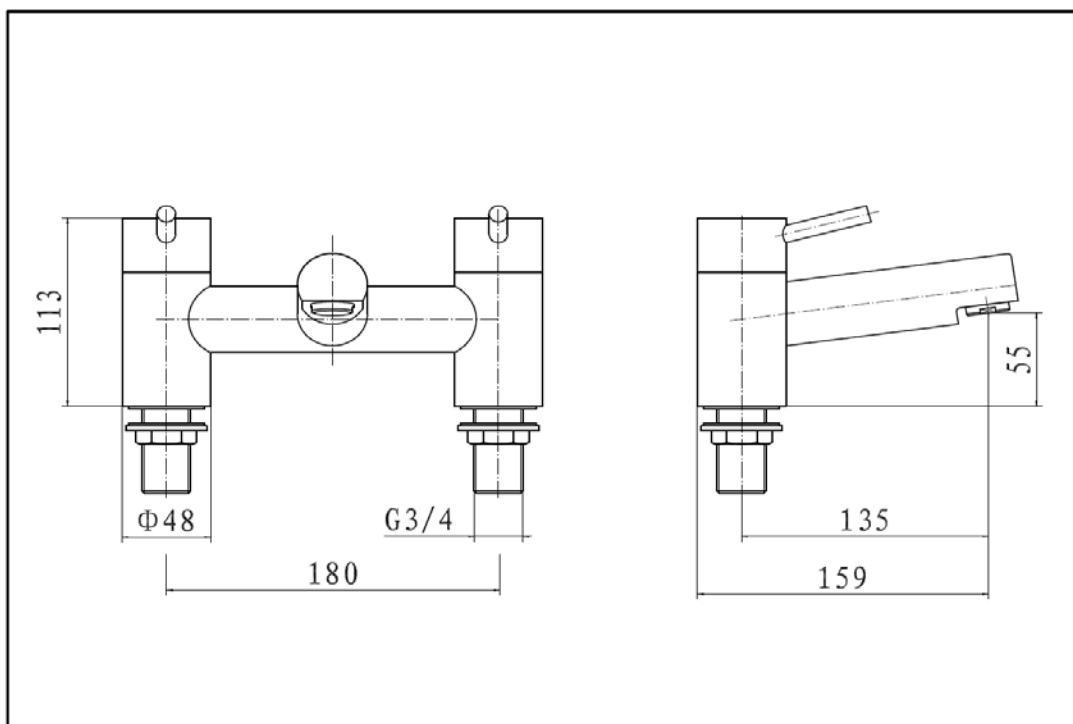
STANDARDS: BS EN 200

NOTES:

3/4" BSP CONNECTIONS  
CERAMIC DISC TECHNOLOGY

Flow Rate: M.P

0.2bar	0.5bar	1bar	2bar	3bar
9.6L/min	14.9L/min	21L/min	29.8L/min	42.6L/min



BOX SIZE 250 x 190 x 180 mm

**TAP014PL- PLAN HI-RISE MONO BASIN MIXER**



**ILLUSTRATION: PLAN HI-RISE MONO BASIN MIXER**

**BAR CODE: 5060168228529**

**COLOUR: CHROME PLATE**

**WEIGHT:**

**NET 1.3 kg (tap only)**

**GROSS 1.68 kg**

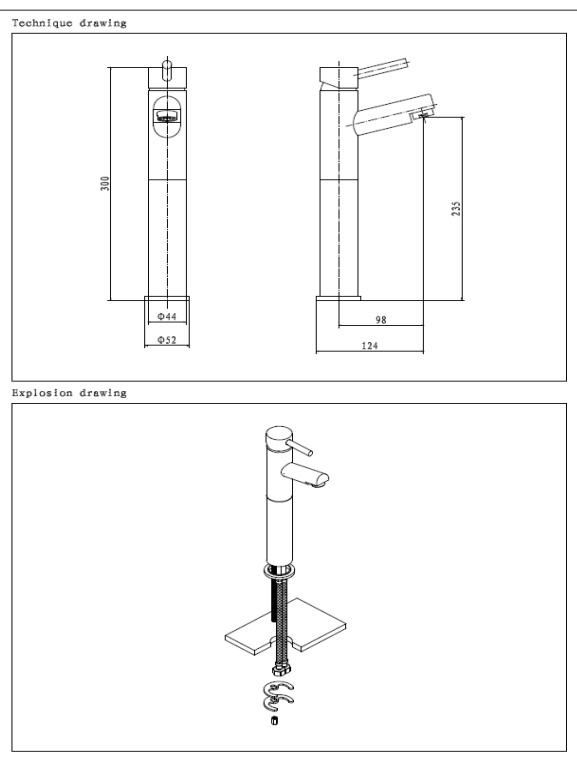
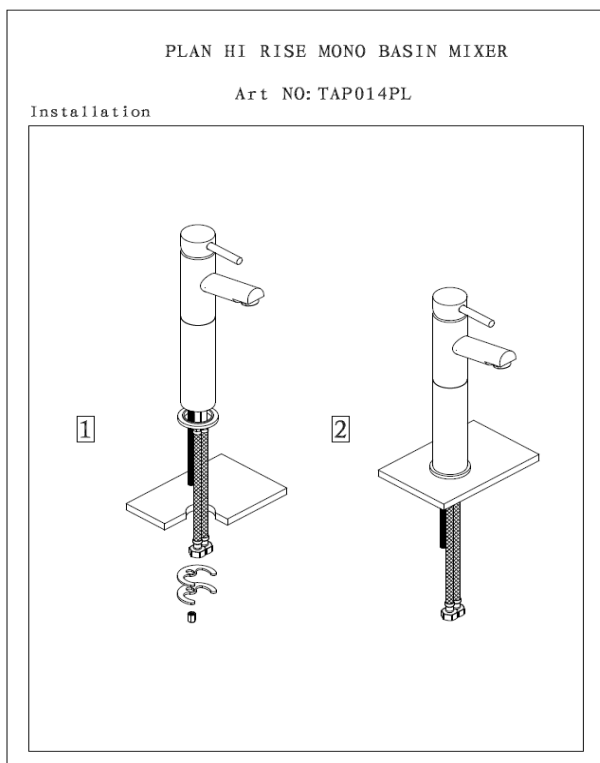
**STANDARDS: BS EN 200**

**NOTES:**

**1/2" BSP FLEXI HOSES  
CERAMIC DISC CARTRIDGE TECHNOLOGY**

**Flow Rate: M.P**

0.2bar	0.5bar	1bar	2bar	3bar
3.8L/min	6.2L/min	8.8L/min	12.5L/min	15.4L/min



**BOX SIZE 385 x 150 x 70 mm**

**TAP015PL- PLAN BASIN PILLAR TAPS**

ILLUSTRATION: PLAN BASIN PILLAR TAPS

BAR CODE: 5060168228536

COLOUR: CHROME PLATE

WEIGHT:

NET 1.26 kg

GROSS 1.4 kg

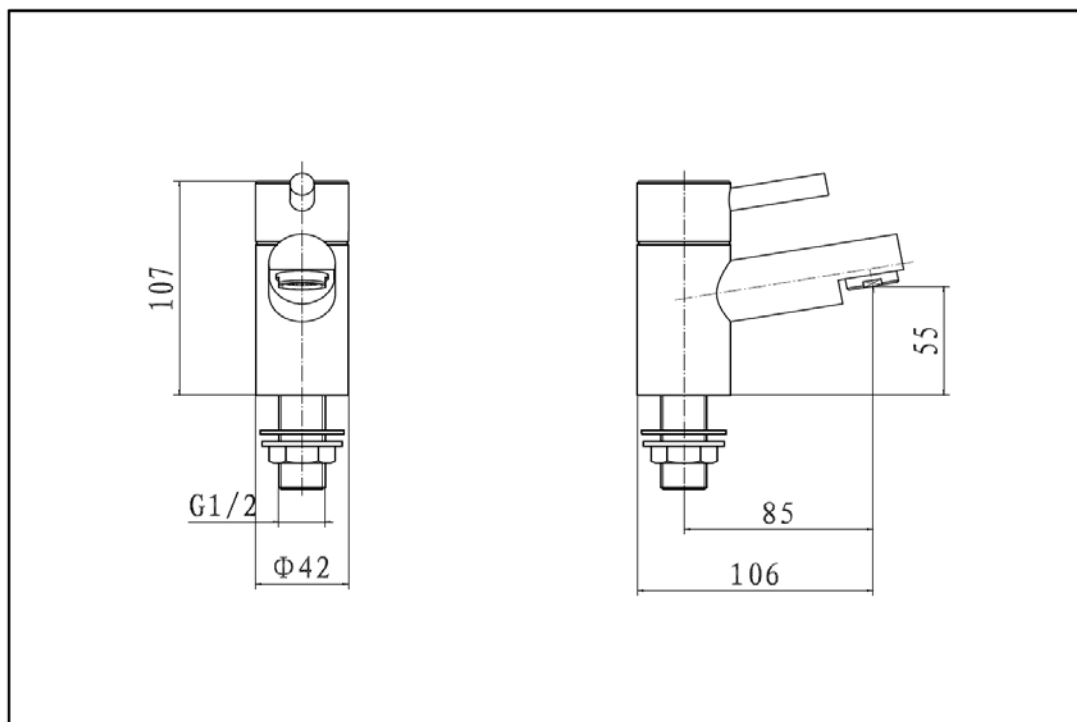
STANDARDS: BS EN 200

NOTES:

1/2" BSP CONNECTIONS  
CERAMIC DISC TECHNOLOGY

Flow Rate: L.P

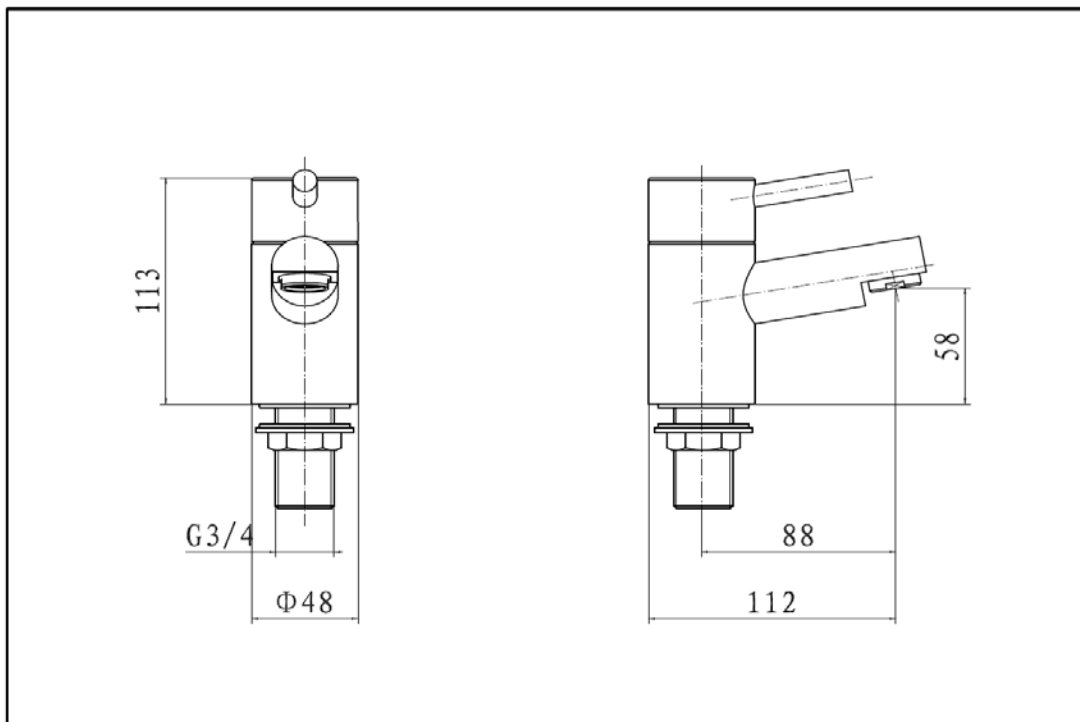
0.2bar	0.5bar	1bar	2bar	3bar
5.5L/min	8.4L/min	12.7L/min	16.8L/min	20.8L/min



BOX SIZE 220 x 150 x 90 mm

**TAP016PL- PLAN BATH PILLAR TAPS****ILLUSTRATION: PLAN BATH PILLAR TAPS****BAR CODE: 5060168228543****COLOUR: CHROME PLATE****WEIGHT:****NET 1.6 kg****GROSS 1.7 kg****STANDARDS: BS EN 200****NOTES:****3/4" BSP CONNECTIONS  
CERAMIC DISC TECHNOLOGY****Flow Rate: M.P**

0.2bar	0.5bar	1bar	2bar	3bar
5.5L/min	8.4L/min	12.7L/min	16.8L/min	20.8L/min

**BOX SIZE 220 x 150 x 90 mm**

**TAP017PL- PLAN FREE STANDING BATH SHOWER MIXER**



**ILLUSTRATION: PLAN FREE STANDING B/S MIXER**

**BAR CODE: 5055681400675**

**COLOUR: CHROME PLATE**

**WEIGHT:**

**NET 5.5 kg**

**GROSS 7 kg**

**STANDARDS: BS EN 200**

**NOTES:**

**CERAMIC DISC CARTRIDGE TECHNOLOGY**

**Flow Rate: H.P**

0.2bar	0.5bar	1bar	2bar	3bar
4L/min	7.3L/min	10.2L/min	14.6L/min	17.8L/min

**PLAN FREE STANDING BATH SHOWER MIXER**  
Art NO: TAP017PL

**Installation**

**Technique drawing**

**Explosion drawing**

**BOX SIZE 950 x 240 x 150 mm**



### TAP018PL- PLAN 4 HOLE BATH SHOWER MIXER



ILLUSTRATION: PLAN 4 HOLE BATH SHOWER MIXER

BAR CODE: 5055681400682

COLOUR: CHROME PLATE

WEIGHT:

NET 3.1 kg

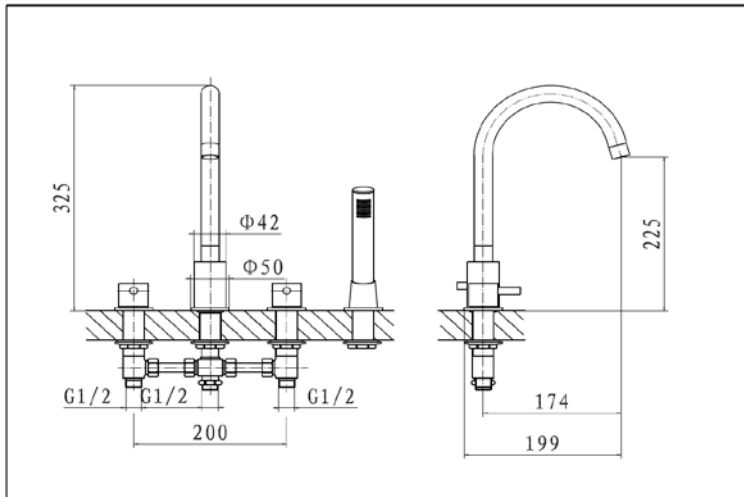
GROSS 3.93 kg

STANDARDS: BS EN 200

NOTES: SHOWER HOSE AND HAND SET  
1/2" BSP CONNECTIONS  
CERAMIC DISC TECHNOLOGY

Flow Rate: H.P

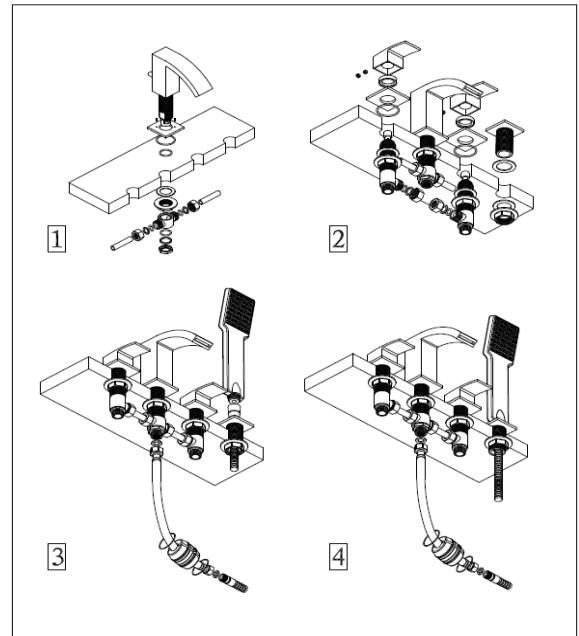
0.2bar	0.5bar	1bar	2bar	3bar
3.8L/min	6.2L/min	8.8L/min	12.5L/min	15.4L/min



#### PLAN4 HOLE BATH SHOWER MIXER

Art NO: TAP018PL

Installation



BOX SIZE 260 x 260 x 120 mm