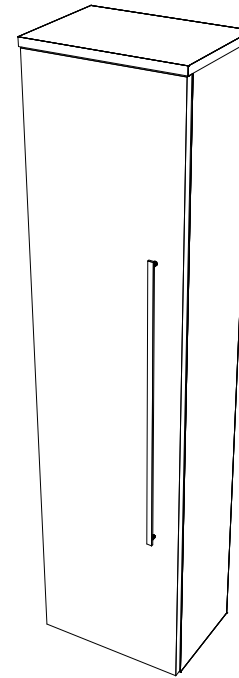
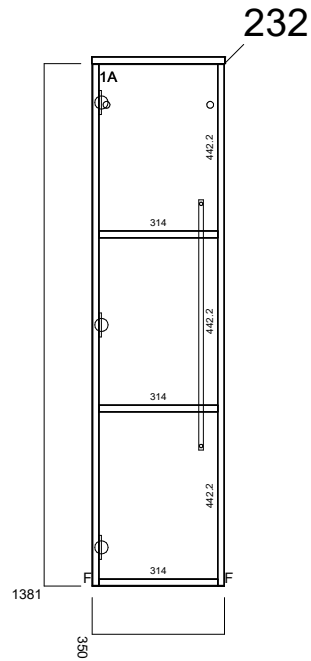


Specification



Tolerance Guidelines (Carcase Assembly)

Doors:
Doors including edge band (if required) + or - 0.5mm

Carcase:
Rails and Shelves + or - 0.5mm

Squareness:
Panels to be checked back to back + or - 1.0mm per linear metre
Panels corner to corner (diagonal) + or - 1.0mm per linear metre

Drilling:
Visible holes must be clean of chipping on circumference
Location + or - 0.5mm
Diameter + or - 0.1mm
Depth + or - 0.5mm
Countersunk hole depth no greater than 1.5mm depth
Spikes must be clearly visible

Groove / Slot / Rebate:
Depth + or - 0.5mm
Width + 0.5mm or - 0.0mm
Distance from Datum Edge + or - 0.5mm

Chipping:
A Face is visible at all times – no chipping allowed
B Face is intermittently visible – no chipping allowed
C Face is not visible – intermittent allowed

Refer to quality documentation and any relevant customer specification for more concise tolerance guidelines

Doors				
1	1376	346	HORIZONTAL Cut and Edged	0.8mm London Oak Silver
Panel Stock				
1	1381	232	Finished Left End	18mm LondonOakSilver
1	1381	232	Finished Right End	18mm LondonOakSilver
1	1362.5	314	Unfinished Back	18mm White PFL
1	314	231.5	Bottom	18mm White PFL
1	352	252	Top	18mm LondonOakSilver
2	314	194.5	Fixed Shelf	18mm White PFL
Hardware				
1	640	12	Door Pull	Purity Handle 640ctr
3	63.5	25.4	Hinge	110D Slyder S/C Hinge
Fittings				
2	WALL HANGER BRACKET			
28	8MM DOWEL			

Comment
Created 04Jul2022 - GS
Spider wall mount
Door loose, universally drilled, do not fit hinge plates
PURWMTU Purity Wall Mounted Tall Unit [PSO1400SU]

Cabinet Number	Quantity
33	1
Customer Kartell	
Sales Order SO	
Reference Purity Range	
Product PURWMTU-O	
Size H1381 x W350 x D232	
Print Date 08/02/23 @8:02 AM	