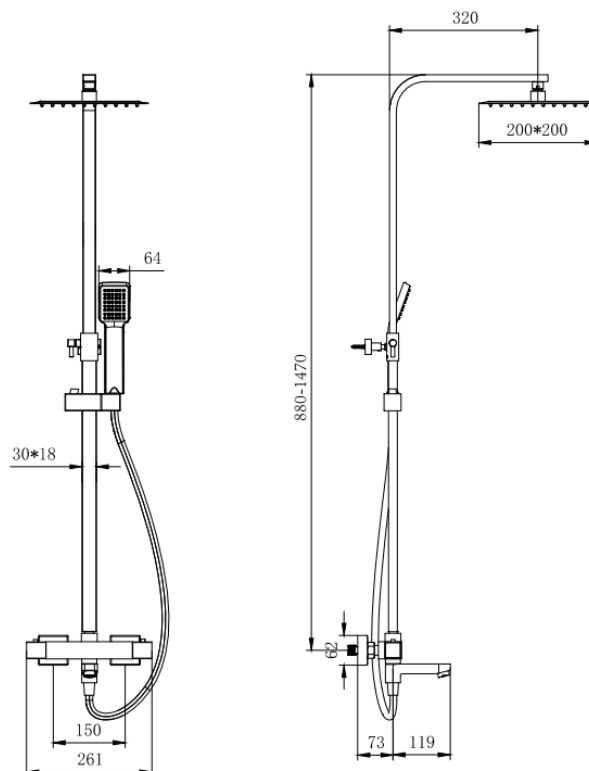


SHO031PU- Pure Thermostatic Bar Shower with rigid riser and bath filler spout
BAR CODE: 5055681429263
COLOUR: CHROME
WEIGHT:
NET 4.2 kg
GROSS 5.8 kg
STANDARDS: BS EN 1111
NOTES:
SUITABLE FOR PRESSURES BETWEEN 0.2 - 5 BAR
HOT & COLD PRESSURES MUST BE BALANCED
SUITABLE FOR COMBI- BOILERS, UNVENTED MAINS
PRESSURE SYSTEMS AND GRAVITY FED SYSTEMS
SUITABLE FOR SHOWER PUMPS
ANTI SCALD (THERMO STOP SET AT 38°C)
OVER HEAD SS DRENCHER/ SINGLE FUNCTION HAND SET
Flow Rate:


| 0.2 bar | 0.5 bar | 1 bar | 2 bar | 3 bar | 5 bar |
|---------|---------|-------|-------|-------|--------|
| 5.5 L | 8.4 L | 13 L | 18.7L | 22.7L | 29.6 L |


BOX SIZE 970X390X118X95