

SHO1430T- Fixed Overhead Drencher Brushed Brass

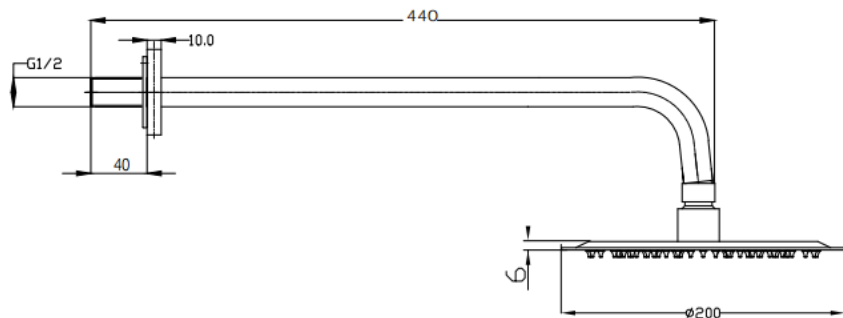
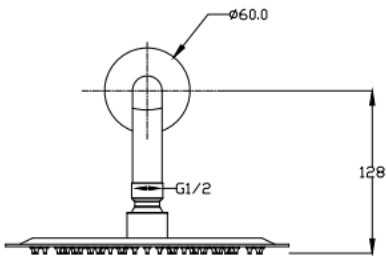
BAR CODE: 5055681439255

COLOUR: BRUSHED BRASS

WEIGHT:

NET 2 kg

GROSS 2.3 kg



BOX SIZE 467X255X90