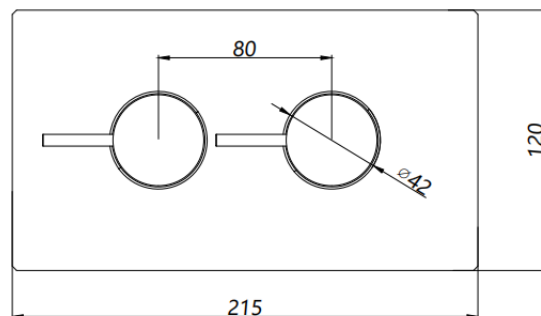
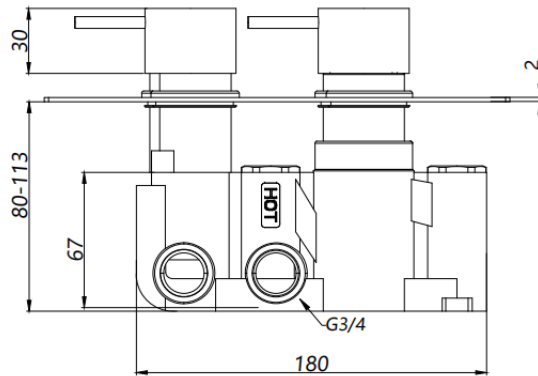


SHO142OT- Ottone Concealed Therm. Shower Valve with Diverter Brushed Brass

BAR CODE:5055681439248
COLOUR: BRUSHED BRASS
WEIGHT:
NET 2.5 kg
GROSS 2.86 kg
STANDARDS: BS EN 1111
NOTES:
SUITABLE FOR PRESSURES BETWEEN 0.2 - 5 BAR
HOT & COLD PRESSURES MUST BE BALANCED
SUITABLE FOR COMBI- BOILERS, UNVENTED MAINS
PRESSURE SYSTEMS AND GRAVITY FED SYSTEMS
SUITABLE FOR SHOWER PUMPS
Flow Rate:

0.2 bar	0.5 bar	1 bar	2 bar	3 bar	5 bar
5.1 L	7.6L	11.6 L	17 L	21 L	25.9 L


BOX SIZE 263x165x160