

SHO052NR- NERO ROUND THERMOSTATIC EXPOSED BAR SHOWER WITH OVERHEAD DRENCHER AND SLIDING HANDSET



BAR CODE: 5055681434335

COLOUR: MATT BLACK

WEIGHT:

NET 3.4kg

GROSS 4.7 kg

STANDARDS: BS EN 1111

NOTES:

SUITABLE FOR PRESSURES BETWEEN 0.2 - 5 BAR

HOT & COLD PRESSURES MUST BE BALANCED

SUITABLE FOR COMBI- BOILERS, UNVENTED MAINS

PRESSURE SYSTEMS AND GRAVITY FED SYSTEMS

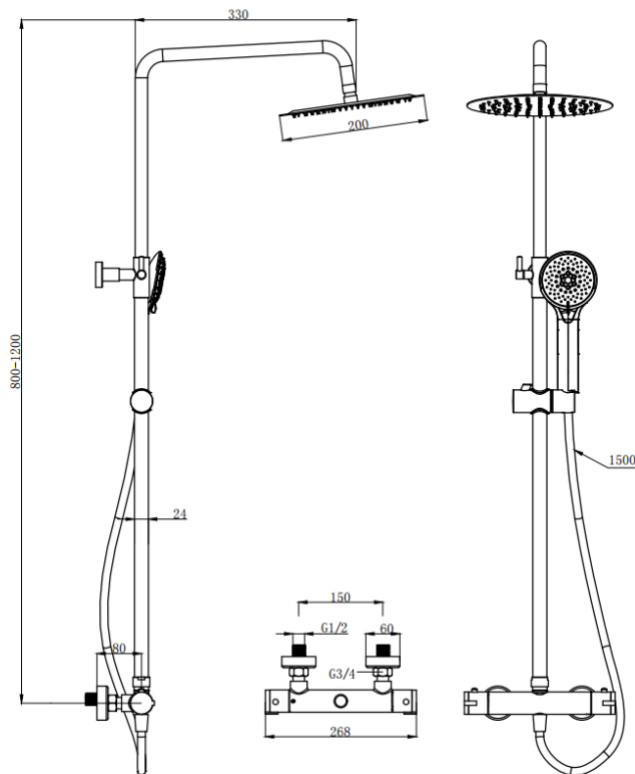
SUITABLE FOR SHOWER PUMPS

ANTI SCALD (THERMO STOP SET AT 38°C)

OVER HEAD SS DRENCHER/ MULTI- FUNCTION HAND

SET Flow Rate:

0.2 bar	0.5 bar	1 bar	2 bar	3 bar	5 bar
7 L	9.2 L	13.6 L	19.6 L	24.4 L	30.9 L



BOX SIZE 830X380X150X90