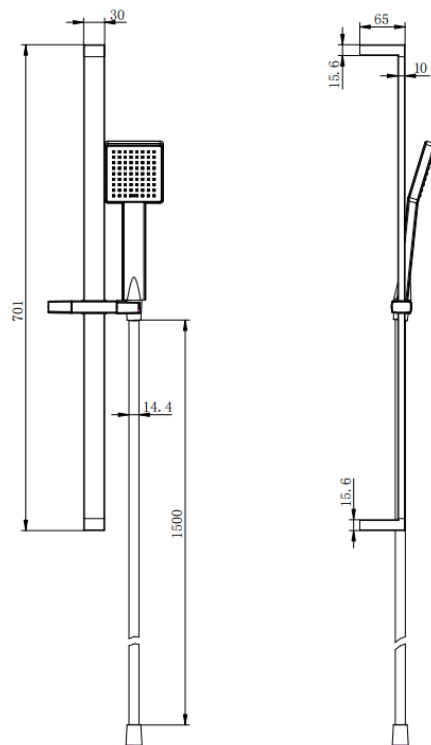


SHO058NS- Nero Square Slide Rail Kit Matt Black**BAR CODE: 5055681437893****COLOUR: MATT-BLACK****WEIGHT:****NET 0.6 kg****GROSS 0.93 kg****BOX SIZE 690X160X90**