

**SHO011PL- Plan Thermostatic Bar Shower with rigid riser and bath filler spout**

BAR CODE: 5055681424947

COLOUR: CHROME

**WEIGHT:**

NET 3.9 kg

GROSS 5.5 kg

STANDARDS: BS EN 1111

**NOTES:**

SUITABLE FOR PRESSURES BETWEEN 0.2 - 5 BAR

HOT & COLD PRESSURES MUST BE BALANCED

SUITABLE FOR COMBI- BOILERS, UNVENTED MAINS

PRESSURE SYSTEMS AND GRAVITY FED SYSTEMS

SUITABLE FOR SHOWER PUMPS

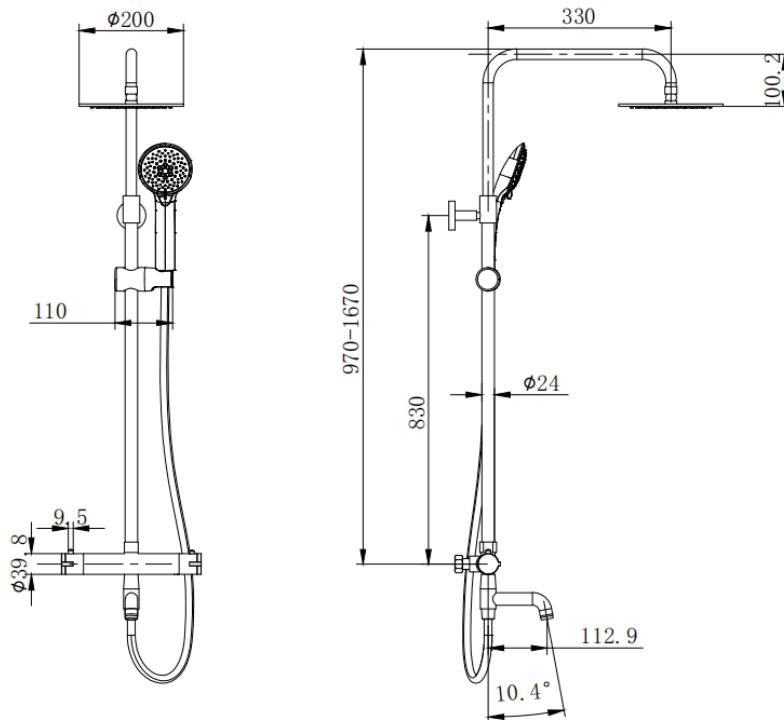
ANTI SCALD (THERMO STOP SET AT 38°C)

OVER HEAD SS DRENCHER/ MULTI- FUNCTION HAND

SET Flow Rate:



0.2 bar	0.5 bar	1 bar	2 bar	3 bar	5 bar
5.5 L	7.4 L	11.8 L	16.5 L	19 L	23.5 L



BOX SIZE 970X390X118X95