

SHO008PL- Plan Twin Round Push Button Concealed Thermostatic Shower Valve

BAR CODE: 5055681430290

COLOUR: CHROME

WEIGHT:

NET 2.65 kg

GROSS 2.96 kg

STANDARDS: BS EN 1111

NOTES:

SUITABLE FOR PRESSURES BETWEEN 0.2 - 5 BAR

HOT & COLD PRESSURES MUST BE BALANCED

SUITABLE FOR COMBI- BOILERS, UNVENTED MAINS

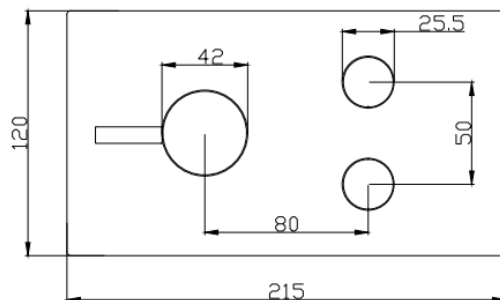
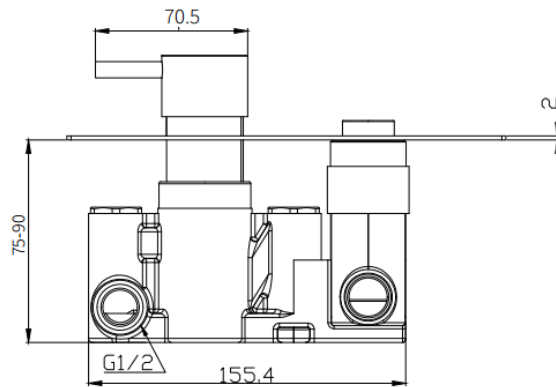
PRESSURE SYSTEMS AND GRAVITY FED SYSTEMS

SUITABLE FOR SHOWER PUMPS

Flow Rate:



0.2 bar	0.5 bar	1 bar	2 bar	3 bar	5 bar
4 L	5.2L	10.4 L	16.5 L	20.3 L	24.5 L



BOX SIZE 263X165X160