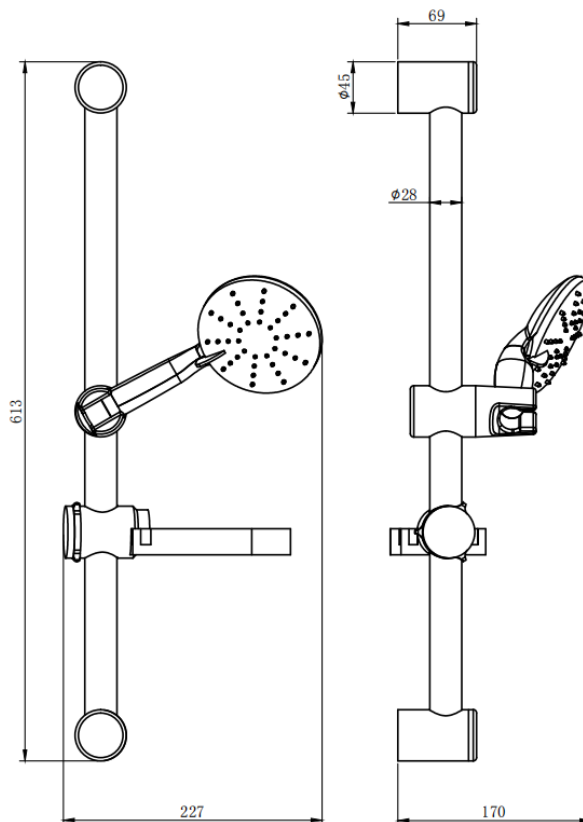


SHO080DE- Deluge Slide Rail Kit**BAR CODE: 5055681401634****COLOUR: CHROME****WEIGHT:****NET 0.75 kg****GROSS 1.09 kg****BOX SIZE 690X160X90**