

SHO037PL- Plan exposed thermostatic shower valve



BAR CODE: 5055681401573

COLOUR: CHROME

WEIGHT:

NET 2.1 kg

GROSS 2.4 kg

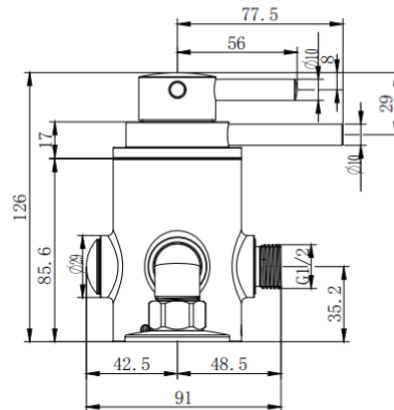
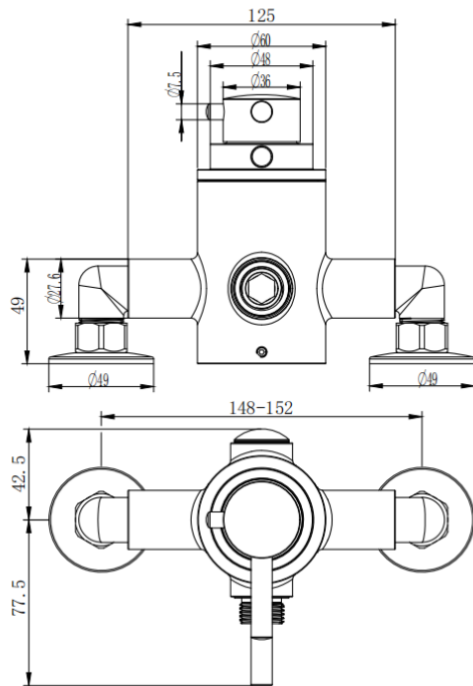
STANDARDS: BS EN 1111

NOTES:

- SUITABLE FOR PRESSURES BETWEEN 0.2 - 5 BAR
- HOT & COLD PRESSURES MUST BE BALANCED
- SUITABLE FOR COMBI- BOILERS, UNVENTED MAINS PRESSURE SYSTEMS AND GRAVITY FED SYSTEMS
- SUITABLE FOR SHOWER PUMPS
- ANTI SCALD (THERMO STOP SET AT 38°C)

Flow Rate:

0.2 bar	0.5 bar	1 bar	2 bar	3 bar	5 bar
6 L	9.2 L	13.6 L	18.2 L	22.8 L	26.8 L



BOX SIZE 230X161X220