

SHO029PR- Pure Thermostatic Bar Shower with Adjustable Slide Rail Kit



BAR CODE: 5055681430276

COLOUR: CHROME

WEIGHT:

NET 2.2 kg

GROSS 2.6 kg

STANDARDS: BS EN 1111

NOTES:

SUITABLE FOR PRESSURES BETWEEN 0.2 - 5 BAR

HOT & COLD PRESSURES MUST BE BALANCED

SUITABLE FOR COMBI- BOILERS, UNVENTED MAINS

PRESSURE SYSTEMS AND GRAVITY FED SYSTEMS

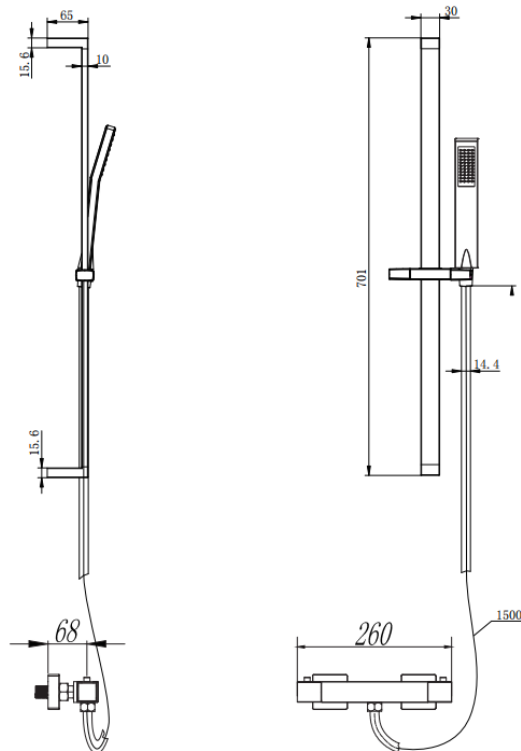
SUITABLE FOR SHOWER PUMPS

ANTI SCALD (THERMO STOP SET AT 38°C)

SINGLE FUNCTION HAND SET

Flow Rate:

0.2 bar	0.5 bar	1 bar	2 bar	3 bar	5 bar
6 L	8.2 L	12.3 L	18.3 L	22.5 L	27.4 L



BOX SIZE 690X160X90