

**SHO042KL- Klassique concealed thermostatic shower valve**

**BAR CODE:** 5055681401580

**COLOUR:** CHROME

**WEIGHT:**

**NET** 2.37 kg

**GROSS** 2.73 kg

**STANDARDS:** BS EN 1111

**NOTES:**

**SUITABLE FOR PRESSURES BETWEEN 0.2 - 5 BAR**

**HOT & COLD PRESSURES MUST BE BALANCED**

**SUITABLE FOR COMBI- BOILERS, UNVENTED MAINS**

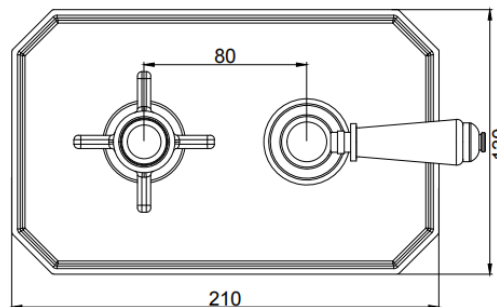
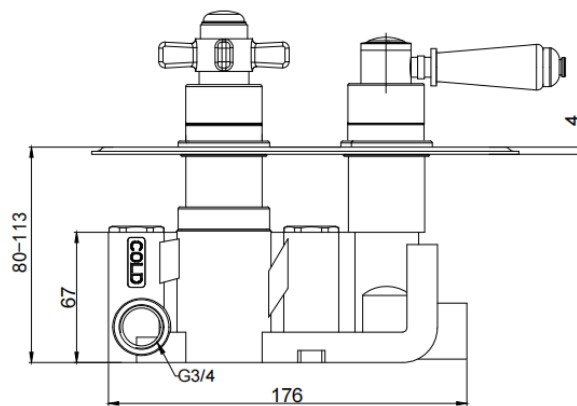
**PRESSURE SYSTEMS AND GRAVITY FED SYSTEMS**

**SUITABLE FOR SHOWER PUMPS**

**Flow Rate:**



0.2 bar	0.5 bar	1 bar	2 bar	3 bar	5 bar
5.7 L	9.6 L	13.6 L	19.8 L	24.5 L	28.5 L



**BOX SIZE 263x165x160**