

SHO032VI- Viktory concealed thermostatic shower valve



BAR CODE: 5055681401542

COLOUR: CHROME

WEIGHT:

NET 2.37 kg

GROSS 2.73 kg

STANDARDS: BS EN 1111

NOTES:

SUITABLE FOR PRESSURES BETWEEN 0.2 - 5 BAR

HOT & COLD PRESSURES MUST BE BALANCED

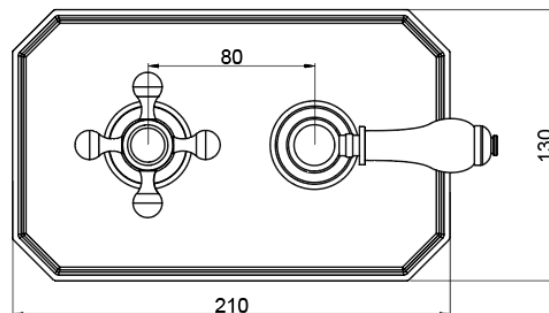
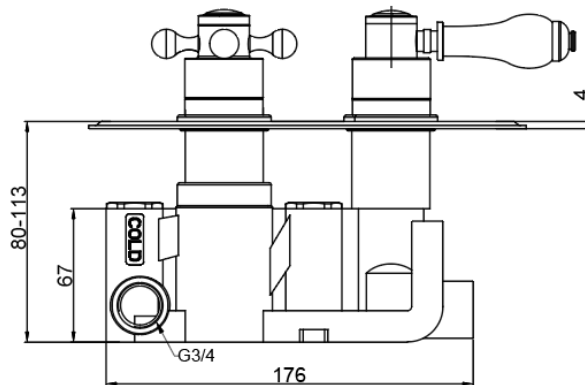
SUITABLE FOR COMBI- BOILERS, UNVENTED MAINS

PRESSURE SYSTEMS AND GRAVITY FED SYSTEMS

SUITABLE FOR SHOWER PUMPS

Flow Rate:

0.2 bar	0.5 bar	1 bar	2 bar	3 bar	5 bar
5.7 L	9.6 L	13.6 L	19.8 L	24.5 L	28.5 L



BOX SIZE 263x165x160