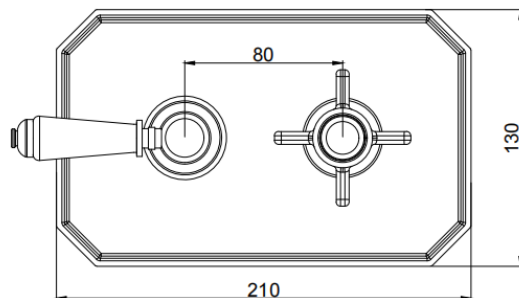
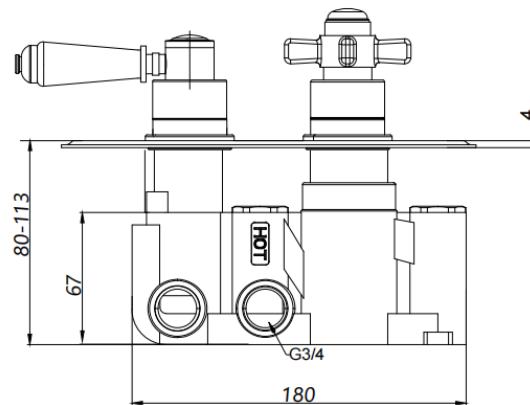


**SHO043KL- Klassique concealed thermostatic shower valve+diverter**

**BAR CODE: 5055681401597**
**COLOUR: CHROME**
**WEIGHT:**
**NET 2.5 kg**
**GROSS 2.86 kg**
**STANDARDS: BS EN 1111**
**NOTES:**
**SUITABLE FOR PRESSURES BETWEEN 0.2 - 5 BAR**
**HOT & COLD PRESSURES MUST BE BALANCED**
**SUITABLE FOR COMBI- BOILERS, UNVENTED MAINS**
**PRESSURE SYSTEMS AND GRAVITY FED SYSTEMS**
**SUITABLE FOR SHOWER PUMPS**
**Flow Rate:**

0.2 bar	0.5 bar	1 bar	2 bar	3 bar	5 bar
5.1 L	7.6L	11.6 L	17 L	21 L	25.9 L


**BOX SIZE 263x165x160**