

Klassique

Bath Shower Mixer TAP106KL

3/4" BSP connections

Traditional cross-head handle and body

Suitable for low water pressure systems

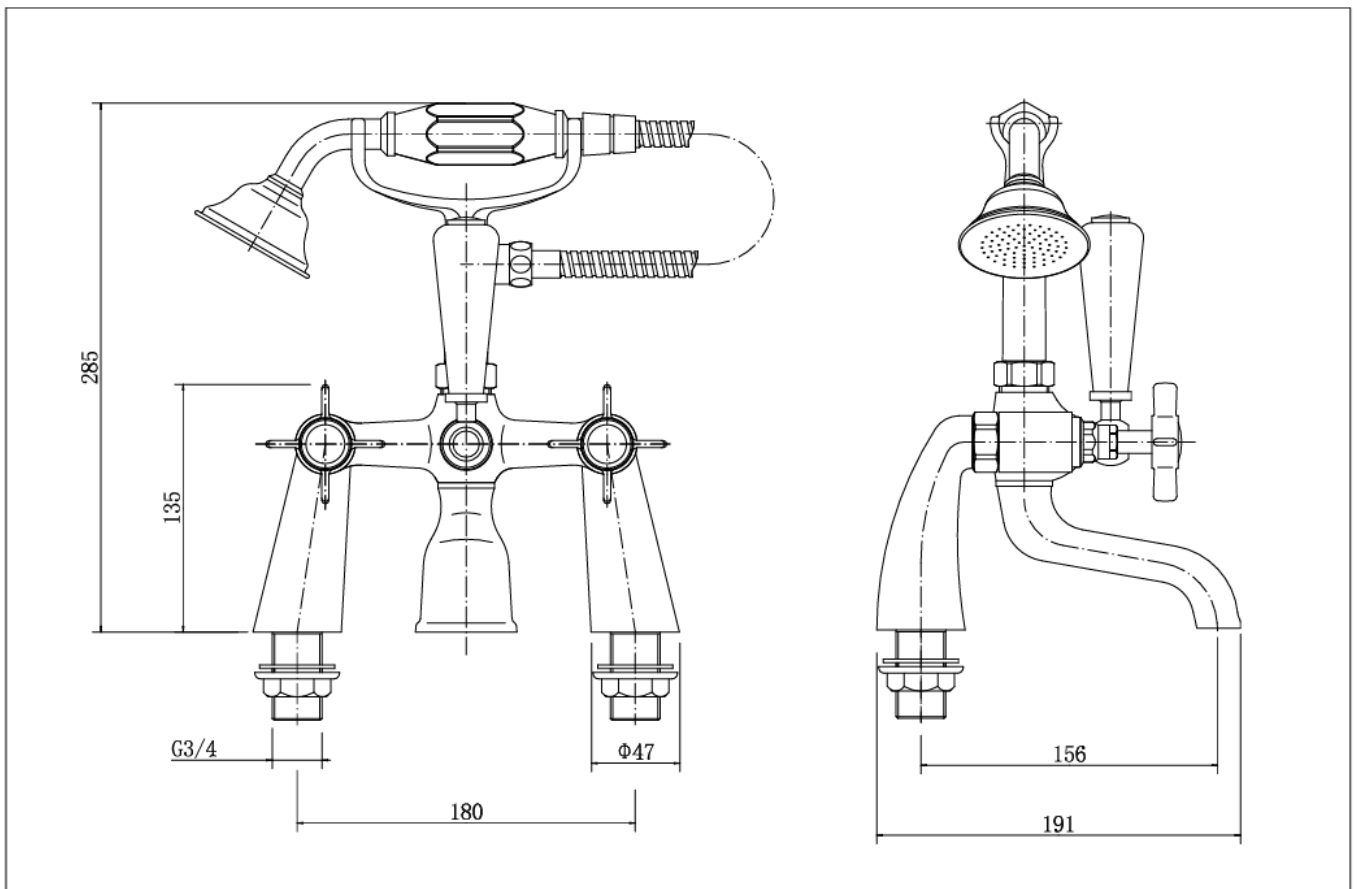
Supplied with clicker waste



Technical drawing

Flow Rate: L.P

0.2bar	0.5bar	1bar	2bar	3bar
14L/min	21.5L/min	29.7L/min	41.9L/min	51.1L/min



BOX SIZE 250 x 210x 210mm