

Alpha

1/2" H.N Sink Taps (Pair)

TAP162AL

Waste sold separately

Suitable for low water pressure systems

Ceramic disc cartridge and quarter turn operation for ease of use

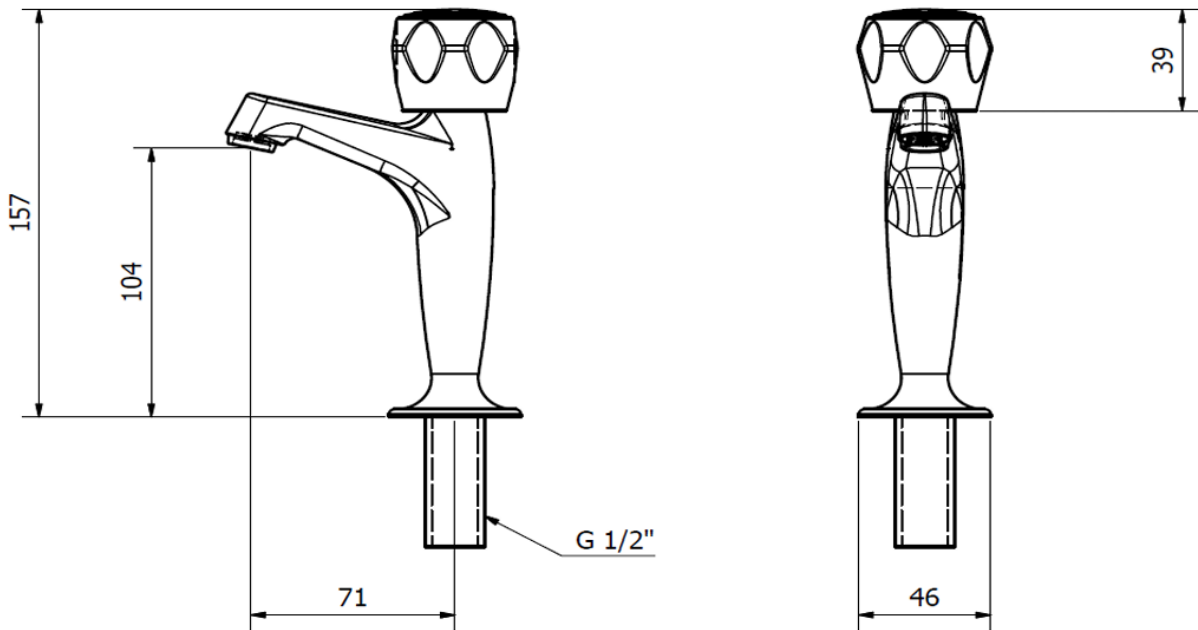
1/2" BSP flexi hoses



Technical drawing

Flow Rate: L.P

0.2bar	0.5bar	1bar	2bar	3bar
5.5L/min	8.4L/min	12.7L/min	16.8L/min	20.8L/min



BOX SIZE 260 x 170 x 50 mm