

Leva

3/4" Bath Taps (Pair)

TAP171LE

Waste sold separately

Suitable for low water pressure systems

Ceramic disc cartridge

Quarter turn operation for ease of use

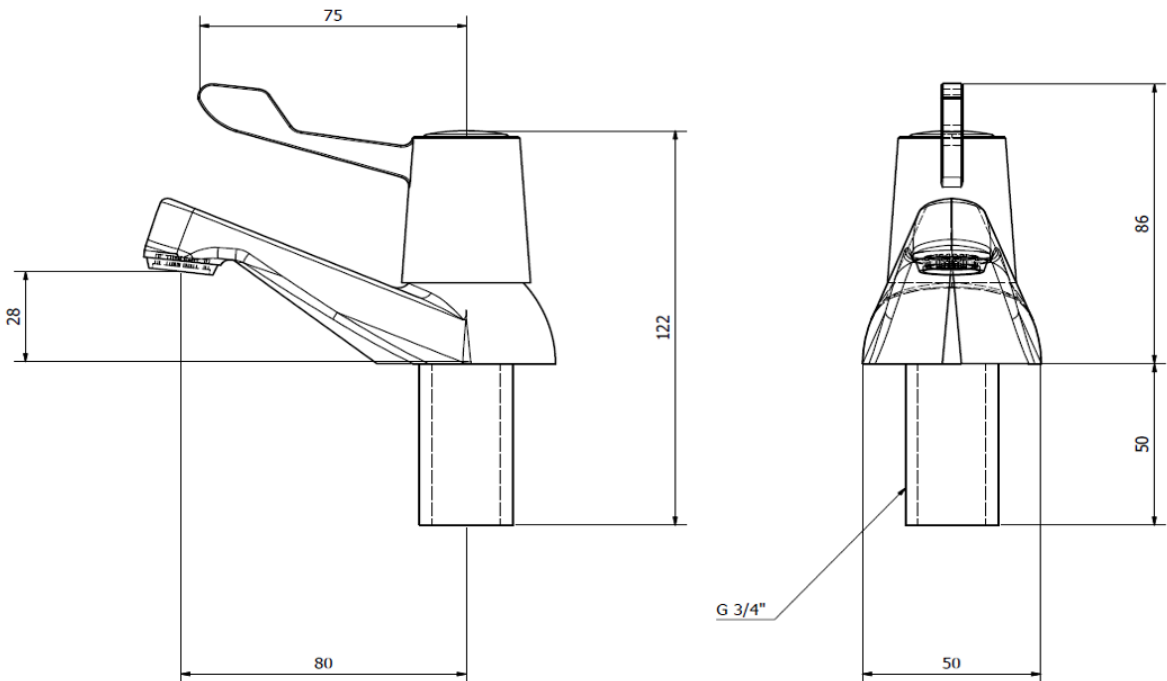
3/4" BSP connections



Technical drawing

Flow Rate: M.P

0.2bar	0.5bar	1bar	2bar	3bar
5.5L/min	8.4L/min	12.7L/min	16.8L/min	20.8L/min



BOX SIZE 220 x 150 x 60 mm