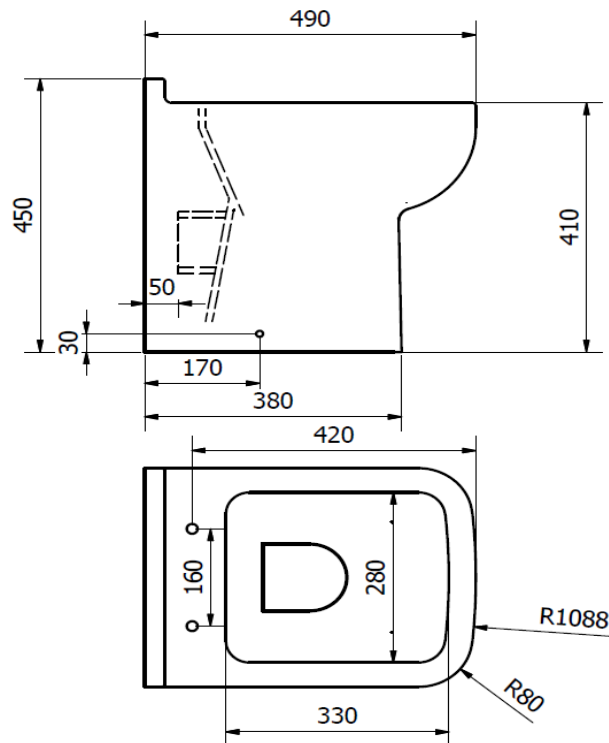
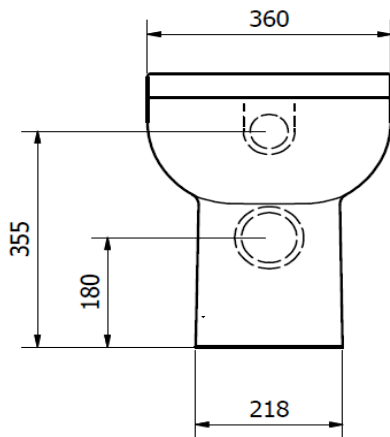


OPTIONS 600 BTW PAN & SEAT

ILLUSTRATION: OPTIONS BTW PAN
CODE: BTW PAN - POT0710P
SOFT CLOSE SEAT - POT0820P
PREMIUM S/C SEAT - POT0840P
COLOUR: WHITE

WEIGHT:	WC PAN	SEAT	P SEAT
NET:	25.5 KG	1.4 KG	2.3 KG
GROSS:	26.5 KG	1.6 KG	2.5 KG
STANDARDS:	BS EN 997 WCs BS 3402		

NOTES:
VITREOUS CHINA
WATER SAVING 6/4 LITRE FLUSH
SOFT CLOSE SEAT WITH QUICK RELEASE TOP FIX HINGE



BOX SIZES :- WC PAN = 380 X 480 X 520 mm / SEAT = 450 X 370 X 55 mm