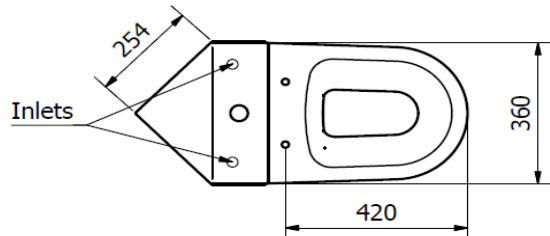
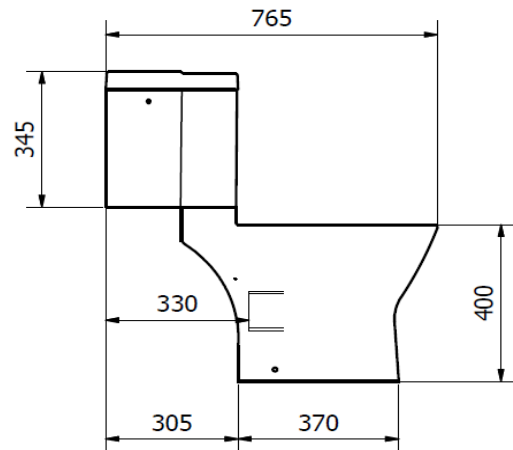
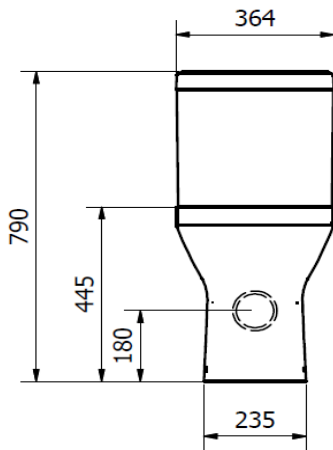


**PROJECT ROUND C/C PAN, SEAT & CORNER CISTERN**

**ILLUSTRATION: PROJECT ROUND C/C PAN & CISTERN**
**CODE: C/C WC PAN - POT869PR  
C/C CISTERN - POT456SE  
SOFT CLOSE SEAT - POT870PR**
**COLOUR: WHITE**

WEIGHT:	WC PAN	CISTERN	SEAT
NET:	26.0 KG	13.5 KG	1.6 KG
GROSS:	27.5 KG	14.5 KG	1.9 KG

**STANDARDS: BS EN 997 WCs (Class 2)  
BS EN 14055:2010 FLUSHING CISTERNS  
BS 3402**
**NOTES:  
VITREOUS CHINA  
WATER SAVING 6/4 LITRE FLUSH  
SOFT CLOSE SEAT WITH QUICK RELEASE TOP FIX HINGE**

**BOX SIZES :- WC PAN = 370 X 490 X 600 mm / CISTERN = 380 X 380 X 320 mm / SEAT = 450 X 370 X 55 mm**