

G4K

Bath Filler TAP111G4K

Supplied with click waste

3/4" BSP connections

Suitable for low water pressure systems

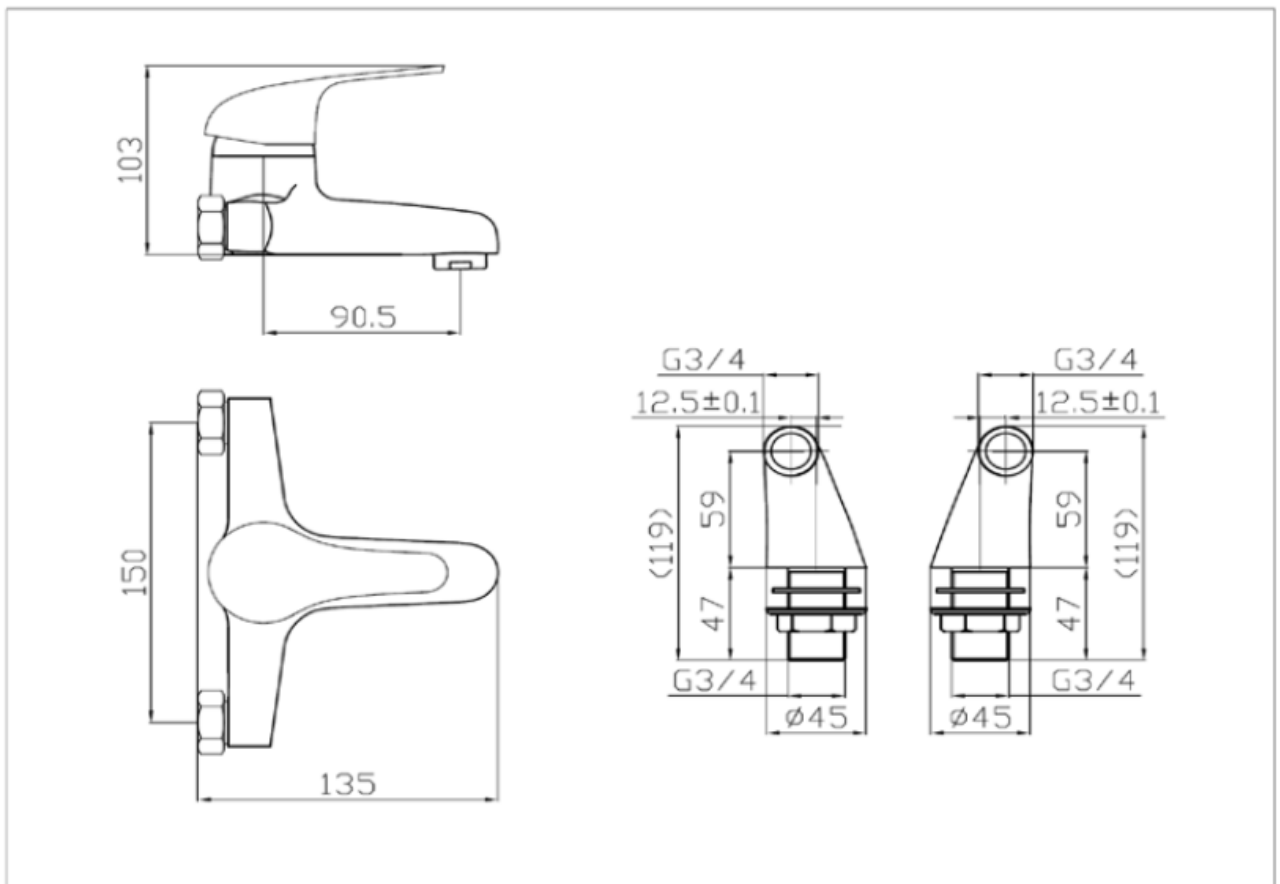
Brass construction with chrome plated finish



Technical drawing

Flow Rate: L.P

0.2bar	0.5bar	1bar	2bar	3bar
11L/min	17.2L/min	24.3L/min	34 L/min	



BOX SIZE 200 x 160 x 120 mm