

### PURE C/C PAN, SEAT & CORNER CISTERN



ILLUSTRATION: PURE C/C PAN

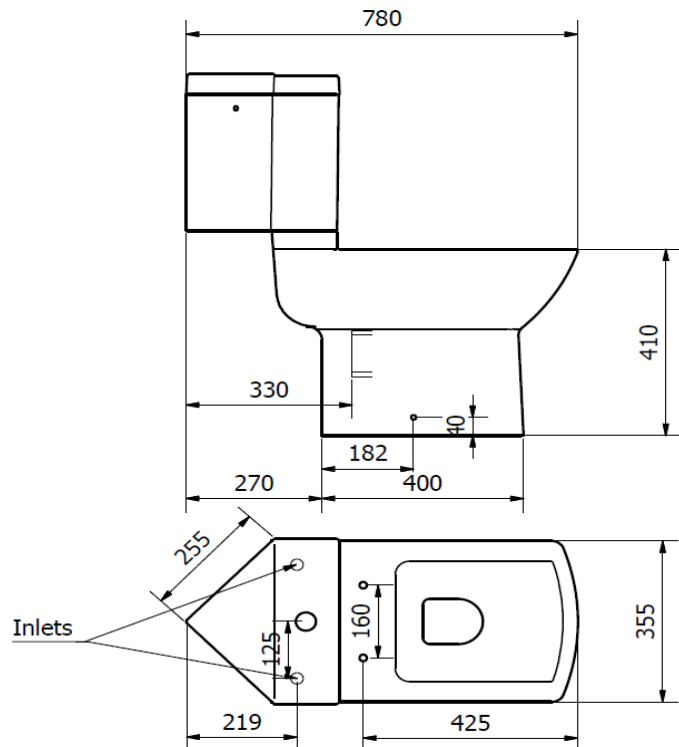
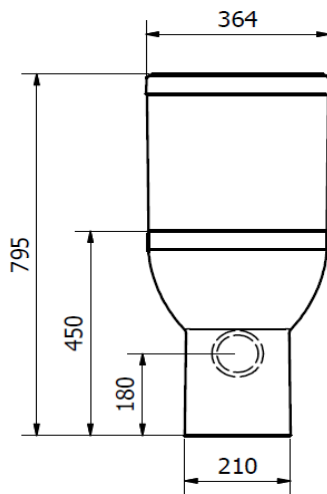
CODE: C/C WC PAN - POT263PU  
 C/C CISTERN - POT456SE  
 SOFT CLOSE SEAT - POT265PU

COLOUR: WHITE

WEIGHT:	WC PAN	CISTERN	SEAT
NET:	25.5 KG	13.5 KG	1.8 KG
GROSS:	26.5 KG	14.5 KG	2.1 KG

STANDARDS: BS EN 997 WCs  
 BS EN 14055 FLUSHING CISTERNS  
 BS 3402

NOTES:  
 VITREOUS CHINA  
 SHORT PROJECTION  
 WATER SAVING 6/4 LITRE FLUSH  
 SOFT CLOSE SEAT WITH QUICK RELEASE TOP FIX HINGE



BOX SIZES :- WC PAN = 370 X 450 X 630 mm / CISTERN = 380 X 380 X 320 mm