



TECHNICAL DATA SHEET

PRODUCT

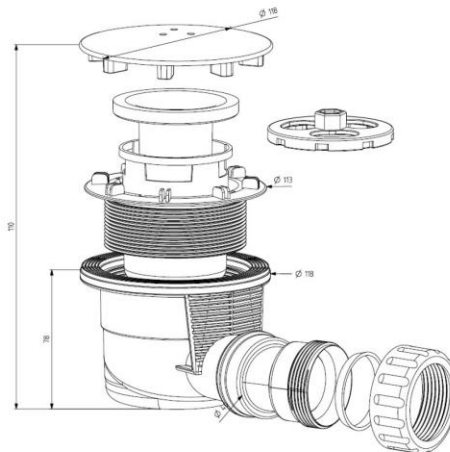
ANTI-SLIP HYBRID SHOWER TRAY



SPECIFICATION

- **FINISH :** ABS CAPPED ACRYLIC
- **PRODUCT TYPE :** SANITARY WARE
- **CONSTRUCTION :** STONE RESIN
- **OUTLET DIAMETER :** 90mm
- **OUTLET FLANGE DIAMETER:** 110 - 120mm
- **PRODUCT HEIGHT :** 45mm (140mm ON RISER KIT)
- **GUARANTEE PERIOD :** 12 MONTHS
- **FITTING :** INSTRUCTIONS INCLUDED WITH PRODUCT
- **OPTIONAL PANEL KIT :** YES
- **ANTI-SLIP RATING:** CLASS C SLIP RATING

WASTE TRAP INCLUDE



- **FINISH :** ABS, POLYPROPYLENE, PVC SEALS, STEEL
- **FLOW RATE :** 48 LITRES / MIN
- **OUTLET :** 40mm PIPE WORK (1 1/2" - BS 522 UK PIPE SIZE)
- **STANDARDS :** BS EN 274-1 : 2002
- **CLEANABILITY :** TOP ACCESS CAPABLE FOR EASY CLEANING

