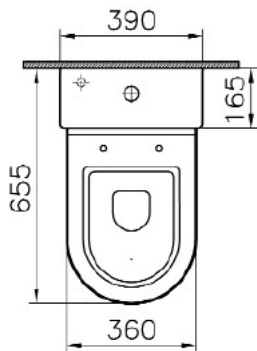
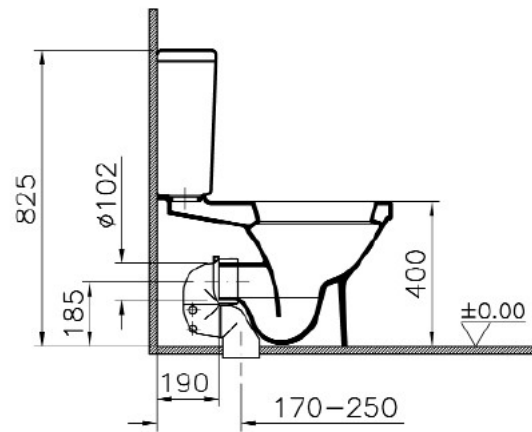


1

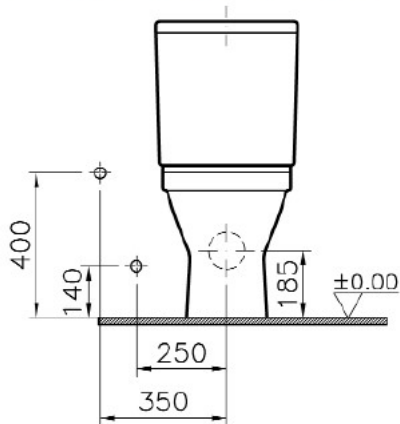


2



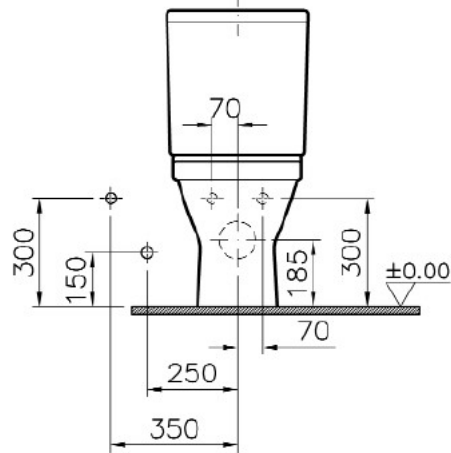
FOOT PRINT 540X250MM (CURVE STARTS AT 400MM)

3



Standart baglanti
Standard connection
Standard Verbindung

4



Gizli baglanti
Concealed connection
versteckte Verbindung

2009 - Rev.1