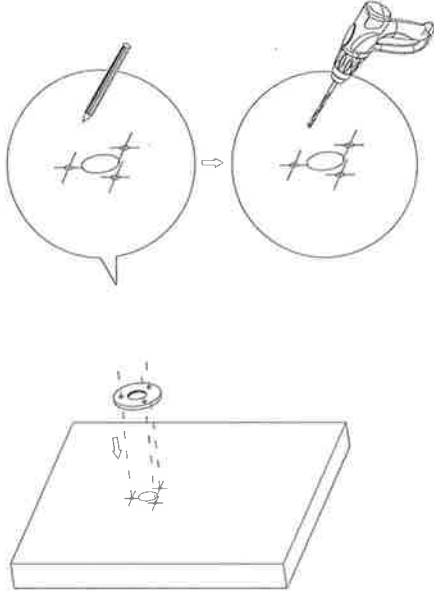
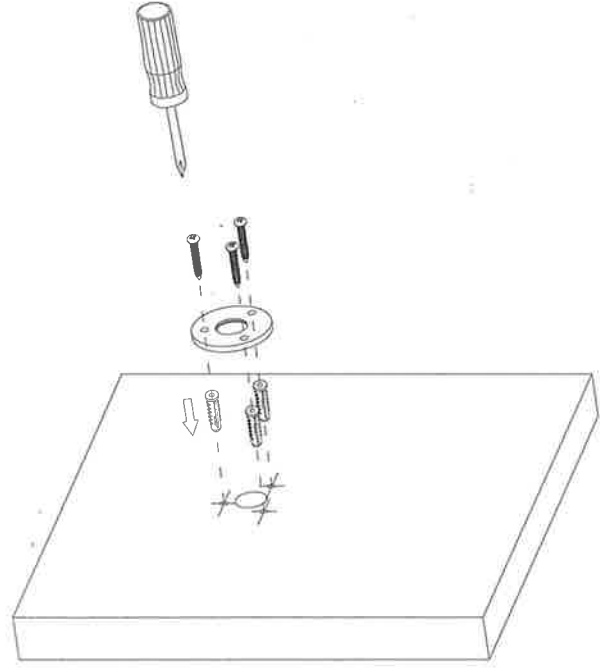


Installation Manual

- 1 Mark out the 3 fixing holes for the wall bracket around the center hole on the pipe work.



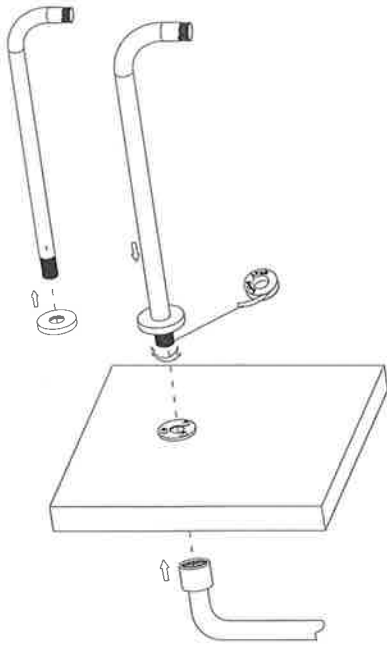
- 2 Fix bracket to the wall - please note different fixings can be purchased from your local DIY Store for dry or stud walls.



INSTALLATION PROCEDURE

3

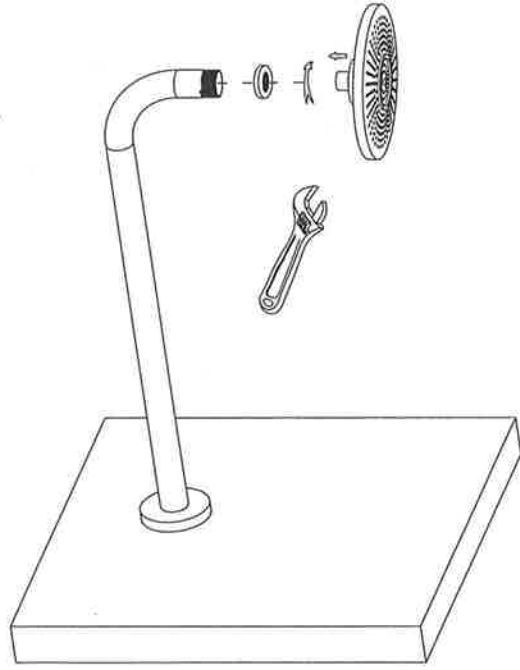
First screw the cover plate onto the shower arm and then screw the arm into the ceiling bracket and connect to the pipe work in the ceiling.



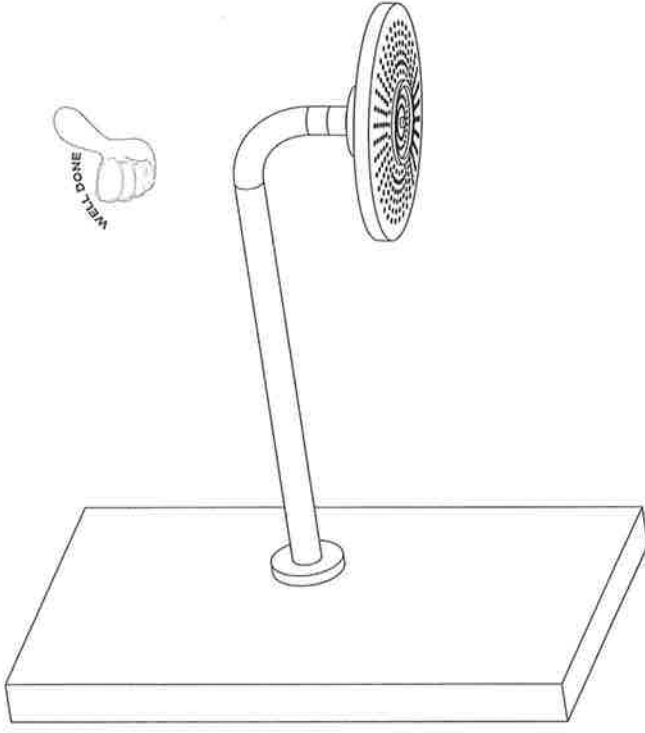
Please consult a qualified plumber for advice on pipe work if required.

4

insert washer into shower head and screw head onto arm.



Please consult a qualified plumber for advice on pipe work if required.



AFTER INSTALLATION

Ensure that all connections are tight. Ensure that the handle is in the opposition. Turn on the drain and main water supply, and check for leaks. Repair as needed.

CARE & CLEANING

Your new shower is designed for years of trouble-free performance. Keep it looking new by cleaning it periodically with mild soap, rinse thoroughly with warm water and dry with a clean, soft cloth. Do not use abrasive cleaners, steel wool or harsh chemicals, as these will dull the finish. Failure to follow these instructions may void your warranty.