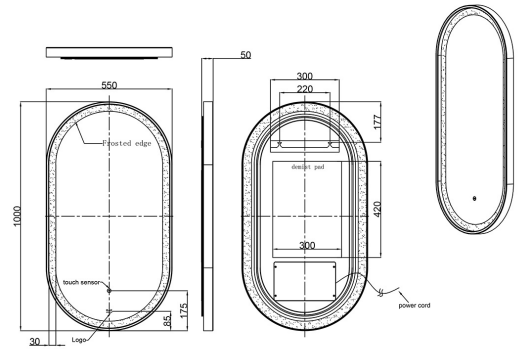


RAK-PICTURE OVAL – RAKPICOVBN5002
RAK-PICTURE OVAL – RAKPICOVBN5002 Mirrors and Lights

RAK
 CERAMICS



TECHNICAL SPECIFICATIONS

Type:	RAK-PICTURE OVAL – RAKPICOVBN5002
Dimensions:	1000 x 550 x 50 mm
Color:	Mirror
Light:	Yes
Cable:	NA

Code	Name
RAKPICOVBN5002	RAK-PICTURE OVAL – 550 x 1000 Oval Mirror – nickel

Dimensions: All dimensions in mm. Tolerance of vitreous china & fireclay items: $\pm 5\%$ for below 200mm and $\pm 3\%$ for above 200mm; for all other items tolerance $\pm 1\%$. Note: Due to a continuing development program to improve design and performance, the manufacturer reserves all rights to vary specifications without prior information. Please note accessories are for photographic use only.